

## Single Coil Fan Motor Full Wave Driver

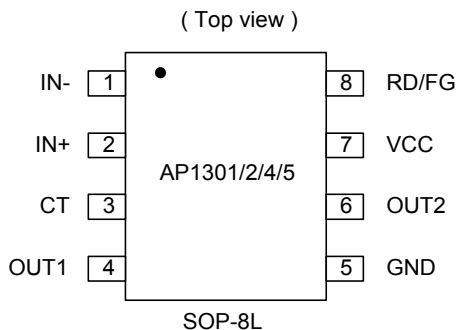
### ■ Features

- Compatible to a Hall element
- Operating voltage ( $V_{CC}$ ) : 4V to 20V
- Lock shutdown and automatic restart
- Speed indication output (FG) named as AP1301/4
- Rotation detection output (RD) named as AP1302/5
- Output current(AP1301/2)  $I_O=500mA_{(max)}$
- Output current(AP1304/5)  $I_O=350mA_{(max)}$
- Operating temperature ( $T_{opr}$ ) : -30°C to +85°C
- SOP-8L/ SOP-8L EP package
- Include Thermal Shutdown circuit

### ■ Application

- CPU cooling fans

### ■ Pin Assignment



### ■ General Description

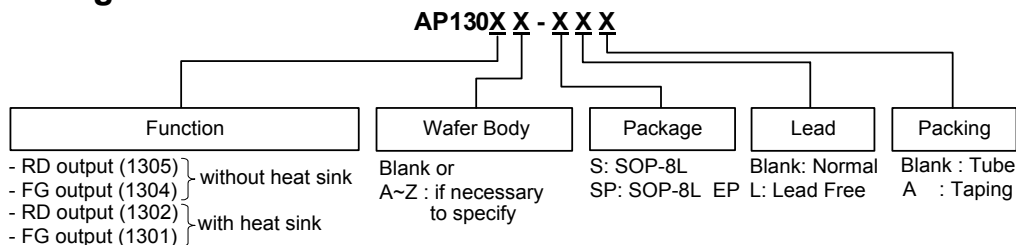
The AP1304/5 is single phase full wave drive design, which is suited for small fans (such as CPU cooling fans). The low switching noise and effective motor drive are another advantage. All functions, including lock shutdown, automatic restart, rotation detection (RD), and speed indication output (FG) have been incorporated into one chip. When the motor is under lock condition, lock shutdown function turns off the output current. When the lock condition is removed, the IC automatically restarts and allows DC fan to run. In addition, the RD function is to detect the motor status and the FG is to provide the rotation speed.

The AP1301/2 are heat sink version of AP1304/5. From function wise, AP1301 is the same as AP1304, and AP1302 is the same as AP1305.

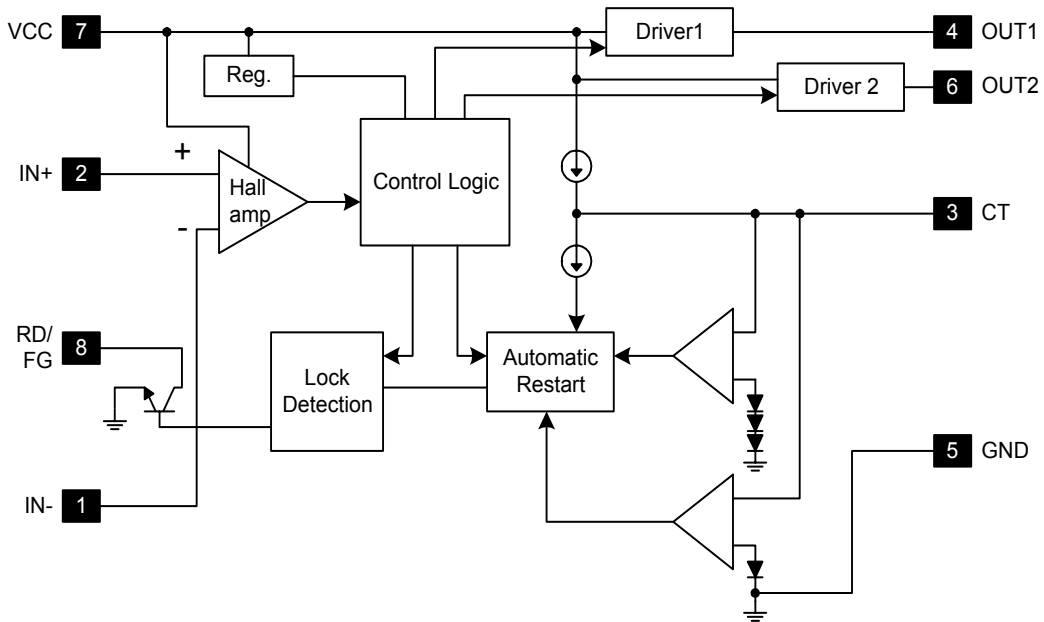
### ■ Pin Descriptions

Name	Description
VCC	Power input
IN+	Hall input
RD/FG	Rotation detection / Speed indication
IN-	Hall input
GND	Ground
CT	Timing capacitor
OUT2	Driver output
OUT1	Driver output

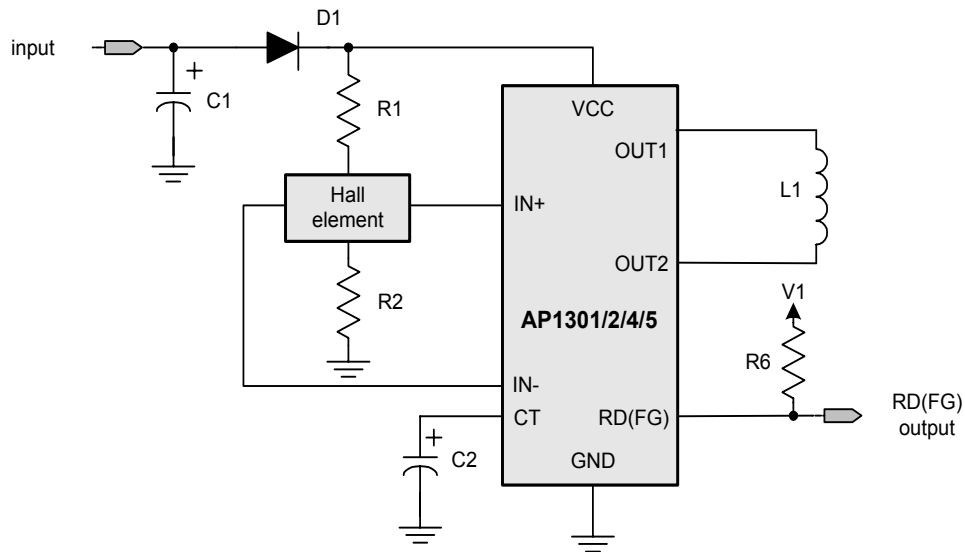
### ■ Ordering Information



### ■ Block Diagram



### ■ Application Circuit





# AP1301/2/4/5

## Single Coil Fan Motor Full Wave Driver

### ■ Absolute Maximum Ratings (T<sub>A</sub>=25°C)

Parameter	Symbol	Rating	Unit
Input voltage	V <sub>CC</sub>	20	V
Output current	I <sub>OUT</sub>	AP1304/5	350
		AP1301/2	500
Maximum output withstand voltage	V <sub>out</sub>	20	V
RD/FG maximum output withstand voltage	V <sub>r/Vf</sub>	20	V
RD/FG maximum output current	I <sub>r/I<sub>f</sub></sub>	5	mA
Allowable power dissipation	P <sub>D</sub>	AP1304/5	550*(note1)
		AP1301/2	1000
Operating temperature	T <sub>OPR</sub>	-30 to +85	°C
Storage temperature	T <sub>STG</sub>	-55 to +150	°C

\*note1 : Reduced by 5.5mW for each increase in Ta of 1°C over 25 °C

### ■ Electrical Characteristics (T<sub>A</sub>=25°C, V<sub>CC</sub>=5V, unless otherwise noted)

Parameter	Symbol	Conditions	Rating			Unit
			Min.	Typ.	Max.	
Power supply voltage	V <sub>CC</sub>		4	--	20	V
Hall input voltage (DC+AC)	V <sub>BH</sub>	Includes the amplitude of signal	0.2	--	V <sub>CC</sub> -1.5	V
Supply current	I <sub>CC</sub>	The output is off	--	6.5	10	mA
Charge current	I <sub>CHG</sub>	V <sub>CT</sub> = 1.5V	1.9	2.8	3.7	uA
Discharge current	I <sub>DHG</sub>	V <sub>CT</sub> = 1.5V	0.32	0.46	0.60	uA
Charge/discharge ratio	R <sub>CD</sub>	I <sub>GHG</sub> /I <sub>DCHG</sub>	5.0	6.0	7.0	--
Output Low Level Voltage	V <sub>ol</sub>	I <sub>o</sub> =200mA		0.2	0.3	V
Output High Level Voltage	V <sub>oh</sub>	I <sub>o</sub> =200mA	3.9	4.1		V
Hall input sensitivity	V <sub>HN</sub>	Zero peak value (including offset and hysteresis)		7	15	mV
RD/FG pin output low	V <sub>RDL</sub> , V <sub>fgl</sub>	I <sub>RD</sub> , I <sub>f<sub>g</sub></sub> = 5mA	--	0.1	0.3	V
RD/FG output pin leakage current	I <sub>rdl</sub> , I <sub>fgl</sub>	V <sub>rd</sub> , V <sub>f<sub>g</sub></sub> =15V			30	uA

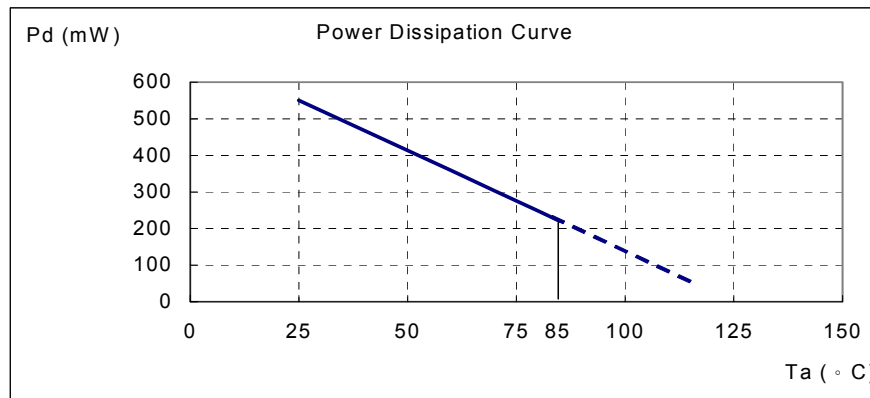
### Truth Table

IN-	IN+	CT	OUT1	OUT2	RD	FG	Mode
H	L	L	H	L	L	L	Rotating
L	H	L	L	H	L	H	Rotating
-	-	H	off	off	off	-	Lockup protection activated

Latch-type RD output is low during rotation and high during stop

### ■ Performance Characteristics (without heat sink AP1304/5)

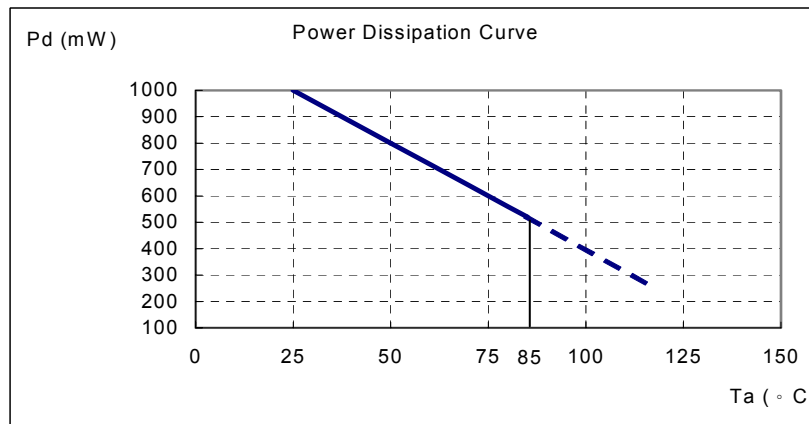
Ta (°C)	25	50	60	70	80	85	90	95	100	105	110	115	120
Pd (mW)	550	413	358	303	248	220	193	165	138	110	83	55	28



Note : SOP-8L package.

### ■ Performance Characteristics (with heat sink AP1301/2)

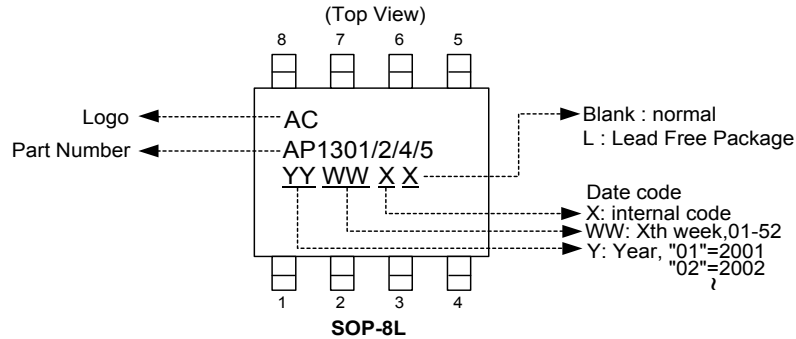
Ta (°C)	25	50	60	70	80	85	90	95	100	105	110	115	120
Pd (mW)	1000	800	720	640	560	520	480	440	400	360	320	280	240



Note : SOP-8L EP package.

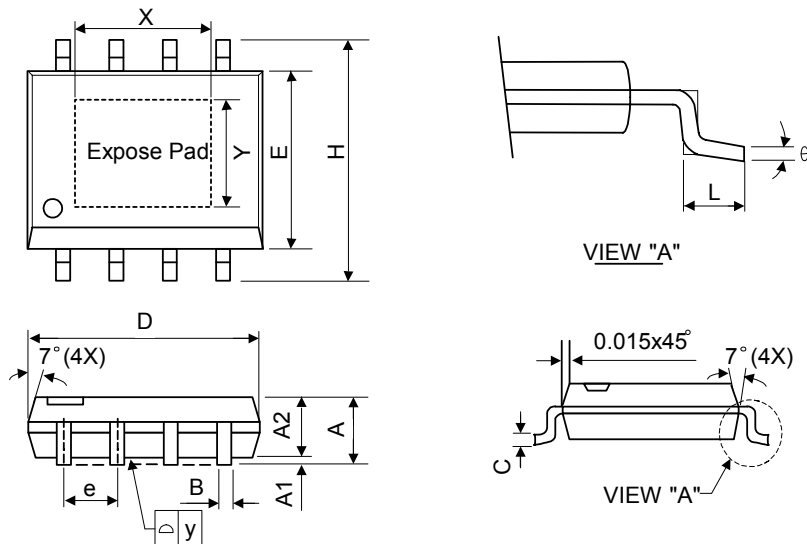
## Single Coil Fan Motor Full Wave Driver

### ■ Marking Information



### ■ Package Information

Package Type: SOP-8L ( Normal / Expose Pad )



Symbol	Dimensions In Millimeters			Dimensions In Inches		
	Min.	Nom.	Max.	Min.	Nom.	Max.
A	1.40	1.60	1.75	0.055	0.063	0.069
A1	0.10	-	0.25	0.040	-	0.100
A2	1.30	1.45	1.50	0.051	0.057	0.059
B	0.33	0.41	0.51	0.013	0.016	0.020
C	0.19	0.20	0.25	0.0075	0.008	0.010
D	4.80	5.05	5.30	0.189	0.199	0.209
E	3.70	3.90	4.10	0.146	0.154	0.161
e	-	1.27	-	-	0.050	-
H	5.79	5.99	6.20	0.228	0.236	0.244
L	0.38	0.71	1.27	0.015	0.028	0.050
y	-	-	0.10	-	-	0.004
θ	0°	-	8°	0°	-	8°

(Expose pad)

X	-	2.92	-	-	0.115	-
Y	-	2.34	-	-	0.092	-