

DECT Single-Chip Transceiver

Description

The T2801 is an RF IC for low-power DECT applications. The HP-VFQFP-N48-packaged IC is a complete transceiver including image rejection mixer, IF amplifier, FM demodulator, baseband filter, RSSI, TX preamplifier, power-ramping generator for power amplifiers, integrated synthesizer, fully integrated VCO, TX filter and

modulation compensation circuit for advanced closed-loop modulation concept. No mechanical tuning is necessary in production.

Electrostatic sensitive device.

Observe precautions for handling.



Features

- Supply-voltage range 3 V to 4.6 V (unregulated)
- Auxiliary-voltage regulator on-chip
- Low current consumption
- Few low cost external components
- No mechanical tuning required
- Non-blindslot and blindslot operation
- Unlimited multislot operation with advanced closed-loop modulation
- Supports multiple reference clocks (10.368 MHz/ 13.824 MHz/ 20.736 MHz)
- TX preamplifier with 0 dBm output power at 1.9 GHz and ramp-signal generator for SiGe power amplifier

Block Diagram

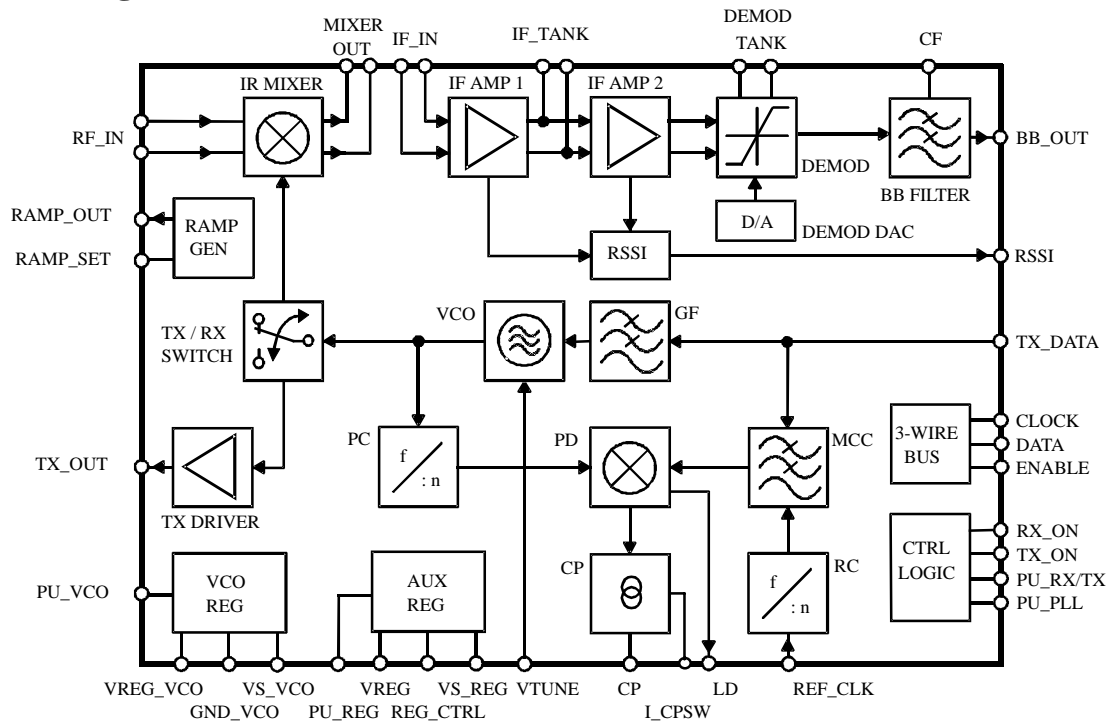


Figure 1. Block diagram

Ordering Information

Extended Type Number	Package	Remarks
T2801-PLH	HP-VFQFP-N48	Taped and reeled

Functional Block Description

Name	Description
AUX REG	Auxiliary voltage regulator
BBF	Baseband filter
CP	Charge pump
DAC	D/A converter for demodulator tuning
DEM0D	Demodulator
GF	Gaussian filter for transmit data
IF AMP1	1st intermediate frequency amplifier
IF AMP2	2nd intermediate frequency amplifier
IR MIXER	Image rejection mixer
MCC	Modulation compensation circuit

Name	Description
PC	Programmable counter
PD	Phase detector
RAMP GEN	Ramp-signal generator
RC	Reference counter
RSSI	Received signal-strength indicator
TX DRIVER	Buffer amplifier for TX_OUT
TX/RX SWITCH	Switches VCO signal to IR MIXER resp. TX DRIVER
VCO	Voltage-controlled oscillator
VCO REG	Voltage regulator for VCO

Pinning

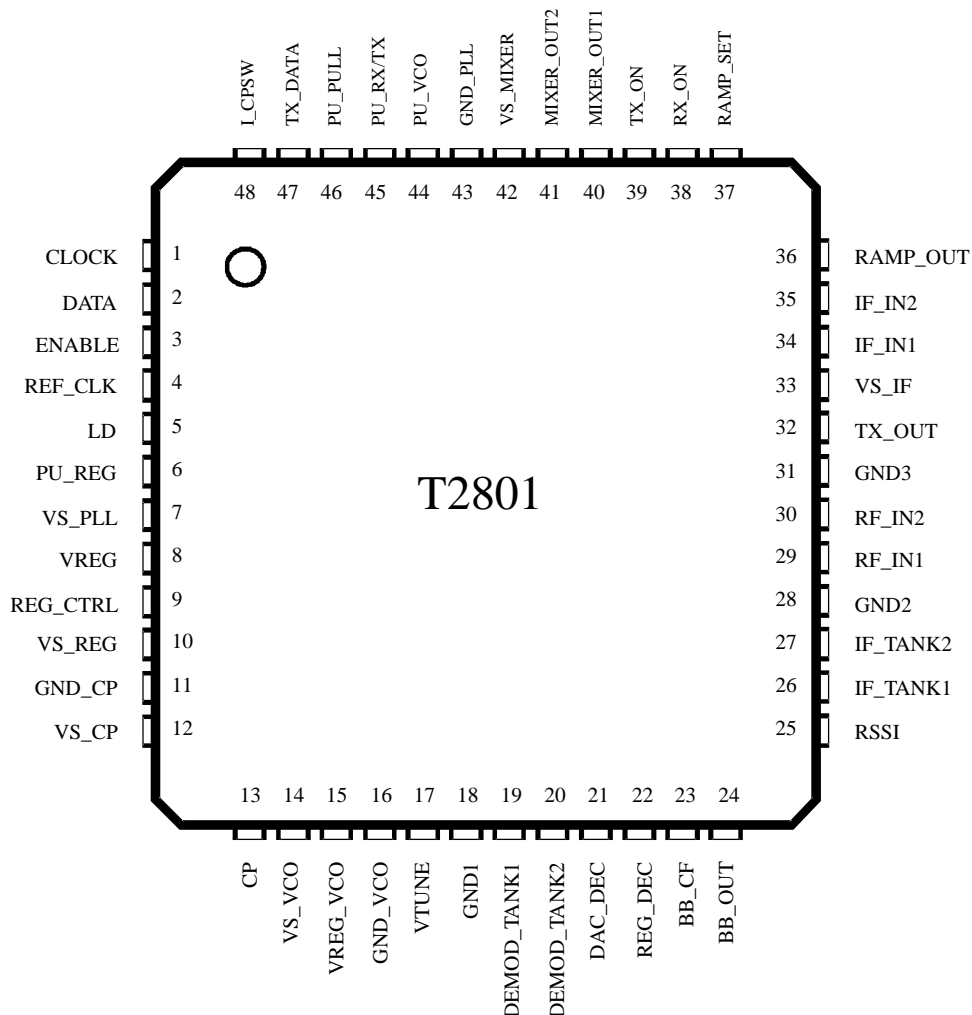


Figure 2. Pinning

Pin Description

Pin	Symbol	Function	Configuration
1	CLOCK	3-wire-bus: Clock input	
2	DATA	3-wire-bus: Data input	
3	ENABLE	3-wire-bus: Enable input	
4	REF_CLK	Reference-frequency input	
5	LD	Lock-detect output	
6	PU_REG	Power-up input for aux. voltage regulator	

Pin Description (continued)

Pin	Symbol	Function	Configuration
7	VS_PLL	PLL supply voltage	
8	VREG	Aux. voltage-regulator output	
9	REG_CTRL	Aux. voltage-regulator control output	
10	VS_REG	Aux. voltage-regulator supply voltage	
11	GND_CP	Charge-pump ground	
12	VS_CP	Charge-pump supply voltage	
13	CP	Charge-pump output	

Pin Description (continued)

Pin	Symbol	Function	Configuration
14	VS_VCO	VCO voltage-regulator supply voltage	
15	VREG_VCO	VCO voltage-regulator control output	
16	GND_VCO	VCO ground	
17	VTUNE	VCO tuning voltage input	
18	GND1	Ground	

Pin Description (continued)

Pin	Symbol	Function	Configuration
19	DEMOD_TANK1	Demodulator tank circuit	
20	DEMOD_TANK2	Demodulator tank circuit	
21	DAC_DEC	Decoupling PIN for VCO_DAC	
22	REG_DEC	Decoupling PIN for VCO_REG	
23	BB_CF	Baseband filter corner-frequency control input	

Pin Description (continued)

Pin	Symbol	Function	Configuration
24	BB_OUT	Baseband filter output	
25	RSSI	Received signal-strength indicator output	
26	IF_TANK1	IF tank circuit	
27	IF_TANK2	IF tank circuit	
28	GND2	Ground	

Pin Description (continued)

Pin	Symbol	Function	Configuration
29	RF_IN1	RF input of image reject mixer	
30	RF_IN2	RF input of image reject mixer	
31	GND3	Ground	
32	TX_OUT	TX driver amplifier output for PA	

Pin Description (continued)

Pin	Symbol	Function	Configuration
33	VS_IF	IF amplifier supply voltage	
34	IF_IN1	IF input of IF amplifier	
35	IF_IN2	IF input of IF amplifier	
36	RAMP_OUT	Ramp-generator output for PA power ramping	

Pin Description (continued)

Pin	Symbol	Function	Configuration
37	RAMP_SET	Slew-rate setting of ramping signal	
38	RX_ON	RX control input	
39	TX_ON	TX control input	
40	MIXER_OUT1	Mixer output to SAW filter	
41	MIXER_OUT2	Mixer output to SAW filter	

Pin Description (continued)

Pin	Symbol	Function	Configuration
42	VS_MIXER	Mixer supply voltage	
43	GND_PLL	PLL ground	
44	PU_VCO	VCO power-up input	
45	PU_RX/TX	RX/TX power-up input	

Pin Description (continued)

Pin	Symbol	Function	Configuration
46	PU_PLL	PLL power-up input	
47	TX_DATA	TX data input of Gaussian filter and modulation-compensation circuit	
48	I_CPSW	Charge pump switch input controls charge pump current	

Functional Description

Receiver

The RF signal at RF_IN is fed to an image rejection mixer IR_MIXER with its differential outputs MIXER_OUT1 and MIXER_OUT2 driving an IF-SAW filter at 110.592 MHz or 112.32 MHz. The IF amplifiers IF_AMP1 and IF_AMP2 with an external IF_TANK and an integrated RSSI function feed the signal to the demodulator DEMOD working at $f = f_{IF}/2$ (≈ 55 MHz) and finally to an integrated baseband filter BB. For demodulator tuning in production an integrated 5-bit digital-to-analog (D/A) converter is provided to control the on-chip varicap diode.

Transmitter

The transmit data at TX_DATA is filtered by an integrated Gaussian Filter GF and fed to the fully integrated VCO operating at twice the output frequency. After modulation the signal is frequency-divided by 2 and fed via a TX/RX SWITCH to the TX_DRIVER. This bus-controlled driver amplifier supplies typical +3 dBm output power at TX_OUT. A ramp-signal generator RAMP_GEN, provides a ramp signal at RAMP_OUT for the external power amplifier, is integrated. The slope of the ramp signal is controlled by a capacitor at the RAMP_SET pin.

Synthesizer

The IR_MIXER, the TX_DRIVER and the programmable counter PC are driven by the fully integrated VCO (including on-chip inductors and varactors). An 3-bit digital-to-analog converter is used to pretune the frequency. The output signal is frequency-divided to supply the desired frequency to the TX_DRIVER, 0/90 degree phase shifter for the IR_MIXER and to be used by the PC for the phase detector PD ($f_{PD} = 3.456$ MHz). Unlimited multislot operation is possible by using the integrated advanced closed-loop modulation concept based on the modulation compensation circuit MCC.

Power Supply

An integrated bandgap-stabilized voltage regulator for use with an external low-cost PNP transistor is implemented. Multiple power-down and current saving modes are provided.

PLL Principle

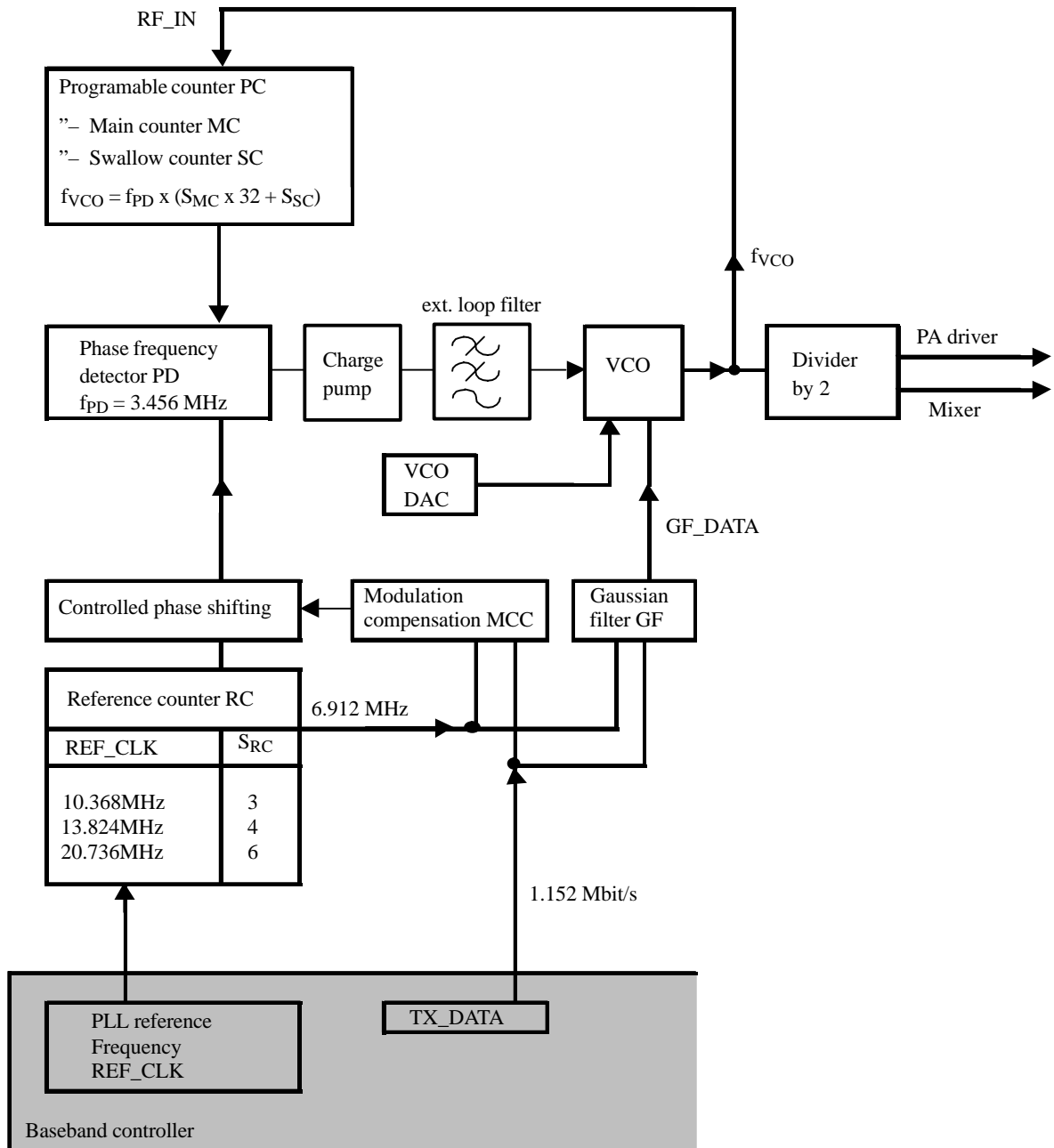


Figure 3.

The following table shows the LO frequencies for RX and TX for the DECT band plus additional channels for the extended DECT band. Intermediate frequencies of 110.592 MHz and 112.32 MHz are supported.

Table 1 LO frequencies

Mode	f_{IF}/MHz	Channel	f_{ANT}/MHz	f_{VCO}/MHz	S_{MC}	S_{SC}
TX		C9	1881.792	1881.792	34	1
		C8	1883.520	1883.520	34	2
	
		C1	1895.616	1895.616	34	9
		C0	1897.344	1897.344	34	10
		C10	1899.072	1899.072	34	11
		C11	1900.800	1900.800	34	12
	
		C29	1931.904	1931.904	34	30
		C30	1933.632	1933.632	34	31
		RX	110.592	C9	1881.792	1771.200
C8	1883.520			1772.928	32	2
...
C1	1895.616			1785.024	32	9
C0	1897.344			1786.752	32	10
C10	1899.072			1788.480	32	11
C11	1900.800			1790.208	32	12
...
C29	1931.904			1821.312	32	30
C30	1933.632			1823.040	32	31
RX	112.320			C9	1881.792	1769.472
		C8	1883.520	1771.200	32	1
	
		C1	1895.616	1783.296	32	8
		C0	1897.344	1785.024	32	9
		C10	1899.072	1786.752	32	10
		C11	1900.800	1788.480	32	11
	
		C29	1931.904	1819.584	32	29
		C30	1933.632	1821.312	32	30

Formula

$$\text{TX: } f_{ANT} = f_{VCO} = 1.728 \text{ MHz} \times (32 \times S_{MC} + S_{SC})$$

$$\text{RX: } f_{ANT} = 1.728 \text{ MHz} \times (32 \times S_{MC} + S_{SC}) + f_{IF}$$

Control Signals

Table 2

Signal	Function
I_CPSW	Controls the charge pump current
PU_REG	Activates AUX voltage regulator supplying the complete transceiver.
PU_VCO	Activates VCO voltage regulator which supplies only the VCO.
PU_RX/TX	Activates RX/TX switch.
PU_PLL	Activates PLL circuits: PC, PD, CP, RC
RX_ON	Activates RX circuits: BBF, DEMOD, IF AMP, IR MIXER
TX_ON	Activates TX circuits: TX-DRIVER, RAMP GEN. Starts RAMP SIGNAL at RAMP OUT.
Data Word 1 Bit D10	Activates GF in TX mode.
Data Word 1 Bit D9	Activates MCC in TX mode.

Table 3

Mode	TX Mode	RX Mode	RSSI Only
PU_REG	1	1	1
PU_VCO	1	1	1
PU_RX/TX	1	1	1
PU_PLL	1	1	1
RX_ON	0	1	1
TX_ON	1	0	1
BB filter	OFF	ON	OFF
Demodulator	OFF	ON	OFF
IF amplifiers and RSSI	OFF	ON	ON
IR mixer	OFF	ON	ON
RX switch	OFF	ON	ON
TX switch	ON	OFF	OFF
TX driver	ON	OFF	OFF
Ramp generator	ON	OFF	OFF
Programmable counter	ON	ON	ON
Voltage-controlled oscillator	ON	ON	ON
Gaussian filter	ON	OFF	OFF
Phase detector / charge pump	ON	ON	ON
Modulation compensation circuit	ON	OFF	OFF
Reference counter	ON	ON	ON
Typ. current consumption / mA @ $V_S = 3.2$ V	54	85	80

Serial Programming Bus

The transceiver is programmed by the 3-wire bus (CLOCK, DATA and ENABLE).

After setting enable signal to low condition, on the rising edge of the clock signal, the data is transferred bit by bit into the shift register, starting with the MSB-bit. After enable returning to high condition the programmed information is loaded into the addressed latches, according to the addressbit condition (last bit). Additional leading bits are ignored and there is no check made how

many pulses arrived during enable-low condition. During enable low condition the bus current is increased to speed up the bus logic.

The programming of the transceiver is separated into two data words. Data word 1 controls mainly the channel information together with settings, which are closely related with the channel. Dataword 2 holds setup information, which is adjusted during production.

Data Word 1

MSB																						LSB	
Data bits																						Address bit	
D22	D21	D20	D19	D18	D17	D16	D15	D14	D13	D12	D11	D10	D9	D8	D7	D6	D5	D4	D3	D2	D1	D0	A0
RC		SC					MC		VCOS	1	1	GF	MCC	GFCS			VCODAC			CPCS			1

Data Word 2

E10	E9	E8	E7	E6	E5	E4	E3	E2	E1	E0	A0
DEMOSDAC					MCCS			TEST			0

Data Word 1 Programs

PLL Settings

With the Reference Counter bits D21 – D22

RC (Reference Counter)			
D22	D21	S _{RC}	REF_CLK
0	0	3	10.368 MHz
0	1	4	13.824 MHz
1	0	6	20.736 MHz

With the Main Counter bits D14 – D15

MC (Main Counter)		
D15	D14	S _{MC}
0	0	32
0	1	33
1	0	34
1	1	35

With the Swallow Counter bits D16 – D20

SC (Swallow Counter)					
D20	D19	D18	D17	D16	S _{SC}
0	0	0	0	0	0
0	0	0	0	1	1
0	0	0	1	0	2
...					...
1	1	1	0	1	29
1	1	1	1	0	30
1	1	1	1	1	31

VCO Select (RX/TX VCO)

With bit D13

Used to switch between RX/TX VCO

D13	VCOS (VCO Select)
0	RX-VCO
1	TX-VCO

Gaussian Filter on/off

With bit D10

GF is used only in TX mode

D10	GF (Gaussian Filter)
0	OFF
1	ON

Modulation Compensation Circuit on/off

With bit D9

MCC is used only in TX mode

D9	MCC (Modulation Compensation Circuit)
0	OFF
1	ON

GFCS Adjustment

With bit D6 – D8

Only in TX mode effective for setting the frequency deviation of the modulation

GFCS (Gaussian Filter Settings)			
D8	D7	D6	GFCS
0	0	0	60%
0	0	1	70%
0	1	0	80%
0	1	1	90%
1	0	0	100%
1	0	1	110%
1	1	0	120%
1	1	1	130%

VCO_DAC Adjustment

With bit D3 – D5

Used to pretune the VCO frequency in case of production tolerances of the device. Tuning voltage in locked condition should be around 1.8 V at room temperature. This gives margin for ambient temperature changes.

Pretune DAC Voltage			
D5	D4	D3	f _{VCO} /%
0	0	0	-5
0	0	1	...
0	1	0	...
0	1	1	...
1	0	0	...
1	0	1	...
1	1	0	...
1	1	1	5

CPCS Adjustment

With bit D0 – D2

Used to adjust the charge pump current. This can be used to compensate the change of the tuning sensitivity over frequency and device tolerances.

CPCS (Charge-Pump Current Settings)			
D2	D1	D0	CPCS
0	0	0	-4
0	0	1	-3
0	1	0	-2
0	1	1	-1
1	0	0	0
1	0	1	1
1	1	0	2
1	1	1	3

Data Word 2 Programs

DEMODO DAC Adjustment

With bits E6 – E10

Only in RX mode effective. Used to tune the demodulator center frequency and allows to compensate tolerances of external components and the T2801.

Demod DAC Voltage					
E10	E9	E8	E7	E6	f _{IFcenter} %
0	0	0	0	0	-5
0	0	0	0	1	...
0	0	0	1	0	...
					...
1	1	1	0	1	...
1	1	1	1	0	...
1	1	1	1	1	5

MCCS Adjustment

With bits E3 – E5

Only in TX mode effective. Adjusts the modulation compensation circuit for closed loop modulation. This adjustment is done with a test sequence of a long stream of ,1' – ,0'. The correct setting is achieved, if the modulation is not affected by the PLL.

MCCS (Modulation Compensation Settings)			
E5	E4	E3	MCCS
0	0	0	60%
0	0	1	70%
0	1	0	80%
0	1	1	90%
1	0	0	100%
1	0	1	110%
1	1	0	120%
1	1	1	130%

TEST Mode Settings

With bit E0 – E2 and D11

In normal operation Lock detect output is used. All other settings are for test only.

D11	E2	E1	E0	Signal at lock detect output	CP mode
1	0	0	0	Lock detect	Active
0	0	0	1	RC out	Active
1	0	1	0	PC out	Active
X	0	1	1	MCCTEST: RC out divided by 2048	Active
1	1	0	0	Lock detect	High imp.
0	1	0	1	RC out	High imp.
1	1	1	0	PC out	High imp.
X	1	1	1	GFTEST: RC out divided by 2	High imp.

3-Wire Bus Protocol Timing Diagram

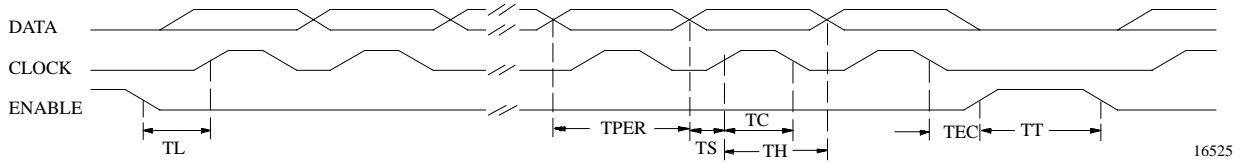
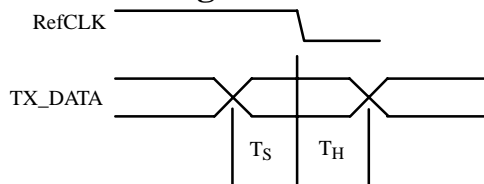


Figure 4.

Description	Symbol	Min. Value	Unit
Clock period	TPER	125	ns
Set time data to clock	TS	60	ns
Hold time data to clock	TH	60	ns
Clock pulse width	TC	60	ns
Set time enable to clock	TL	200	ns
Hold time enable to data	TEC	0	ns
Time between two protocols	TT	250	ns

TX DATA Timing



Set-up time TX DATA	TS	10 ns
Hold time TX DATA	TH	10 ns

TS and TH must be considered for both (falling and rising) edges of RefCLK when using REF_CLK = 10.368 MHz.

Figure 5. TX DATA timing

Absolute Maximum Ratings

All voltages refer to GND

Parameter	Symbol	Min.	Max.	Unit
Supply voltage regulator Pin 10	V_{S_REG}	3.2	4.7	V
Supply voltage Pins 7, 12, 14, 33 and 42	V_S	3.0	4.7	V
Logic input voltage Pins 1, 2, 3, 38, 39, 44, 45, 46, 47 and 48	V_{IN}	-0.3	V_S	V
Junction temperature	T_{jmax}		150	°C
Storage temperature	T_{stg}	-40	150	°C

Thermal Resistance

Parameter	Symbol	Value	Unit
Junction ambient	R_{thJA}	t.b.d.	K/W

Operating Range

Parameter	Symbol	Min.	Typ.	Max.	Unit
Supply voltage regulator Pins 10	V_{S_REG}	3.2	3.6	4.6	V
Supply voltage Pins 7, 12, 14, 33 and 42	V_S	3.0	3.0	4.6	V
Ambient temperature	T_{amb}	-25		+85	°C

Electrical Characteristics

Test conditions (unless otherwise specified): $V_{S_REG} = 3.2$ V, $T_{amb} = 25^\circ\text{C}$

Parameter	Test Conditions / Pins	Symbol	Min.	Typ.	Max.	Unit
IR mixer Pins 29, 30, 40 and 41						
Input impedance	Pins 29 and 30	Z_{in}		50		Ω
Input matching	Pins 29 and 30	$V_{SWR_{in}}$		<2:1		
Image rejection ratio	Pins 40 and 41	IRR		20		dB
DSB noise figure	Pins 40 and 41	NFDSB= NFSSB		10		dB
Conversion gain	$R_{load} = 200 \Omega$	G_{conv}		11		dB
Input interception point	Pins 40 and 41	IIP3		-10		dBm
IF amplifier Pins 26, 27, 34 and 35						
Input impedance	Pins 34 and 35	Z_{in}	200		400	Ω
Lower cut-off frequency		f_{l3dB}		90		MHz
Upper cut-off frequency		f_{u3dB}		130		MHz
Power gain		G_p		85		dB
Bandwidth of external tank circuit	Pins 26 and 27	BW3dB		10		MHz
Noise figure		NF		9		dB
RSSI Pins 25, 34 and 35						
RSSI sensitivity	at IF_IN1, IF_IN2 Pins 34 and 35	P_{min}		20		dB μ V
RSSI compression	at IF_IN1, IF_IN2 Pins 34 and 35	P_{max}		100		dB μ V
RSSI dynamic range		DR		80		dB
RSSI resolution	Slope of the RSSI has to be steady	Acc		± 2		dB
RSSI rise time	$P_{in} = 30$ to 100 dB μ V, Pin 25	t_r		1		μ s
RSSI fall time	$P_{in} = 100$ to 30 dB μ V, Pin 25	t_f		1		μ s
Quiescent output current	@ $P_{in} < 20$ dB μ V at IF_IN1, IF_IN2 Pin 25	I_{out}		30		μ A
Maximum output current	@ $P_{in} = 100$ dB μ V at IF_IN1, IF_IN2 Pin 25	I_{out}		150		μ A

Electrical Characteristics (continued)

Test conditions (unless otherwise specified): $V_{S_REG} = 3.2\text{ V}$, $T_{amb} = 25^\circ\text{C}$

Parameter	Test Conditions / Pins	Symbol	Min.	Typ.	Max.	Unit
FM demodulator, BB-Filter Pins 19, 20, 23 and 24						
Co-channel rejection ratio	@ $P_{in} = -75\text{ dBm}$ at IR-mixer input	CCRR		10		dB
Sensitivity	Quality factor of external tank circuit approx. 20, $f_{res} = F_{IF}/2$, Pin 24	S		0.5		V/MHz
Amplitude of recovered signal	Nominal deviation of signal $\pm 288\text{ kHz}$, Pin 24	A		450		mV _{SS}
Corner frequency	Pin 23: C = 68 pF	f_c		680		kHz
Output voltage DC range	Pin 24	V_{outDC}	1		$V_S - 1$	V
DAC for FM demodulator (internally connected)						
DEMOD_DAC range	(see bus protocol E6 ... E10)	$\Delta f_{IFcenter}$		± 5		%
VCO						
RX-VCO frequency range	VCOS = '0' Bit D13	f_{vco}	1750		1840	MHz
TX-VCO frequency range	VCOS = '1' Bit D13	f_{vco}	1860		1950	MHz
Tuning gain		G_{tune}		40		MHz/V
Frequency control voltage range	Pin 17	V_{tune}	0.4		2.8	V
VCO_DAC range	(see bus protocol D3 ... D5)	$\Delta f_{vco,DAC}$		± 5		%
PLL						
Scaling factor prescaler		S_{PSC}		32 / 33		
Scaling factor main counter		S_{MC}		32 / 33 / 34 / 35		
Scaling factor swallow counter		S_{SC}	0		31	
External reference input frequency	AC coupled sinewave Pin 4	f_{REF_CLK}		10.368 13.824 20.736		MHz MHz MHz
External reference input voltage	AC coupled sinewave Pin 4	V_{REF_CLK}	50		250	mV _{RMS}
Scaling factor reference counter		S_{RC}		3 / 4 / 6 / 8		
Charge pump Pin 13						
Output current	$V_{CP} = V_{VS_CP} / 2$, $I_{CPSW} = '1'$ Pin 48	I_{CP_nom}		± 6.5		mA
Output current	$V_{CP} = V_{VS_CP} / 2$, $I_{CPSW} = '0'$ Pin 48	I_{CP_nom}		± 1.2		mA
Current scaling	$I_{CP} = I_{CP_nom} + CPCS * I_{CP_step}$ (see bus protocol D0 ... D2)	I_{CP_step}		0.2		mA
Leakage current		I_L		± 100		pA

Electrical Characteristics (continued)

 Test conditions (unless otherwise specified): $V_{S_REG} = 3.2\text{ V}$, $T_{amb} = 25^{\circ}\text{C}$

Parameter	Test Conditions / Pins	Symbol	Min.	Typ.	Max.	Unit
Gaussian transmit filter (Gaussian shape B*T = 0.5)						
Tx data filter clock	12 taps in filter	f_{TXFCLK}		13.824		MHz
Frequency deviation		GF_{FM_nom}		± 350		kHz
Frequency deviation scaling	$GF_{FM} = GF_{FM_nom} * GFCS$ (see bus protocol D6 ... D8)	GFCS	60		130	%
Modulation compensation circuit						
Oversampling		OVS		6		
Digital sum variation		DSV			85	
Current scaling factor	(see bus protocol E3 ... E5)	MCCS	60		130	%
VCO switch and TX driver Pin 32						
Power gain	@ $P_{in} = -40\text{ dBm}$	G_p		30		dB
Output impedance	Pin 32	Z_{out}		100		Ω
Maximum output power	Pin 32	P_{max}	0	3		dBm
Gain compression	@ TX_RF_OUT, Pin 32	P_{1dB}		1		dBm
Output interception point	Pin 32	OIP3		10		dBm
Ramp generator Pins 36 and 37						
Minimum output voltage	According to RAMP_SET input	V_{min}		0.2		V
Maximum output voltage	According to RAMP_SET input	V_{max}		1.95		V
Rise time	$C_{ramp} = 270\text{ pF}$ at Pin 37	t_r		5		μs
Fall time	$C_{ramp} = 270\text{ pF}$ at Pin 37	t_f		5		μs
Lock detect and test mode output Pin 5						
Lock detect output, test mode output	locked = '1', unlocked = '0' test modes (see bus protocol E0 ... E2)	LD				
Leakage current	$V_{OH} = 4.6\text{ V}$	I_L			5	μA
Saturation voltage	$I_{OL} = 0.5\text{ mA}$	V_{SL}			0.4	V
Auxiliary regulator Pins 8, 9 and 10						
Output voltage	$V_{SREG} = 3\text{ V}$ Pin 8	V_{REG}	2.9	3.0	3.1	V
Supply voltage rejection	$V_{Pin10} = V_{DC} + 0.1\text{ V}_{pp}$ $f_{Pin10} = 0.1\text{ to }10\text{ kHz}$ $C_{Pin8} = 100\text{ nF}$	SVR		t.b.d.		dB
VCO regulator Pins 14, 15 and 12						
Output voltage	$V_{SVCO} = 3\text{ V}$ Pin 15	V_{REG_VCO}	2.6	2.7	2.8	V
3-wire bus						
Clock		f_{Clock}			6.912	MHz

Electrical Characteristics (continued)

Test conditions (unless otherwise specified): $V_{S_REG} = 3.2\text{ V}$, $T_{amb} = 25^\circ\text{C}$

Parameter	Test Conditions / Pins	Symbol	Min.	Typ.	Max.	Unit
Logic input levels (CLOCK, DATA, ENABLE, RX_ON, TX_ON, PU_VCO, TX_DATA, I_CPSW) Pins 1, 2, 3, 38, 39, 44, 47 and 48						
High input level	= '1'	V_{iH}	1.5			V
Low input level	= '0'	V_{iL}			0.5	V
High input current	= '1'	I_{iH}	-5		5	μA
Low input current	= '0'	I_{iL}	-5		5	μA
Standby control Pins 6, 45 and 46						
Power up PU_REG = '1' PU_RX/TX = '1' PU_PLL = '1' High input level	Pin 6 Pin 45 Pin 46	V_{PU_REG} $V_{PU_RX/TX}$ V_{PU_PLL}	2.0			V
Standby PU_REG = '0' PU_RX/TX = '0' PU_PLL = '0' Low input level	Pin 6 Pin 45 Pin 46	$V_{PU_REG,OFF}$ $V_{PU_RX/TX,OFF}$ $V_{PU_PLL,OFF}$			0.7	V
Power up PU_REG = '1' PU_RX/TX = '1'	$V_{PU} = 3\text{ V}$ Pin 6 $V_{PU} = 5.5\text{ V}$ Pin 45	I_{PU_REG} $I_{PU_RX/TX}$	20 60	30 80	40 100	μA μA
PU_PLL = '1' High input current	$V_{PU} = 3\text{ V}$ Pin 46 $V_{PU} = 5.5\text{ V}$	I_{PU_PLL}	100 200	125 300	150 400	μA μA
Standby PU_xxxx = '0' Low input current	$V_{PU} = 0\text{ V}$ Pin 6, $V_{PU} = 0.5\text{ V}$ Pins 45, 46	$I_{PU,OFF}$			0.1 1	μA μA
Settling time $V_S = 0 \rightarrow$ active operation	Switched from $V_S = 0$ to $V_S = 3\text{ V}$	t_{soa}		< 10		μs
Settling time standby \rightarrow active operation	Switched from PU = '0' to PU = '1'	t_{ssa}		< 10		μs
Settling time active operation \rightarrow standby	Switched from PU = '1' to standby	t_{sas}		< 2		μs
Power supply Pins 7, 10, 12, 14, 33 and 42						
Total supply current	RX	I_S		85		mA
	RSSI only	I_S		82		mA
	TX	I_S		54		mA
	TX (MCC, GF active)	I_S		58		mA
Standby current	PU_RX/TX = GND	I_S		1	10	μA
Supply current CP	$V_{VS_CP} = 3\text{ V}$, PLL in lock condition Pin 13	I_{CP}		1		μA

Application Circuit

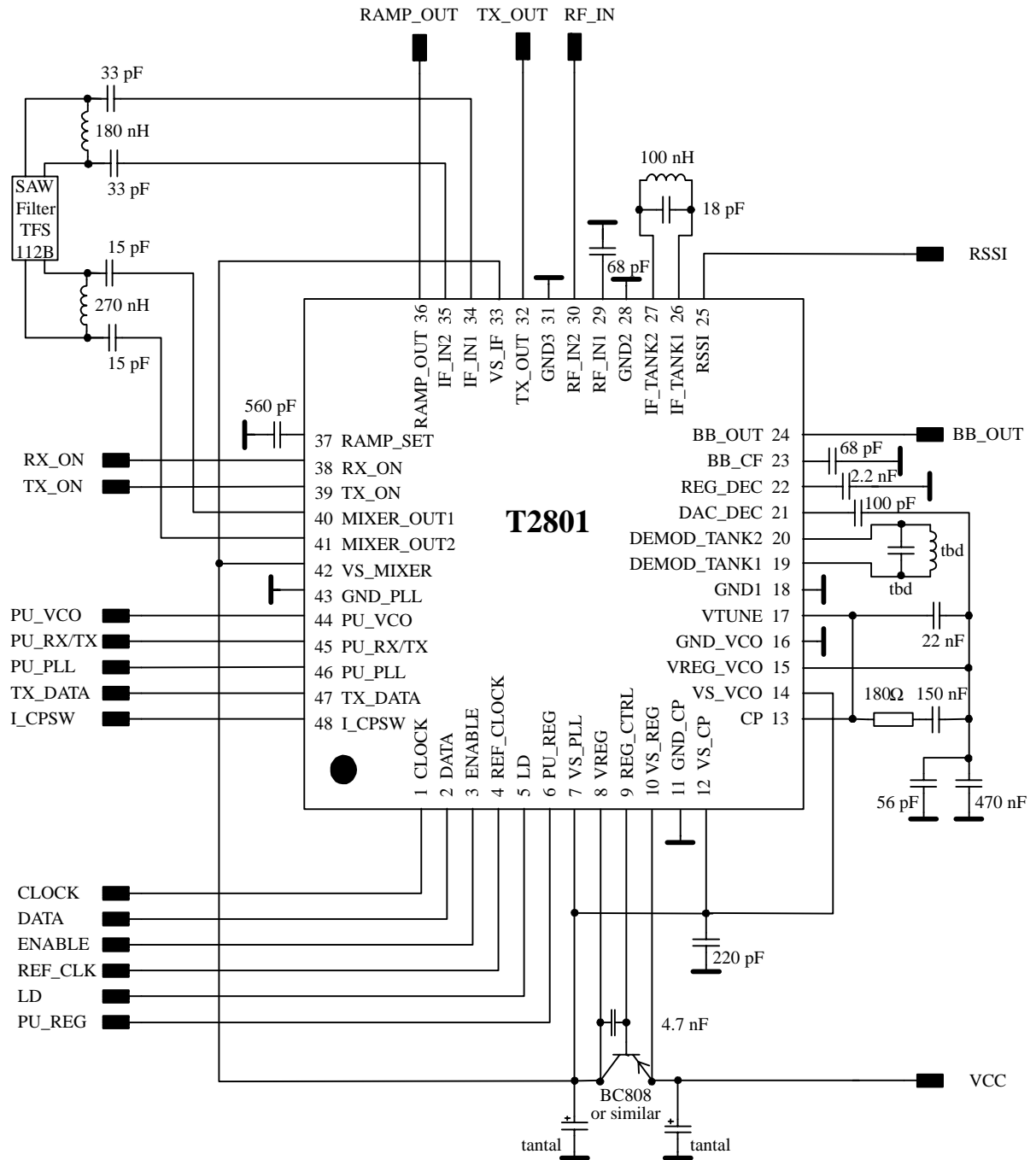
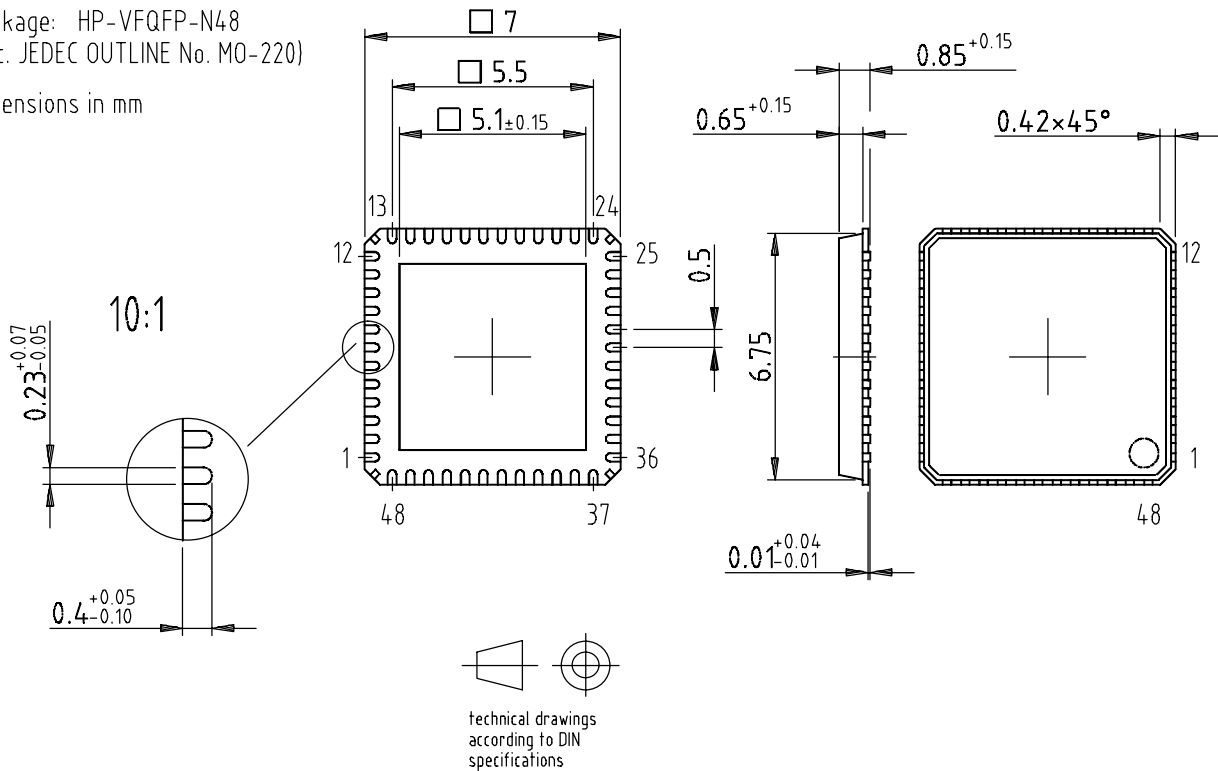


Figure 6. Application circuit

Package Information

Package: HP-VFQFP-N48
(acc. JEDEC OUTLINE No. MO-220)

Dimensions in mm



Ozone Depleting Substances Policy Statement

It is the policy of **Atmel Germany GmbH** to

1. Meet all present and future national and international statutory requirements.
2. Regularly and continuously improve the performance of our products, processes, distribution and operating systems with respect to their impact on the health and safety of our employees and the public, as well as their impact on the environment.

It is particular concern to control or eliminate releases of those substances into the atmosphere which are known as ozone depleting substances (ODSs).

The Montreal Protocol (1987) and its London Amendments (1990) intend to severely restrict the use of ODSs and forbid their use within the next ten years. Various national and international initiatives are pressing for an earlier ban on these substances.

Atmel Germany GmbH has been able to use its policy of continuous improvements to eliminate the use of ODSs listed in the following documents.

1. Annex A, B and list of transitional substances of the Montreal Protocol and the London Amendments respectively
2. Class I and II ozone depleting substances in the Clean Air Act Amendments of 1990 by the Environmental Protection Agency (EPA) in the USA
3. Council Decision 88/540/EEC and 91/690/EEC Annex A, B and C (transitional substances) respectively.

Atmel Germany GmbH can certify that our semiconductors are not manufactured with ozone depleting substances and do not contain such substances.

We reserve the right to make changes to improve technical design and may do so without further notice.

Parameters can vary in different applications. All operating parameters must be validated for each customer application by the customer. Should the buyer use Atmel products for any unintended or unauthorized application, the buyer shall indemnify Atmel against all claims, costs, damages, and expenses, arising out of, directly or indirectly, any claim of personal damage, injury or death associated with such unintended or unauthorized use.

Data sheets can also be retrieved from the Internet: <http://www.atmel-wm.com>

Atmel Germany GmbH, P.O.B. 3535, D-74025 Heilbronn, Germany
Telephone: 49 (0)7131 67 2594, Fax number: 49 (0)7131 67 2423