

HIGH FREQUENCY MAGNETICS

Specialty Surface Mount Shielded Transformer

TM00107

- Operates as a high frequency pulse transformer or as a high frequency analog transformer in various telecom circuits requiring very high voltage step-up ratio
- Interwinding Electrostatic Shield provides low capacitance and high EMI suppression
- Electrical equivalents: 2664F, 2741P2, 2779A
- Operating temperature range: -40° C to +85° C
- Meets IEC 695, 2-2 flammability requirements
- PWB Process Capability: standard printed wiring board assembly techniques, total-immersion cleaning
- Reliability testing: Shock, vibration, temperature cycling, temperature - humidity - bias

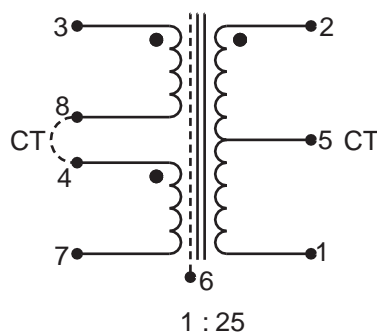
ELECTRICAL SPECIFICATIONS AT 25° C

Part Number	Nominal Turns Ratio ±1%	Inductance ² μH min	DCR Ω max	Leakage Inductance ² μH max	Interwinding Capacitance ^{4,5,6} pF max	Minimum Interwinding Breakdown Voltage Vrms
	(3-7) : (2-1) ¹	(2-5)	(3-8) (4-7) (2-1) ³	(3-7) ¹		
2779A	1 CT : 25 CT	300	1.92	0.20	5	500

- connect 4 to 8
- measured at 100 kHz, 0.02 Vac
- connect 4 to 8 & 2 to 7
- (3-8) to 6 with (2-1) grounded
- (4-7) to 6 with (2-1) grounded
- (3-7) to (2-1) with 6 grounded and 4 connected to 8

SCHEMATIC

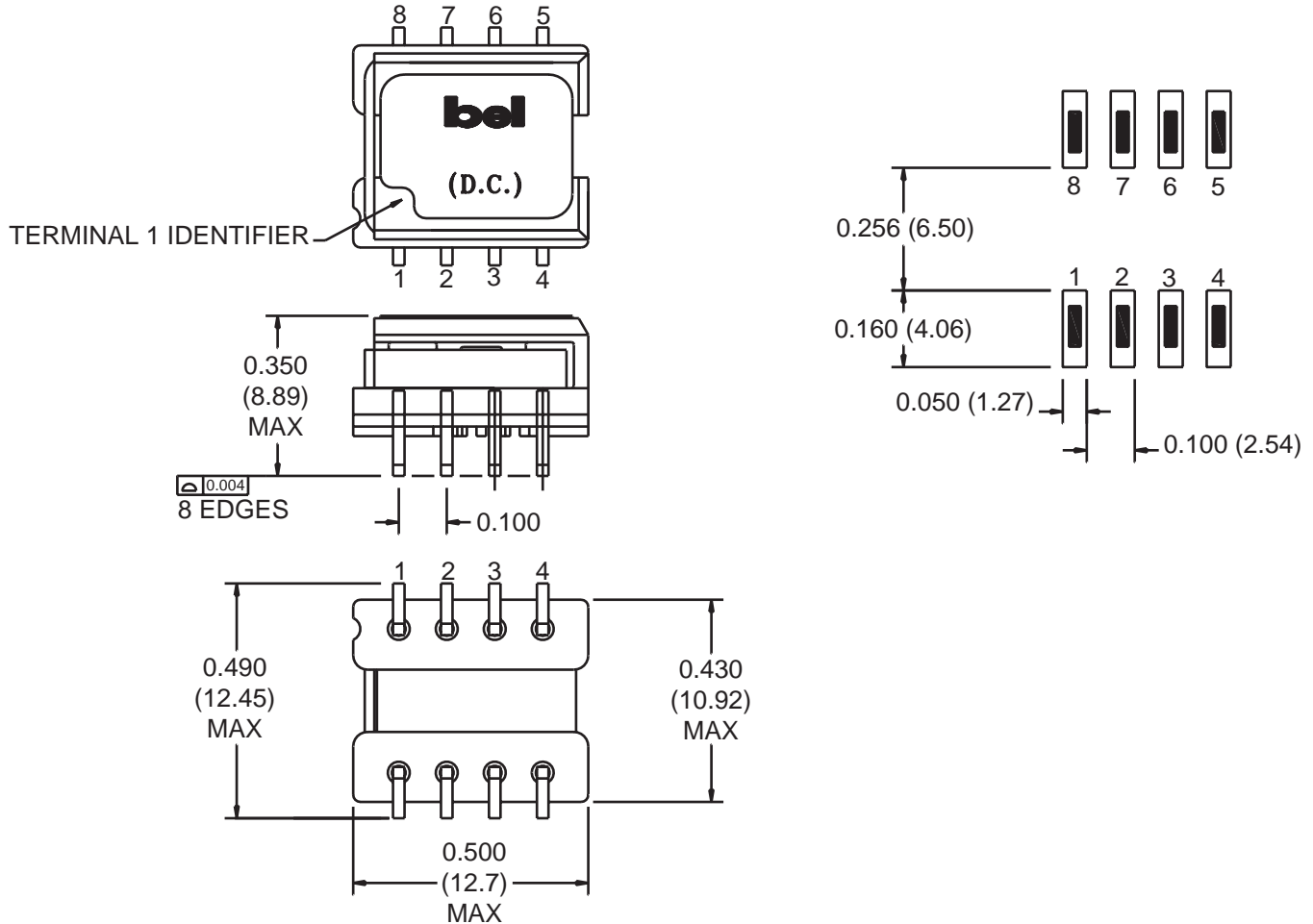
2779A



TM00107

MECHANICAL

2779A



Unless otherwise specified, dimensions are nominal and in inches (millimeters).

©2000 Bel Fuse Inc. Specifications subject to change without notice. 09.00

CORPORATE

Bel Fuse Inc.
 198 Van Vorst Street
 Jersey City, NJ 07302
 Tel 201-432-0463
 Fax 201-432-9542
 www.belfuse.com

FAR EAST

Bel Fuse Ltd.
 8F / 8 Luk Hop Street
 San Po Kong
 Kowloon, Hong Kong
 Tel 852-2328-5515
 Fax 852-2352-3706
 www.belfuse.com

EUROPE

Bel Fuse Europe Ltd.
 Preston Technology Management Centre
 Marsh Lane, Suite G7, Preston
 Lancashire, PR1 8UD, U.K.
 Tel 44-1772-556601
 Fax 44-1772-888366
 www.belfuse.com