

HIGH FREQUENCY MAGNETICS

Specialty Surface Mount Shielded Transformer

TM00108

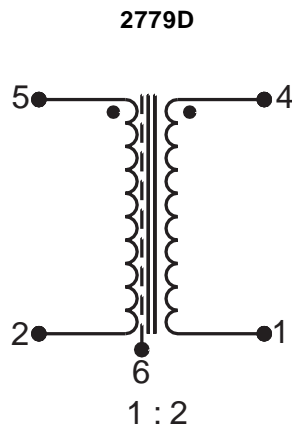
- Operates as high frequency pulse transformer in telecom switching systems at various signaling rates
- Interwinding Electrostatic Shield provides low capacitance and high EMI suppression
- Electrical equivalents: 2664A, 2741L2, 2779D
- Operating temperature range: -40° C to +85° C
- Meets IEC 695, 2-2 flammability requirements
- PWB Process Capability: standard printed wiring board assembly techniques, total-immersion cleaning
- Reliability testing: Shock, vibration, temperature cycling, temperature - humidity - bias

ELECTRICAL SPECIFICATIONS AT 25° C

Part Number	Nominal Turns Ratio ±2%	Secondary Inductance ¹ mH min	DCR Ω max		Secondary Leakage Inductance ² μH		Interwinding & Winding to Shield Capacitance ³ pF max		Minimum Interwinding Breakdown Voltage Vrms
	Pri : Sec (5-2) : (4-1)	(4-1)	(4-1)	(5-2)	(4-1)	(4-1) : 6 ⁴	(4-1) : (5-2) ⁵		
2779D	1 : 2	1.58	3.3	2.05	8.5 max	6.5 min	12	3	1500

- measured at 100 kHz, 0.05 Vac
- measured at 1 MHz, 0.05 Vac
- measured at 1 kHz, 1 Vac
- with (5-2) grounded
- with 6 grounded

SCHEMATIC

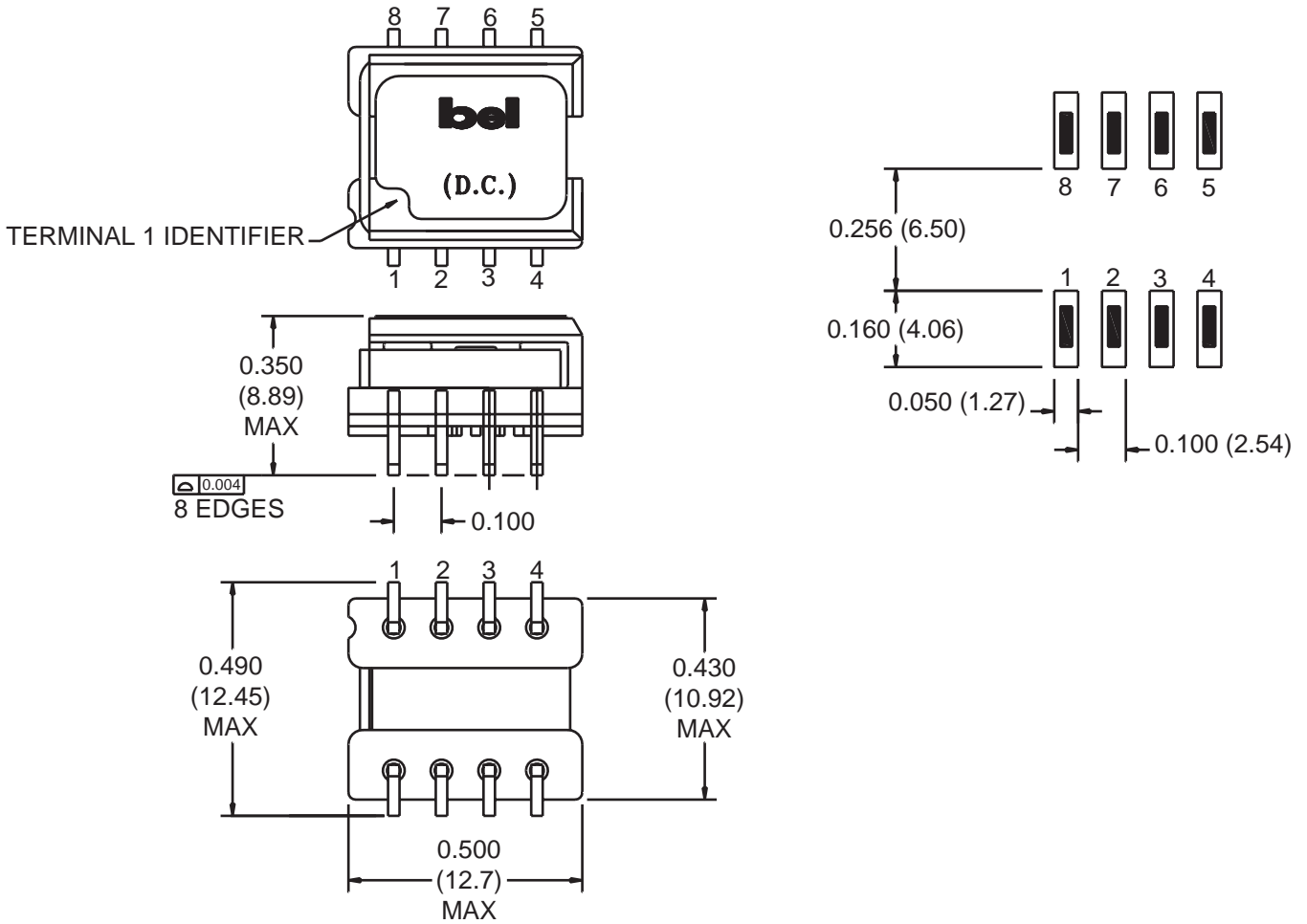


HIGH FREQUENCY MAGNETICS

Specialty Surface Mount Shielded Transformer

MECHANICAL

2779D



Unless otherwise specified, dimensions are nominal and in inches (millimeters).

CORPORATE

Bel Fuse Inc.
 198 Van Vorst Street
 Jersey City, NJ 07302
 Tel 201-432-0463
 Fax 201-432-9542
 www.belfuse.com

FAR EAST

Bel Fuse Ltd.
 8F / 8 Luk Hop Street
 San Po Kong
 Kowloon, Hong Kong
 Tel 852-2328-5515
 Fax 852-2352-3706
 www.belfuse.com

EUROPE

Bel Fuse Europe Ltd.
 Preston Technology Management Centre
 Marsh Lane, Suite G7, Preston
 Lancashire, PR1 8UD, U.K.
 Tel 44-1772-556601
 Fax 44-1772-888366
 www.belfuse.com