

ISDN MAGNETICS
UPO Interface Transformer

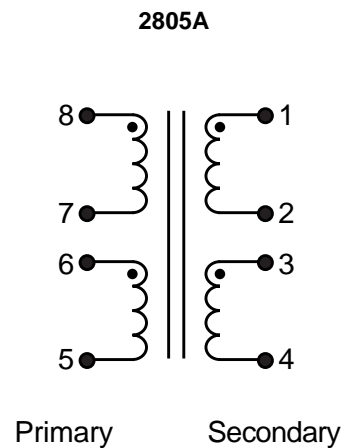
- Qualified per Bellcore TR-TSY-000357-1
- Approved by UL and CSA
- Minimum interwinding breakdown voltage of 1500 Vrms

ELECTRICAL SPECIFICATIONS at 25° C

Part Number	Turns Ratio ± 2%	Primary Inductance mH min	Leakage Inductance μH max	DCR Ω max		Interwinding Capacitance pF max
				Pri	Sec	
2805A	1.0 : 1.25	1.70	12.0	3.91	3.00	90

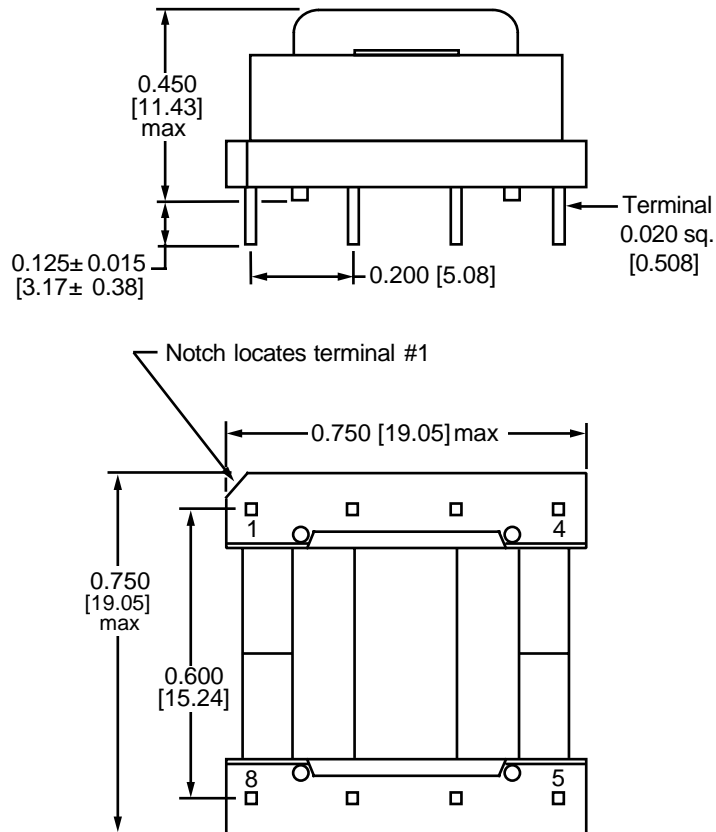
Compatible Transceiver ICs	
IC Mfr	IC Part Number
Siemens	PEB2095

SCHEMATIC



MECHANICAL

2805A



Note: Unless otherwise specified, dimensions are nominal and in inches [millimeters].

CORPORATE

Bel Fuse Inc.
198 Van Vorst Street
Jersey City, NJ 07302
Tel 201-432-0463
Fax 201-432-9542
www.belfuse.com

FAR EAST

Bel Fuse Ltd.
8F / 8 Luk Hop Street
San Po Kong
Kowloon, Hong Kong
Tel 852-2328-5515
Fax 852-2352-3706
www.belfuse.com

EUROPE

Bel Fuse Europe Ltd.
Preston Technology Management Centre
Marsh Lane, Suite F23, Preston
Lancashire, PR1 8UD, U.K.
Tel 44-1772-556601
Fax 44-1772-888366
www.belfuse.com