

CFPX-86 CRYSTALS

ISSUE 1; 7 OCTOBER 1999

Recommended For New Designs

Delivery Options

- Please contact our sales office for current leadtimes

Holder Style

- CFPX-86 surface mount crystals are plastic encapsulated

General Specifications

- Load Capacitance (C_L): 10pF to 50pF or Series
- Drive Level: 100 μ W max

Standard Frequencies

- 3.579545MHz, 3.68640MHz, 4.0MHz, 4.91520MHz, 6.0MHz, 7.37280MHz, 8.0MHz, 10.0MHz, 12.0MHz, 14.318180MHz, 16.0MHz, 18.4320MHz, 20.0MHz

Standard Frequency Tolerances and Stabilities

- ± 50 ppm, ± 100 ppm

Standard Operating Temperature Ranges

- -10 to 60°C
- -20 to 70°C

Storage Temperature Range

- -55 to 125°C

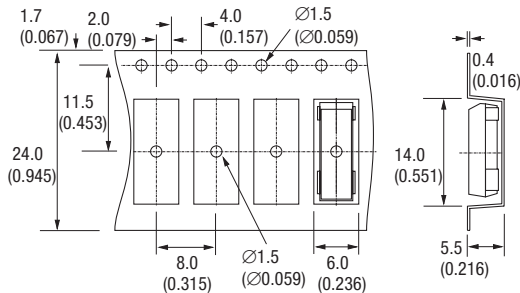
Marking

- Frequency only

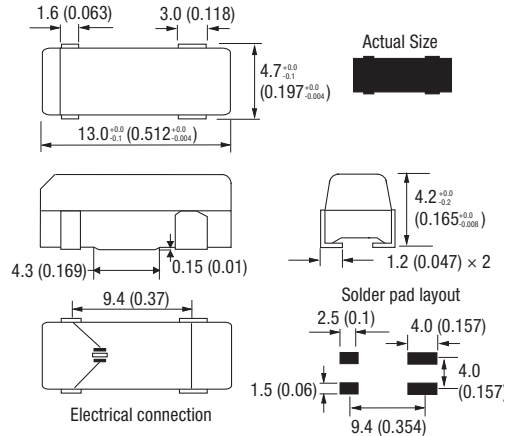
Minimum Order Information Required

- Frequency + Holder + Frequency Tolerance @ 25°C
- Frequency Stability + Operating Temperature Range + Circuit Condition

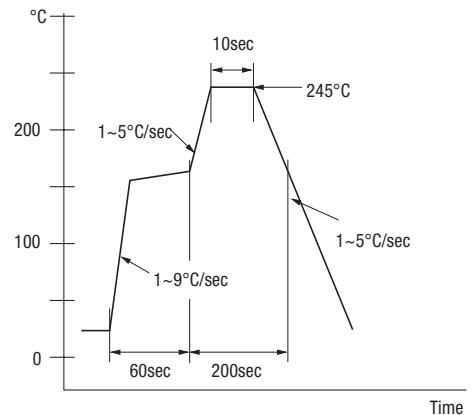
Outline in mm (inches) - Tape



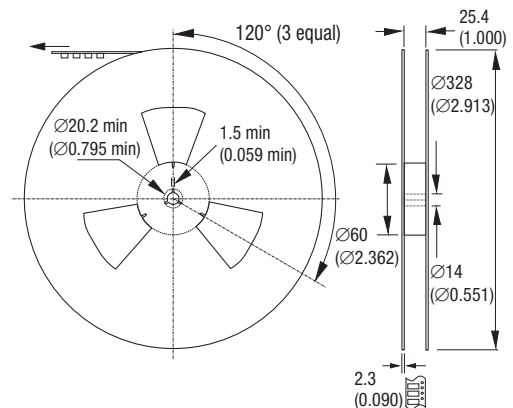
Outline in mm (inches) - (scale 2:1)



Typical Solder Condition - Infrared Reflow



Outline in mm (inches) - Reel (scale 1:8)



Electrical Specification - maximum limiting values

Frequency Range	Frequency Tolerance @ 25°C ±2°C	Operating Temperature Range	Frequency Stability Available Over Operating Temperature		ESR Max	Vibration Mode
			Minimum	Maximum		
3.570 to < 4.0MHz	±10ppm to ±100ppm	0 to 50°C	±10ppm	±100ppm	200Ω	Fundamental
		-10 to 60°C	±20ppm			
		-20 to 70°C	±30ppm			
		-40 to 90°C	±50ppm	±150ppm		
4.0 to < 5.0MHz	±10ppm to ±100ppm	0 to 50°C	±10ppm	±100ppm	150Ω	Fundamental
		-10 to 60°C	±20ppm			
		-20 to 70°C	±30ppm			
		-40 to 90°C	±50ppm	±150ppm		
5.0 to < 10.0MHz	±10ppm to ±100ppm	0 to 50°C	±10ppm	±100ppm	120Ω	Fundamental
		-10 to 60°C	±20ppm			
		-20 to 70°C	±30ppm			
		-40 to 90°C	±50ppm	±150ppm		
10.0 to < 16.0MHz	±10ppm to ±100ppm	0 to 50°C	±10ppm	±100ppm	60Ω	Fundamental
		-10 to 60°C	±20ppm			
		-20 to 70°C	±30ppm			
		-40 to 90°C	±50ppm	±150ppm		
16.0 to < 26.0MHz	±10ppm to ±100ppm	0 to 50°C	±10ppm	±100ppm	50Ω	Fundamental
		-10 to 60°C	±20ppm			
		-20 to 70°C	±30ppm			
		-40 to 90°C	±50ppm	±150ppm		
26.0 to 33.0MHz	±10ppm to ±100ppm	0 to 50°C	±10ppm	±100ppm	40Ω	Fundamental
		-10 to 60°C	±20ppm			
		-20 to 70°C	±30ppm			
		-40 to 90°C	±50ppm	±150ppm		
30.0 to < 45.0MHz	±10ppm to ±100ppm	-10 to 60°C	±100ppm	-	100Ω	Fundamental BT Cut
		-20 to 70°C	±100ppm			
32.0 to 60.0MHz	±10ppm to ±100ppm	0 to 50°C	±10ppm	±100ppm	100Ω	3rd Overtone
		-10 to 60°C	±20ppm			
		-20 to 70°C	±30ppm			
		-40 to 90°C	±50ppm	±150ppm		