

T1 CARRIER INTERFACE TRANSFORMERS T1/CEPT Telecom Line Interface Applications

TM0006

Bel provides transformer magnetics in several package and schematic variations for T1/CEPT Telecom Line Interface Applications. Bel's high quality semi-automated processes provide superior single small form, and standard dual transformers.

- * 2000 Vrms Isolation.
- * Primary Inductance is 1.20mH minimum.
- * Primary DCR is 0.80 ohms maximum.
- * Custom designs available upon request.

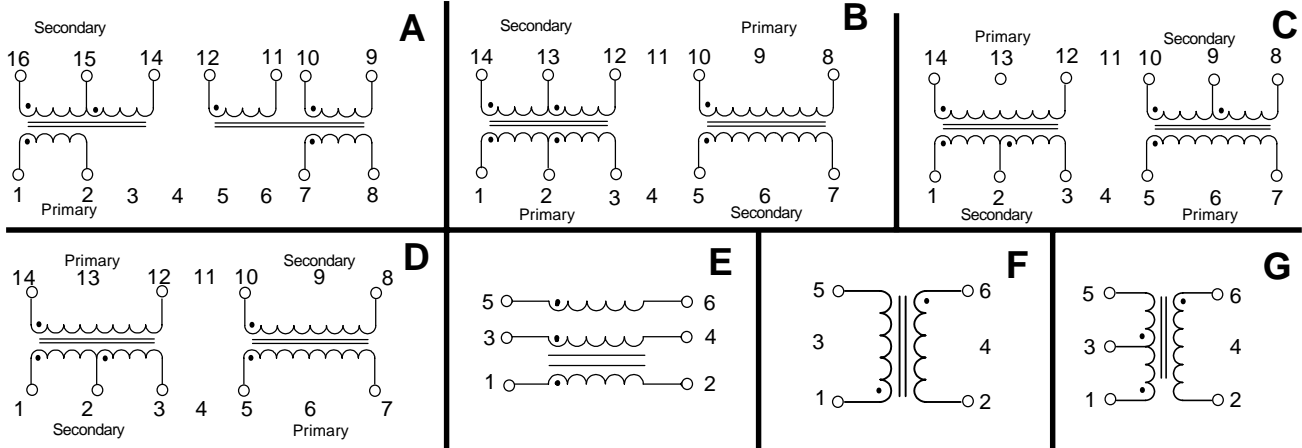
ELECTRICALS @ 25° C

Part Number	Turns Ratio (+/- 5%)	Leakage Inductance L_{L} (uH) Max	Coupling Capacitance C_{ww} (pF) Max	Sec DCR (ohms) Max	#Pins on Package and Style	Schem.
A553-0013-00	1:1.385CT/1:1:1	0.80/0.50	35	0.80	16 Topper	A
A553-0013-01	1CT:2CT/1:1	0.80/0.50	35	1.8/0.80	14 Topper	B
A553-0013-03	1:1.385CT/1:1CT	0.80/0.50	35	0.80/0.80	14 Topper	C
A553-0013-05	Pins (1-2):(14:12) 1:1 (1-3):(14:12) 1.25:1 (5-7):(10:8) 1:2CT	0.50/0.50/0.80	50	0.80/0.80/1.8	14 Topper	C
A553-0013-06	1:2CT/1:2CT	0.80/0.80	35	1.8/1.8	14 Topper	C
A553-0013-07	1:1.15CT/1:2CT	0.50/0.80	35	0.80/1.8	14 Topper	C
A553-0013-08	1:1:1.266/1:2CT	0.80/0.80	35	0.80/1.8	14 Topper	C
0553-0013-IC	1:1:1	0.50	35	0.80	6 "T" Topper	E
0553-0013-AC	1:1	0.50	35	0.80	6 "T" Topper	F
0553-0013-BC	1CT:1	0.50	35	0.80	6 "T" Topper	G
0553-0013-HC	1CT:2CT	0.80	35	1.8	6 "T" Topper	K
0553-0013-1J	1:2CT/1:2CT	0.80/0.80	35	1.8/1.8	14 DIL	C
0553-0013-2J	1:2CT/1:1.36	0.80/0.80	35	1.8/0.80	14 DIL	D
0553-0013-4J	1CT:2CT/1:1	0.80/0.50	35	1.8/0.8	14 DIL	B
0553-0013-RC	1:1.15CT	0.50	35	0.80	6 "T" Topper	G
0553-0013-SC	1:1:1.266	0.80	35	0.80	6 "T" Topper	E
0553-1167-00	1:1:1.266/1:2CT	0.50/0.60	35/40	0.80/1.8	14 DIL	C

Schematic and Mechanical information for the above components are located on the facing page.

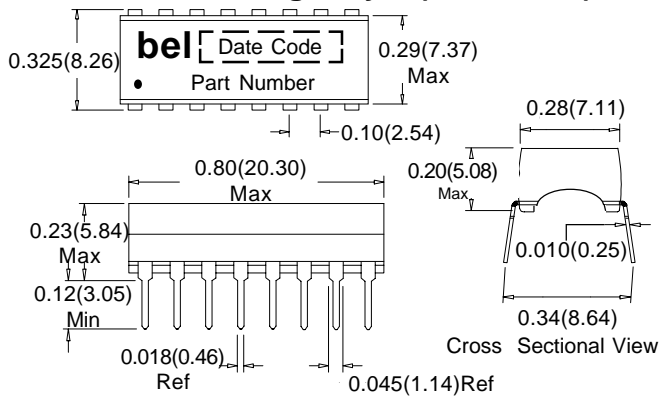
T1 CARRIER INTERFACE TRANSFORMERS

SCHEMATICS



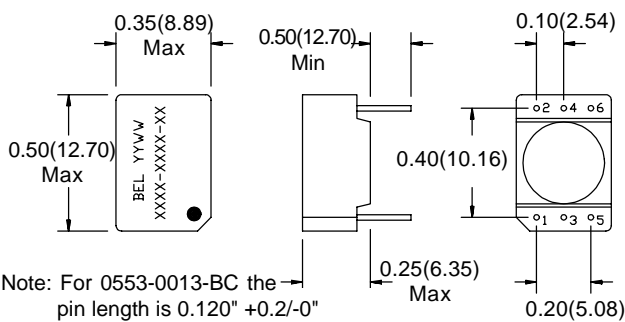
MECHANICALS

Package Style (14/16 Pins)



Note: For 14 Pin package, external package dimensions and pin distances are identical. There are only seven pins per side.

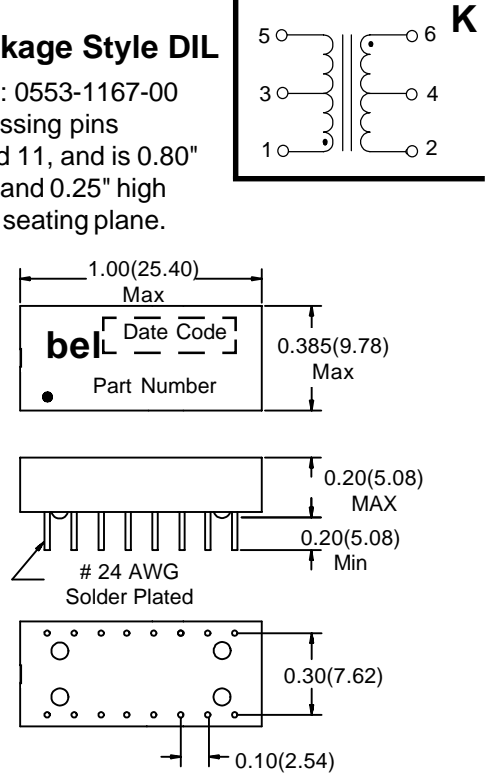
Package Style "T"



Note: For 0553-0013-BC the pin length is 0.120" +0.2/-0"

Package Style DIL

Note: 0553-1167-00 is missing pins 4 and 11, and is 0.80" long and 0.25" high from seating plane.



Dimensions are in inches(mm). Dimension Tolerance is +/- 0.02(0.51) unless otherwise specified.

Corporate Office

Bel Fuse Inc.
 198 Van Vorst Street, Jersey City, NJ 07302-4496
 Tel: 201-432-0463
 Fax: 201-432-9542
 E-Mail: BelFuse@belfuse.com
 Internet: http://www.belfuse.com

Far East Office

Bel Fuse Ltd.
 8F/8 Luk Hop Street
 San Po Kong
 Kowloon, Hong Kong
 Tel: 852-2328-5515
 Fax: 852-2352-3706

European Office

Bel Fuse Europe Ltd.
 Preston Technology Management Centre
 Marsh Lane, Preston PR1 8UD
 Lancashire, U.K.
 Tel: 44-1772-556601
 Fax: 44-1772-888366