

# 10BASE-T NETWORK COMPONENTS

960050A

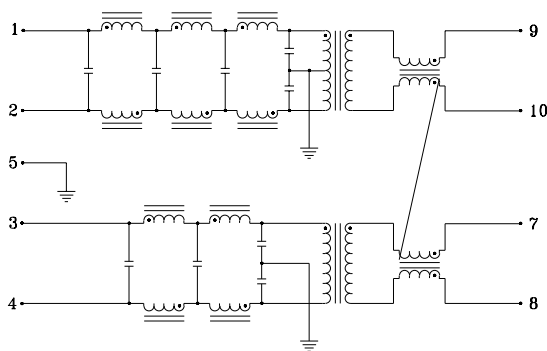
- Designs meet or exceed IEEE 802.3 10Base-T specifications
- Compatible with a variety of 10Base-T transceiver chipsets
- Multiple topologies and pinout variations for optimal performance and layout consideration
- 2000 Vrms isolation
- Through-hole and surface mount packaging

## ELECTRICALS AT 25°C

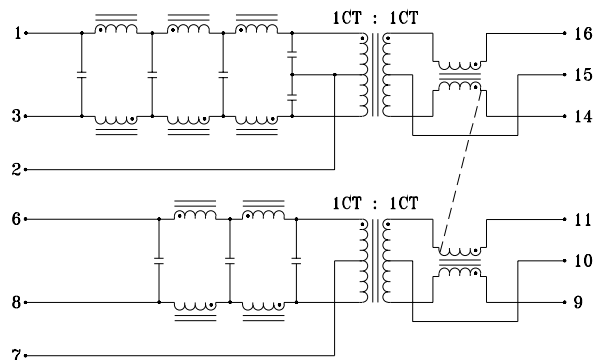
Part No.	Insertion Loss (dB) Max 1-10MHz	Attenuation (dB) Min @30MHz		Return Loss (dB) Min 500KHz-10MHz	Crosstalk (dB) Min		CM-CM Rej (dB) Min			Schematic	Package Style
		TX	RX		1MHz-10MHz	30MHz	30MHz	50MHz	100MHz		
0556-2006-14	-1.0	-27	-15	-15	-45	-30	-40	-40	-30	A	1
0556-3873-03	-1.0	-27	-15	-15	-45	-30	-40	-35	-30	B	6
0556-5999-19	-1.0	-27	-15	-15	-45	-30	-35	-30	-30	C	2
A556-2006-00	-1.0	-27	-15	-15	-45	-30	-35	-30	-25	D	3
A556-2006-02	-1.0	-27	-15	-15	-45	-30	-35	-30	-25	E	3
A556-2006-03	-1.0	-27	-15	-15	-45	-30	-35	-30	-25	F	3
A556-2006-DE	-1.0	-27	-15	-15	-45	-30	--	--	--	G	3
S556-5999-00	-1.0	-27	-15	-15	-45	-30	-35	-30	-25	D	4
S556-5999-02	-1.0	-27	-15	-15	-45	-30	-35	-30	-25	E	4
S556-5999-32	-1.0	-27	-15	-15	-45	-30	-45	-45	-35	H	5
S556-5999-DE	-1.0	-27	-15	-15	-45	-30	--	--	--	G	4

## SCHEMATICS

A



B



### Corporate Office

**Bel Fuse Inc.**  
 198 Van Vorst Street, Jersey City, NJ 07302-4496  
 Tel: 201-432-0463  
 Fax: 201-432-9542  
 E-Mail: [BelFuse@belfuse.com](mailto:BelFuse@belfuse.com)  
 Internet: <http://www.belfuse.com>

### Far East Office

**Bel Fuse Ltd.**  
 8F/8 Luk Hop Street  
 San Po Kong  
 Kowloon, Hong Kong  
 Tel: 852-2328-5515  
 Fax: 852-2352-3706

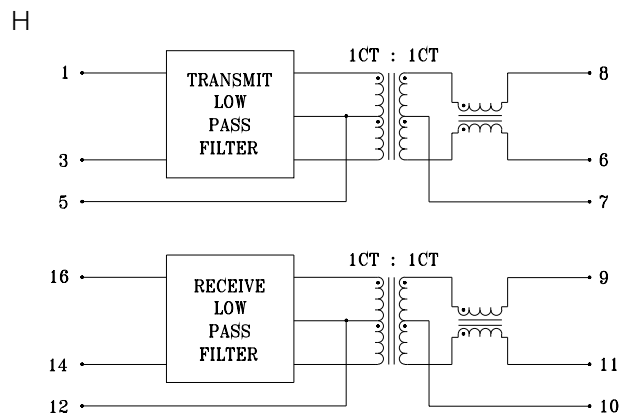
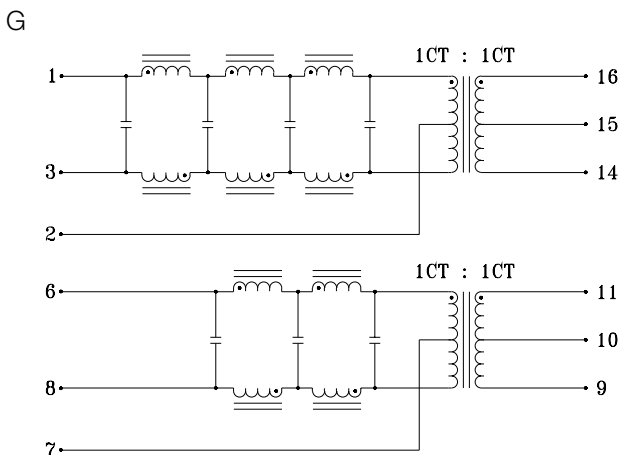
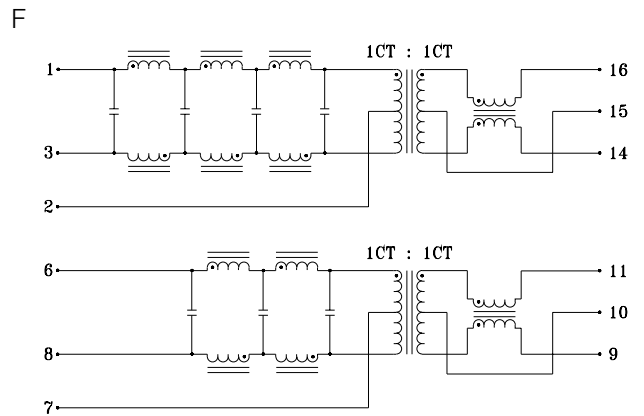
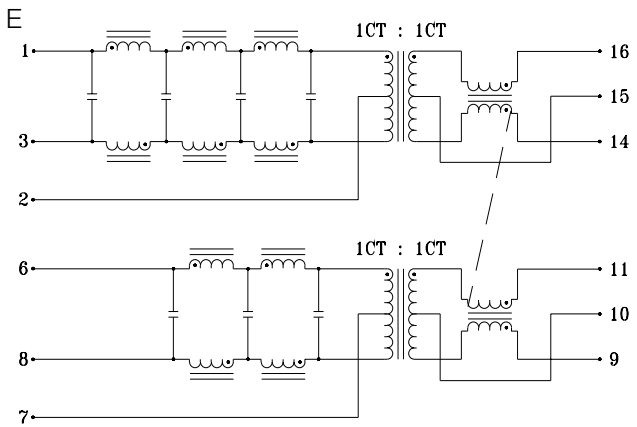
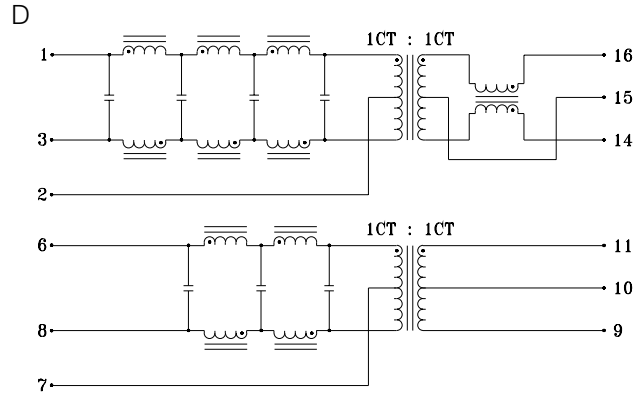
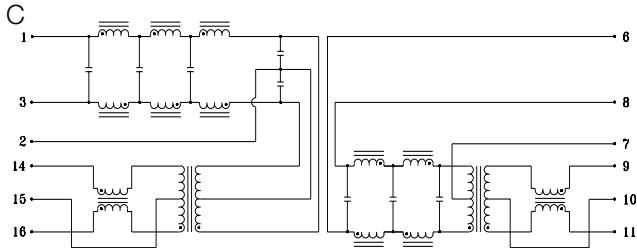
### European Office

**Bel Fuse Europe Ltd.**  
 Preston Technology Management Centre  
 Marsh Lane, Preston PR1 8UD  
 Lancashire, U.K.  
 Tel: 44-1772-556601  
 Fax: 44-1772-888366

## 10BASE-T NETWORK COMPONENTS

960050A

### SCHEMATICS (CONT'D)



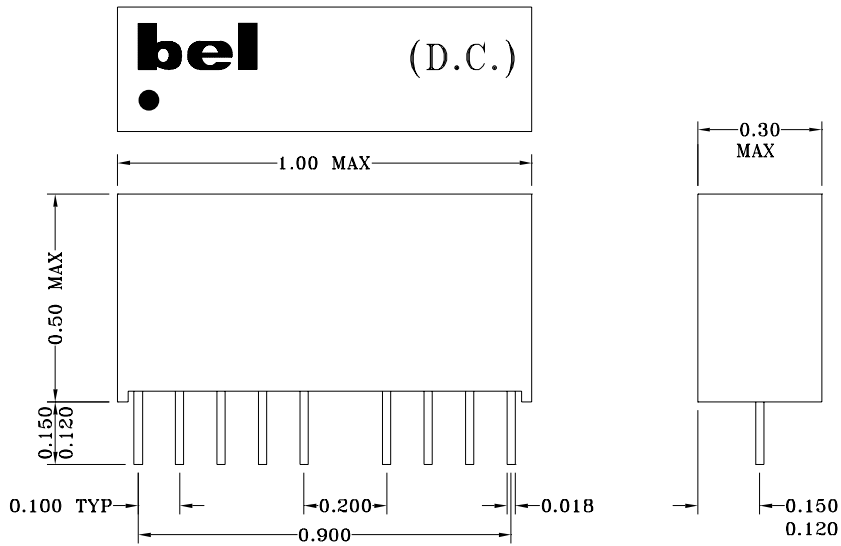
Specifications subject to change without notice.

**10BASE-T NETWORK COMPONENTS**

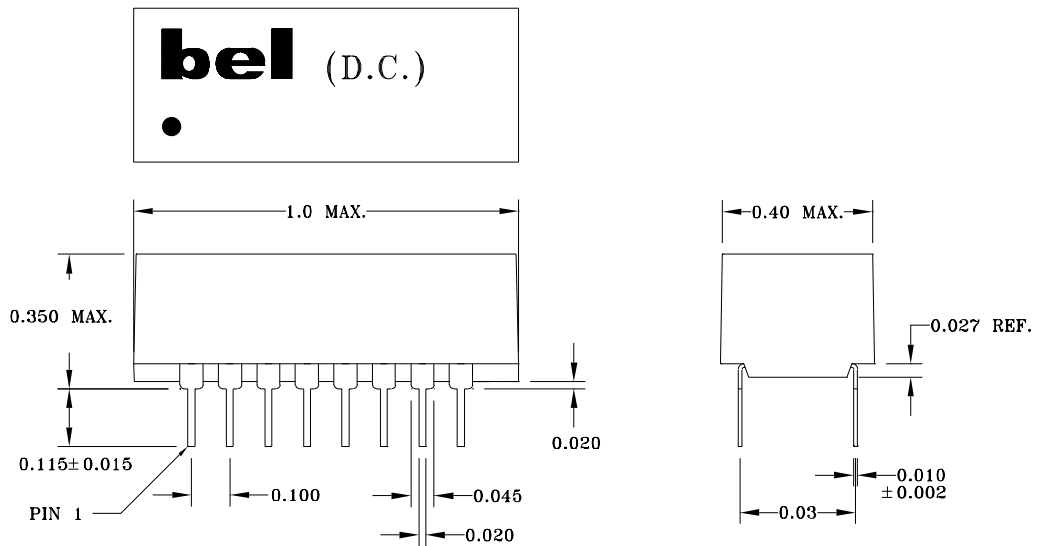
960050A

**MECHANICALS**

1



2



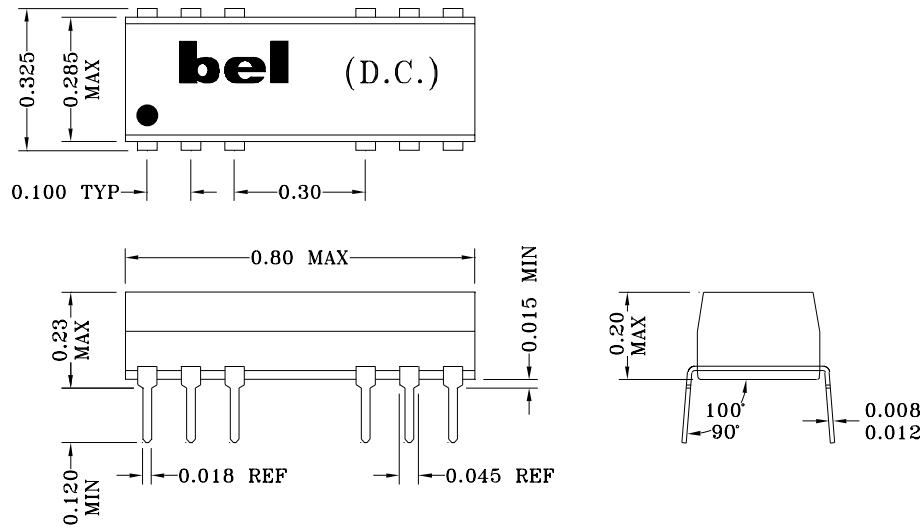
*Specifications subject to change without notice.*

## 10BASE-T NETWORK COMPONENTS

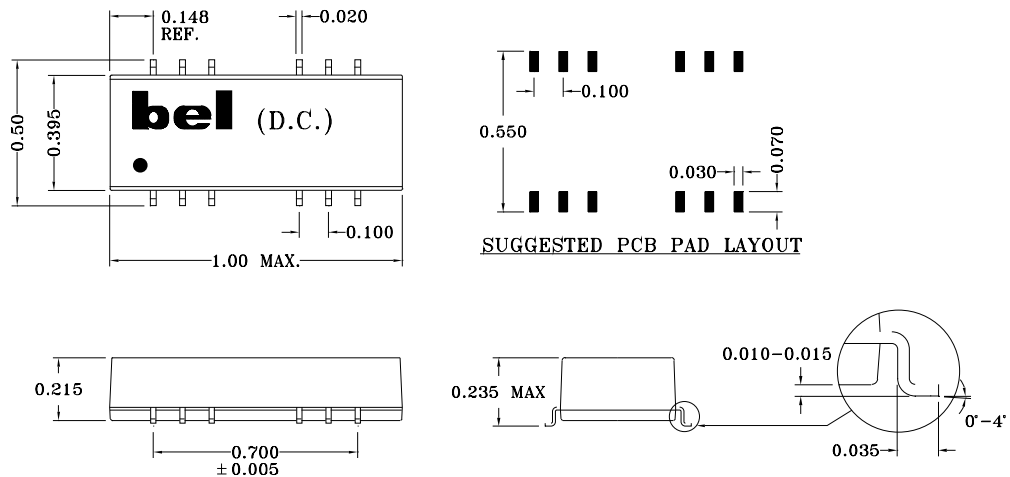
960050A

### MECHANICALS (CONT'D)

3



4



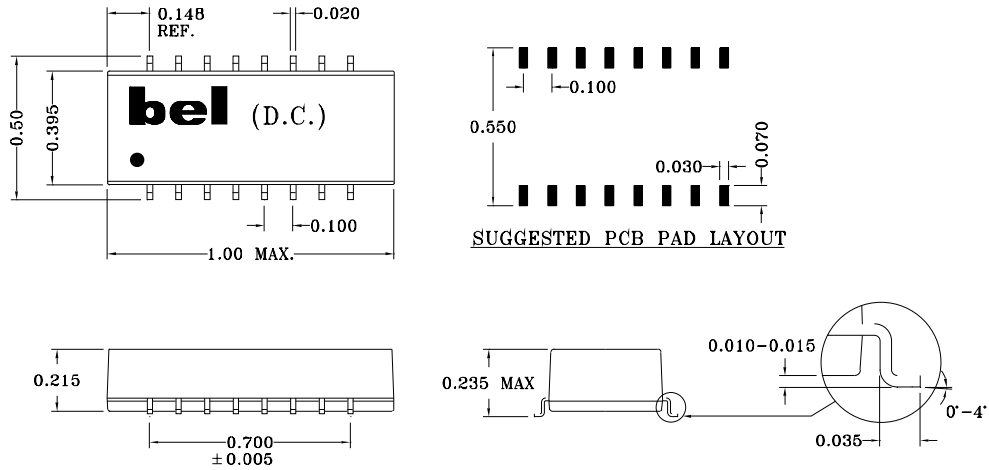
Specifications subject to change without notice.

# 10BASE-T NETWORK COMPONENTS

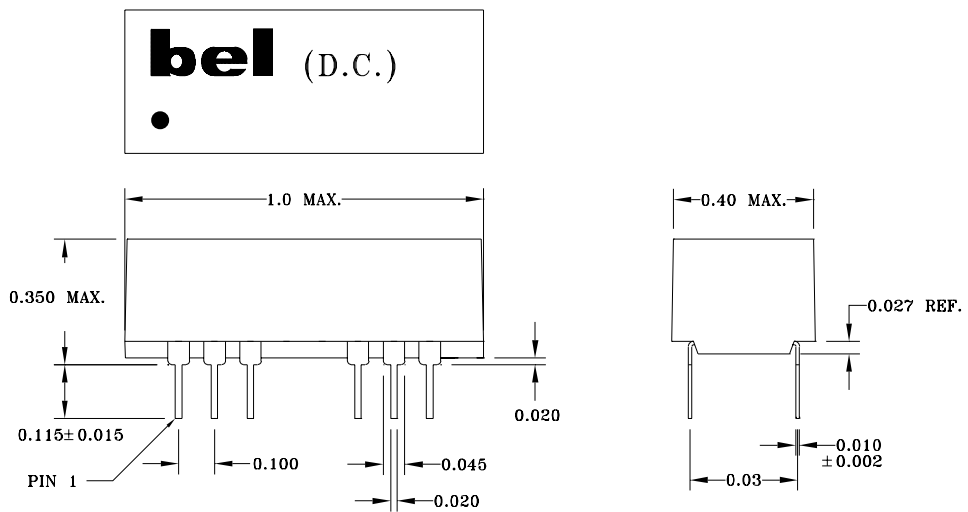
960050A

## MECHANICALS (CONT'D)

5



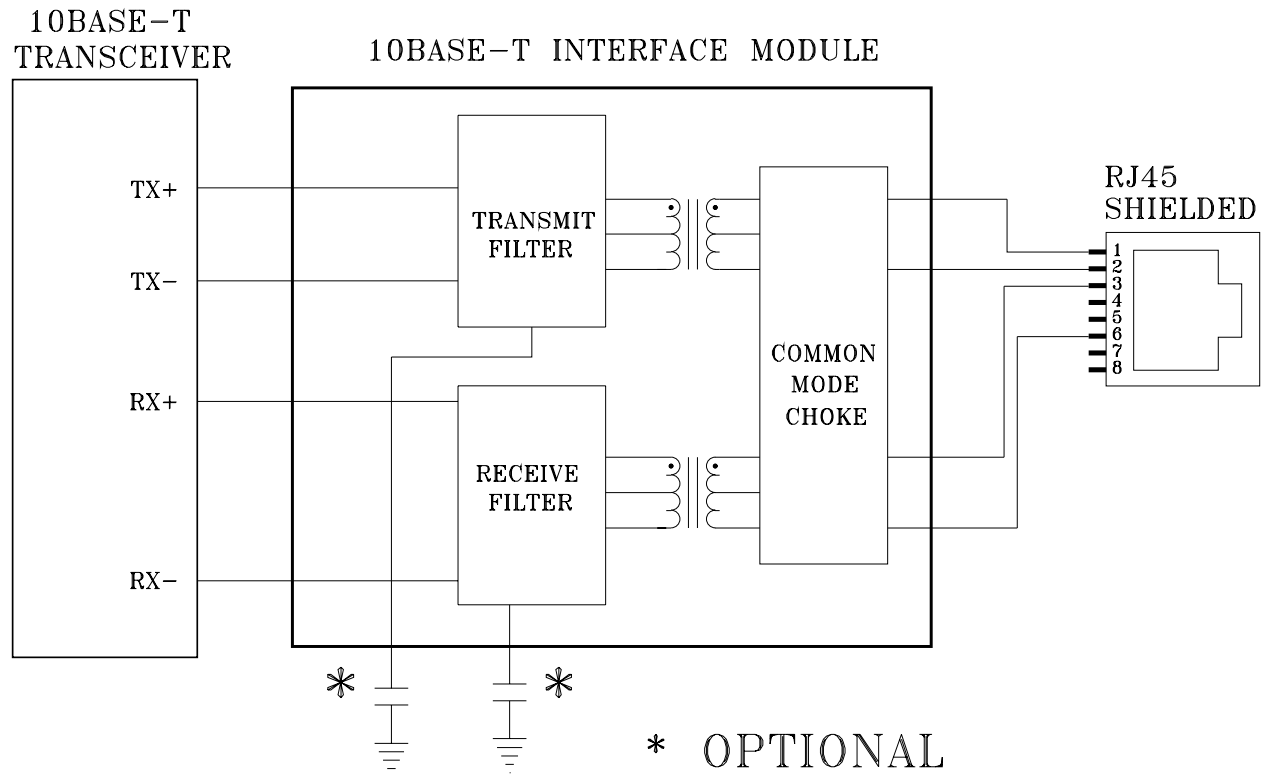
6



Specifications subject to change without notice.

**10BASE-T NETWORK COMPONENTS**

960050A

**APPLICATION CIRCUIT****APPLICATION NOTES**

- Bel's surface mount 10Base-T network component filter modules provide the complete solution as the interface module between the IC transceiver chip and the media side connector. Designed within each module are transmit and receive filter networks, high voltage isolation transformers and high performance EMI suppression common mode chokes. Each module fully meets the IEEE 802.3 standards to 10 Mbps data rates over 100 meters of media cable.
- All of these part types have been designed to provide signal performance optimization, maximum noise reduction and minimum crosstalk interference. Careful board layout and grounding techniques are also critical to control jitter and signal reflections.
- Bel's low profile, surface mount packaging is ideal for high speed pick and place machinery. Parts can be shipped on tape and reel for high speed placement. Construction processes have been implemented for thermal compatibility with high temperature IR reflow assembly processing. Post dipping of leads assist with PC board solderability. Each part is optically inspected to meet rigid coplanarity requirements.

**Corporate Office****Bel Fuse Inc.**

198 Van Vorst Street, Jersey City, NJ 07302-4496  
Tel: 201-432-0463  
Fax: 201-432-9542  
E-Mail: [BelFuse@belfuse.com](mailto:BelFuse@belfuse.com)  
Internet: <http://www.belfuse.com>

**Far East Office****Bel Fuse Ltd.**

8F/8 Luk Hop Street  
San Po Kong  
Kowloon, Hong Kong  
Tel: 852-2328-5515  
Fax: 852-2352-3706

**European Office****Bel Fuse Europe Ltd.**

Preston Technology Management Centre  
Marsh Lane, Preston PR1 8UD  
Lancashire, U.K.  
Tel: 44-1772-556601  
Fax: 44-1772-888366