

## Technical Data:

### Material

- HOUSING: NYLON (Glass Filled) UL 94V-0.
- Metal Housing: Brass (Cu Zn) Ni, Tin plated.

### Electrical:

- Current rating: 15 Amps / way max.
- Insulation resistance: 500M  $\Omega$  (min) / DC 500V.
- Withstanding Voltage: 1500VAC (minute). test time= 60sec/1pcs.
- Operation Voltage: 250 VAC.
- Wire Range: 12-24 AWG.

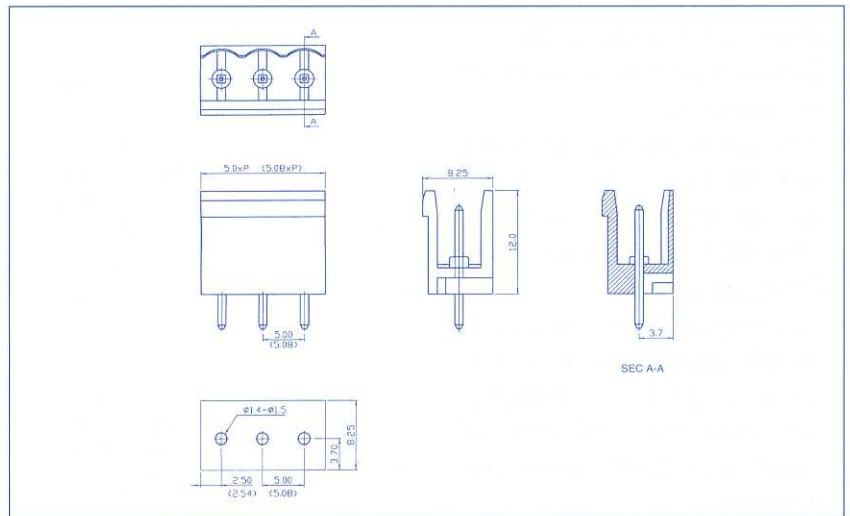
### Mechanical:

- Operating temperature:  $-50^{\circ}\text{C}$  to  $+105^{\circ}\text{C}$
- Solderability: 95 % coverage (Minimum). test temperature=  $230^{\circ}\text{C} \pm 10^{\circ}\text{C}$ . test time= 3sec  $\pm$  0.5sec.

## Application and

### Features:

- Nextron's two piece pluggable and fixed PCB terminal block is designed to plug on to loose pins or pin header strips.
- Configurations from 2-24 poles are available.
- The built in wire guard ensures that the screw does not press directly on the wire. Screw is available in both slot head and Philips design.
- The pluggable system is easy to use either horizontally or vertically. Various combinations for horizontal and vertical insertion to the PC Board are available.



Notes: Please replace 'X' with appropriate coding listed in the tables below

290 - XXX - XXX00

### Number of contact

|          |      |
|----------|------|
| 02-24 po | 02   |
|          | 03   |
|          | etc. |

### Pitch

|               |   |
|---------------|---|
| 5.00mm/.197"  | 1 |
| 10.00mm/.394" | 2 |
| 5.08mm/.200"  | A |
| 10.16mm/.400" | B |

### Housing Type

|       |   |
|-------|---|
| Open  | 0 |
| Close | 1 |
| Latch | 2 |

### Color

|       |   |
|-------|---|
| Green | 5 |
| Blue  | 6 |
| Gray  | 8 |