

A16a SHROUDED HEADER IDC TYPE WITH STEEL SWIN-LOCK

PITCH: 2.54mm

SPECIFICATIONS

Material

Insulator : PBT, glass reinforced, rated UL 94V-0

Contact : Brass

Electrical

Current Rating : 1 Amp DC

Contact Resistance : 30 mΩ max.

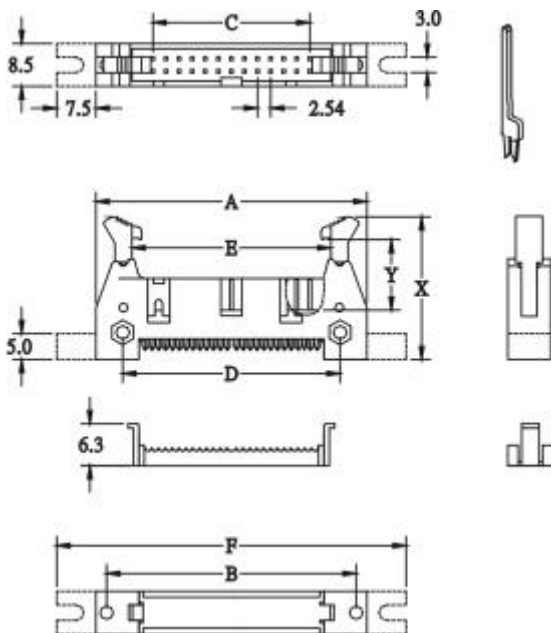
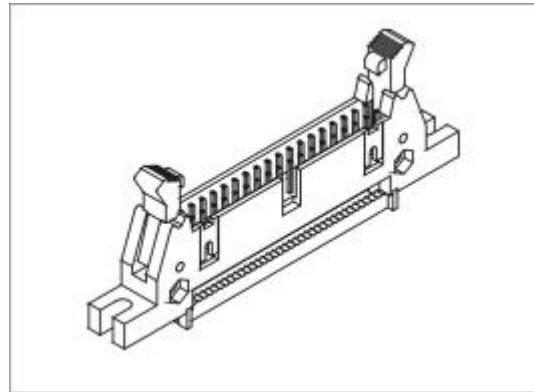
Insulation Resistance : 3000 MΩ min.

Dielectric Withstanding Voltage : 500V AC for 1minute

Operating Temperature : -40°C to +105°C

♦ Terminated with 1.27mm pitch flat ribbon cable.

♦ Mating Suggestion : A01, A01a, A29 & A35 series.



POSITION	A	B	C	D	E	F
10	31.96	25.40	10.16	21.84	17.96	47.08
14	37.10	30.48	15.24	26.92	23.04	52.18
16	39.62	33.02	17.78	29.46	25.58	54.84
20	44.74	38.10	22.86	34.54	30.66	59.90
24	49.82	43.18	27.94	39.62	35.74	64.98
26	52.22	48.26	30.48	42.16	38.28	67.24
30	57.46	53.26	35.56	46.74	43.58	72.64
34	62.52	58.42	40.64	52.32	48.44	77.48
40	70.18	66.04	48.26	59.94	56.60	85.36
50	82.74	78.74	60.96	72.64	68.76	97.90
60	95.68	91.44	73.66	85.34	81.45	110.66
64	100.70	96.52	78.74	90.42	86.54	115.62

ACCESSORIES	X	Y
LONG LATCH	29.2	14.6
SHORT LATCH	25.6	10.6

HOW TO ORDER:

A16a - 1 - 2 - 3 - 4 - 5

1.NO. OF CONTACT	2.CONTACT MATERIAL	3.CONTACT PLATING	4.SPECIAL FUNCTION	5.INSULATOR COLOR
10 14 16 20 24 26 30 34 40 50 60 64	A: BRASS	T: TIN PLATED S: SELECTIVE G: GOLD FLASH A: 5u" INCH GOLD B: 10u" INCH GOLD C: 15u" INCH GOLD D: 30u" INCH GOLD	A: W LONG LATCH W EAR B: W SHORT LATCH W EAR C: W LONG LATCH W/O EAR D: W SHORT LATCH W/O EAR	2. GREY