

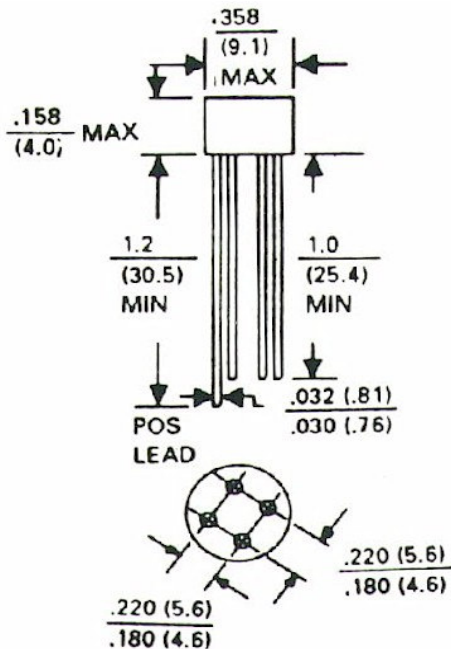


| PRV/Leg          | 50V   | 100V | 200V | 400V | 600V | 800V | 1000V |
|------------------|-------|------|------|------|------|------|-------|
| 1W SERIES 1 Amp  | 1W005 | 1W1  | 1W2  | 1W4  | 1W6  | 1W8  | 1W10  |
| W SERIES 1.5 Amp | W005  | W1   | W2   | W4   | W6   | W8   | W10   |
| 2W SERIES 2 Amp  | 2W005 | 2W1  | 2W2  | 2W4  | 2W6  | 2W8  | 2W10  |

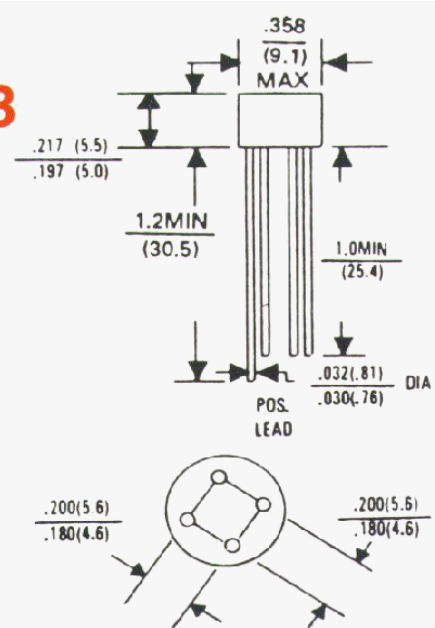
| Electrical Characteristics                           | 1W     | W      | 2W     | UNIT |
|--|--------|--------|--------|------|
| at T <sub>A</sub> = 25° C Unless Otherwise Specified | Series | Series | Series |      |
| Max. DC Reverse Current @ PRV I <sub>R</sub>         | 10     | 10     | 10     | μA   |
| Max Peak Surge Current, I <sub>FSM</sub> (8.3ms)     | 30     | 50     | 5030   | Amp  |
| Package Style  | RB15   | RB15   | WOB    |      |

DIAGRAMS

RB15



WOB



EDI reserves the right to change these specifications at any time without notice.

**ELECTRONIC DEVICES, INC.** DESIGNER AND MANUFACTURERS OF SOLID STATE DEVICES SINCE 1951.

- 21 GRAYOAKS AVENUE YONKERS, NEW YORK, 10710
- 914-965-4400
- 1-800-678-0828
- FAX: 914-965-5531
- e-mail: sales@EDIdiodes.com
- web site: www.EDIdiodes.com