

SS2A - SS2M

PRV : 50 - 1000 Volts
Io : 2.0 Amperes

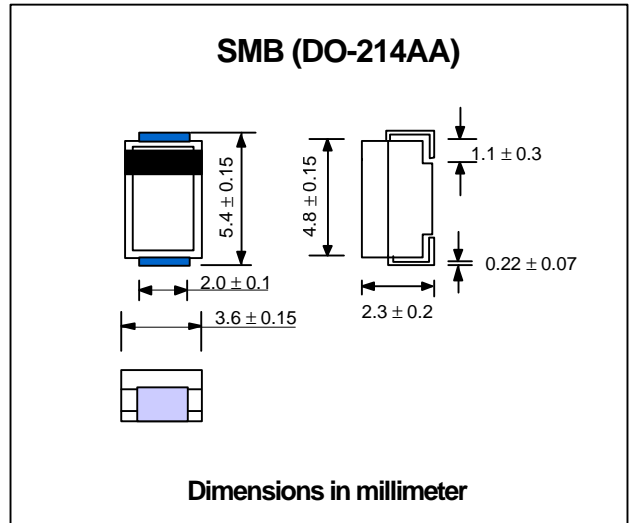
FEATURES :

- * High current capability
- * High surge current capability
- * High reliability
- * Low reverse current
- * Low forward voltage drop
- * Super fast recovery time

MECHANICAL DATA :

- * Case : SMB Molded plastic
- * Epoxy : UL94V-O rate flame retardant
- * Lead : Lead Formed for Surface Mount
- * Polarity : Color band denotes cathode end
- * Mounting position : Any
- * Weight : 0.093 gram

SURFACE MOUNT SUPER FAST RECTIFIERS



MAXIMUM RATINGS AND ELECTRICAL CHARACTERISTICS

Rating at 25 °C ambient temperature unless otherwise specified.
 Single phase, half wave, 60 Hz, resistive or inductive load.
 For capacitive load, derate current by 20%.

RATING	SYMBOL	SS2A	SS2B	SS2C	SS2D	SS2E	SS2G	SS2J	SS2K	SS2M	UNIT
Maximum Recurrent Peak Reverse Voltage	VRRM	50	100	150	200	300	400	600	800	1000	Volts
Maximum RMS Voltage	VRMS	35	70	105	140	210	280	420	560	700	Volts
Maximum DC Blocking Voltage	VDC	50	100	150	200	300	400	600	800	1000	Volts
Maximum Average Forward Current Ta = 55 °C	IF(AV)	2.0									Amps.
Peak Forward Surge Current, 8.3ms Single half sine wave Superimposed on rated load (JEDEC Method)	IFSM	75									Amps.
Maximum Peak Forward Voltage at If = 2.0 A.	VF	0.95			1.4		1.7			Volts	
Maximum DC Reverse Current Ta = 25 °C at Rated DC Blocking Voltage Ta = 100 °C	IR	5									µA
	IR(H)	50									µA
Maximum Reverse Recovery Time (Note 1)	Trr	35									ns
Typical Junction Capacitance (Note 2)	CJ	50									pf
Junction Temperature Range	TJ	- 65 to + 150									°C
Storage Temperature Range	TSTG	- 65 to + 150									°C

Notes :

- (1) Reverse Recovery Test Conditions : If = 0.5 A, Ir = 1.0 A, Irr = 0.25 A.
- (2) Measured at 1.0 MHz and applied reverse voltage of 4.0 Vdc

RATING AND CHARACTERISTIC CURVES (SS2A - SS2M)

FIG.1 - REVERSE RECOVERY TIME CHARACTERISTIC AND TEST CIRCUIT DIAGRAM

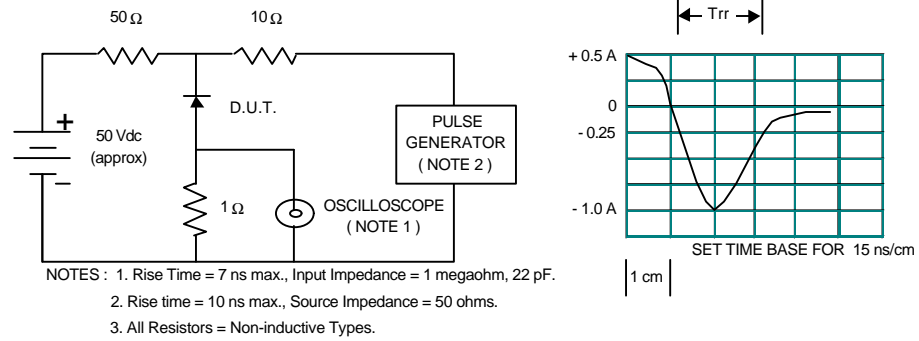


FIG.2 - DERATING CURVE FOR OUTPUT RECTIFIED CURRENT

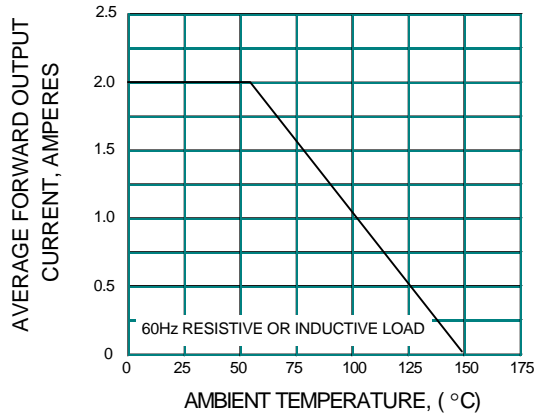


FIG.3 - MAXIMUM NON-REPETITIVE PEAK FORWARD SURGE CURRENT

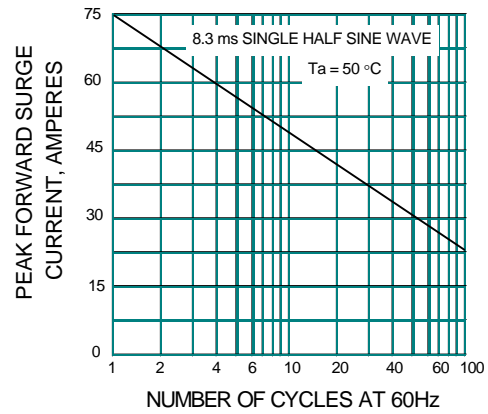


FIG.4 - TYPICAL FORWARD CHARACTERISTICS

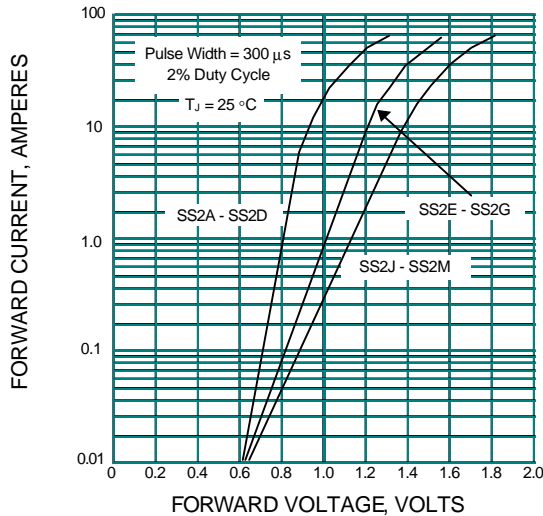


FIG.5 - TYPICAL REVERSE CHARACTERISTICS

