



SPECIFICATION

General Description

The EM39LV040 is a 4M bits Flash memory organized as 512K x 8 bits. The EM39LV040 uses a single 3.0 volt-only power supply for both Read and Write functions. Featuring high performance Flash memory technology, the EM39LV040 provides a typical Byte-Program time of 11 μ sec and a typical Sector-Erase time of 40 ms. The device uses Toggle Bit or Data# Polling to detect the completion of the Program or Erase operation. To protect against inadvertent write, the device has on-chip hardware and software data protection schemes. The device offers typical 100,000 cycles endurance and a greater than 10 years data retention. The EM39LV040 conforms to JEDEC standard pin outs for x8 memories. It is offered in package types of 32-lead PLCC, 32-pin TSOP, and known good die (KGD). For KGD, please contact ELAN Microelectronics or its representatives for detailed information (see Appendix at the bottom of this specification for Ordering Information).

The EM39LV040 devices are developed for applications that require memories with convenient and economical updating of program, data or configurations, e.g., Networking cards, CD-RW, Scanner, Digital TV, Electronic Books, GPS, Router/Switcher, etc.

Features

- **Single Power Supply**
Full voltage range from 2.7 to 3.6 volts for both read and write operations
Regulated voltage range: 3.0 to 3.6 volts for both read and write operations
- **Sector-Erase Capability**
Uniform 4Kbyte sectors
- **Sector-Erase Capability**
Uniform 64Kbyte sectors
- **Read Access Time**
Access time: 45, 55, 70 and 90 ns
- **Power Consumption**
Active current: 5 mA (Typical)
Standby current: 1 μ A (Typical)
- **Erase/Program Features**
Sector-Erase Time: 40 ms (Typical)
Chip-Erase Time: 40 ms (Typical)
Byte-Program Time: 11 μ s (Typical)
Chip Rewrite Time: 6 seconds (Typical)
- **End-of-Program or End-of-Erase Detection**
Data# Polling
Toggle Bit
- **CMOS I/O Compatibility**
- **JEDEC Standard**
Pin-out and software command sets compatible with single-power supply Flash memory
- **High Reliability**
Endurance cycles: 100K (Typical)
Data retention: 10 years
- **Package Option**
32-pin PLCC
32-pin TSOP



SPECIFICATION

Functional Block Diagram

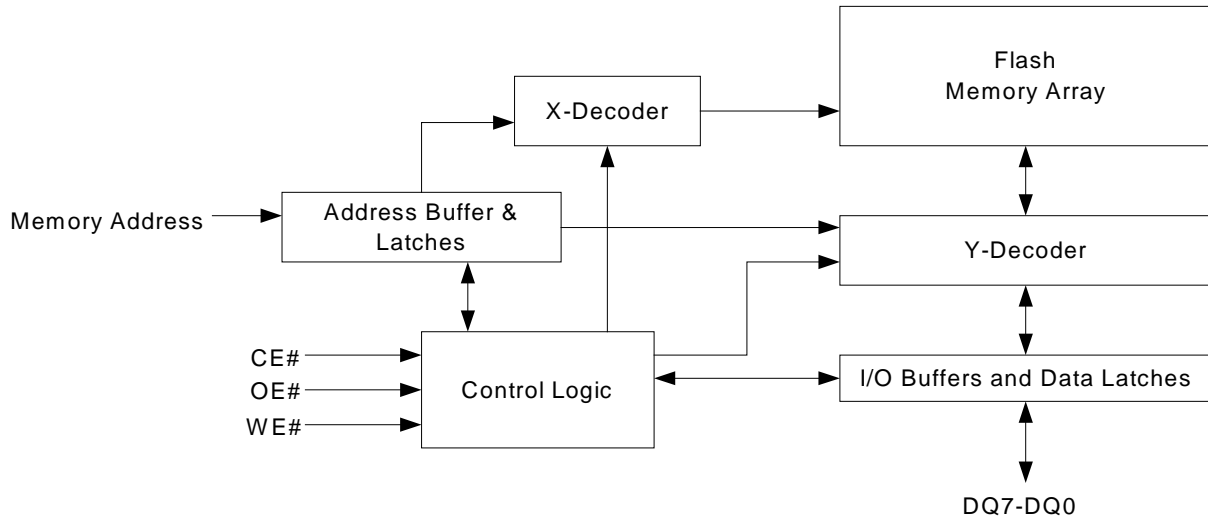


Figure 0a: Functional Block Diagram

Pin Assignments

32-Lead PLCC

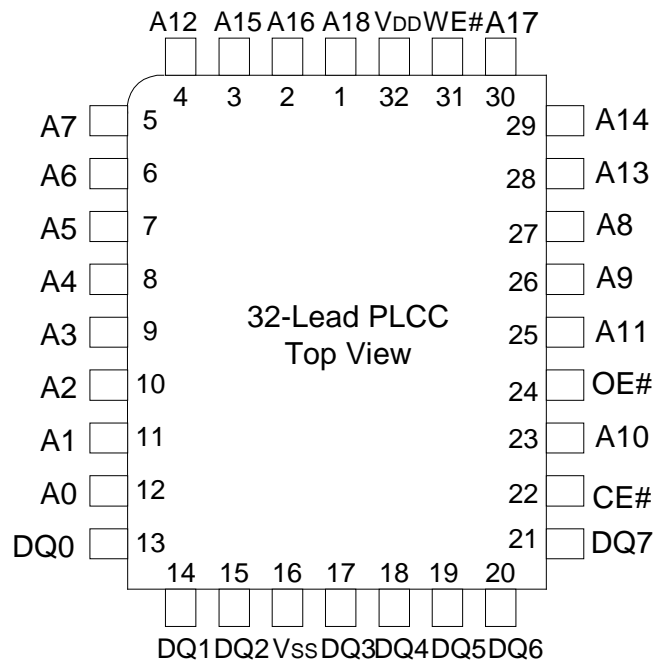


Figure 0b: PLCC Pin Assignments



SPECIFICATION

32-Lead TSOP

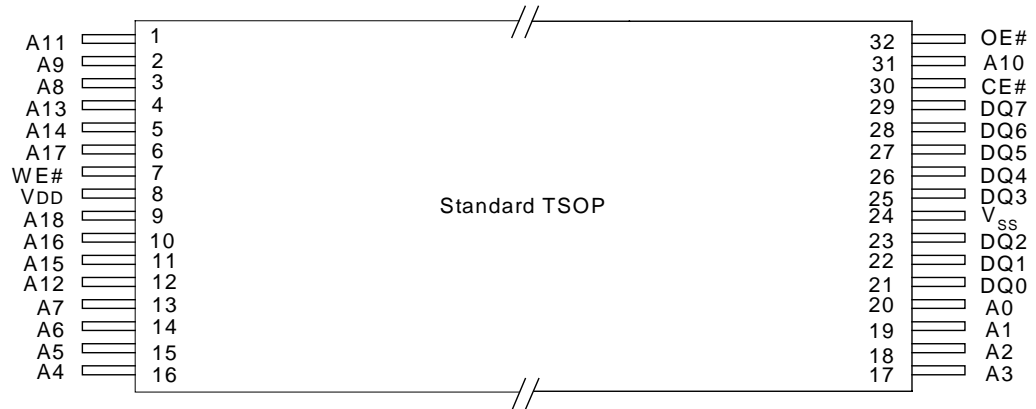


Figure 0c: TSOP Pin Assignments

Pin Description

Pin Name	Function
A0–A18	19 addresses
DQ7–DQ0	Data inputs/outputs
CE#	Chip enable
OE#	Output enable
WE#	Write enable
V _{DD}	3.0 volt-only single power supply*
V _{SS}	Device ground

*See Appendix for ordering information on speed options and voltage supply tolerances.

Table 1: Pin Description



SPECIFICATION

Device Operation

The EM39LV040 uses Commands to initiate the memory operation functions. The Commands are written to the device by asserting WE# Low while keeping CE# Low. The address bus is latched on the falling edge of WE# or CE#, whichever occurs last. The data bus is latched on the rising edge of WE# or CE#, whichever occurs first.

Read

The Read operation of the EM39LV040 is controlled by CE# and OE#. Both have to be Low for the system to obtain data from the outputs. CE# is used for device selection. When CE# is high, the chip is deselected and only standby power is consumed. OE# is the output control and is used to gate data from the output pins. The data bus is in high impedance state when either CE# or OE# is high. Refer to the Read Cycle Timing Diagram in Figure 1 for further details.

Byte Program

The EM39LV040 is programmed on a byte-by-byte basis. Before programming, the sector where the byte is located; must be erased completely. The Program operation is accomplished in three steps:

- The first step is a three-byte load sequence for Software Data Protection.
- The second step is to load byte address and byte data. During the Byte Program operation, the addresses are latched on the falling edge of either CE# or WE#, whichever occurs last; and the data is latched on the rising edge of either CE# or WE#, whichever occurs first.
- The third step is the internal Program operation which is initiated after the rising edge of the fourth WE# or CE#, whichever occurs first. The Program operation, once initiated, will be completed within 16 μ s. See Figures 2 and 3 for WE# and CE# controlled Program operation timing diagrams respectively and Figure 12 for the corresponding flowchart.

During the Program operation, the only valid reads are Data# Polling and Toggle Bit. During the internal Program operation, the host is free to perform additional tasks. Any command issued during the internal Program operation is ignored.



SPECIFICATION

EM39LV040 Device Operation

Operation	CE#	OE#	WE#	DQ	Address
Read	V _{IL}	V _{IL}	V _{IH}	D _{OUT}	A _{IN}
Program	V _{IL}	V _{IH}	V _{IL}	D _{IN}	A _{IN}
Erase	V _{IL}	V _{IH}	V _{IL}	X*	Sector or Block address, XXH for Chip-Erase
Standby	V _{IH}	X	X	High Z	X
Write Inhibit	X	V _{IL}	X	High Z/D _{OUT}	X
Write Inhibit	X	X	V _{IH}	High Z/D _{OUT}	X
Software Mode	V _{IL}	V _{IL}	V _{IH}		See Table 3
Product Identification					

* X can be V_{IL} or V_{IH}, but no other value.

Table 2: EM39LV040 Device Operation

Write Command/Command Sequence

The EM39LV040 provides two software methods to detect the completion of a Program or Erase cycle in order to optimize the system write cycle time. The software detection includes two status bits: Data# Polling (DQ7) and Toggle Bit (DQ6). The End-of-Write detection mode is enabled after the rising edge of WE#, which initiates the internal Program or Erase operation. The actual completion of the write operation is asynchronous with the system; therefore, either a Data# Polling or Toggle Bit read may be simultaneously completed with the write cycle. If this occurs, the system may possibly get an erroneous result, i.e., valid data may appear to conflict with either DQ7 or DQ6. In order to prevent such spurious rejection, when an erroneous result occurs, the software routine should include an additional two times loop to read the accessed location. If both reads are valid, then the device has completed the write cycle, otherwise the rejection is valid.

Chip Erase

The EM39LV040 provides Chip-Erase feature, which allows the entire memory array to be erased to logic "1" state. The Chip-Erase operation is initiated by executing a six-byte command sequence with Chip-Erase command (10H) at address 5555H in the last byte sequence. The Erase operation begins with the rising edge of the sixth WE# or CE#, whichever occurs first. During the Erase operation, the only valid reads are Toggle Bit and Data# Polling. See Table 3 for the command sequence, Figure 6 for timing diagram, and Figure 15 for the corresponding flowchart. Any command issued during the Chip-Erase operation is ignored.



SPECIFICATION

Sector Erase

The EM39LV040 offers Sector-Erase mode. The Sector-Erase operation allows the system to erase the device on a sector-by-sector basis. The sector architecture is based on uniform sector size of 4 KByte. The Sector-Erase operation is initiated by executing a six-byte command sequence with Sector-Erase command (30H) and Sector Address (SA) in the last bus cycle. The sector or block address is latched on the falling edge of the sixth WE# pulse, while the command (30H) is latched on the rising edge of the sixth WE# pulse. The internal Erase operation begins after the sixth WE# pulse. The End-of-Erase operation can be determined by using either Data# Polling or Toggle Bit method. See Figures 7 for timing waveforms. Any command issued during the Sector-Erase operation is ignored.

Data# Polling (DQ7)

When the EM39LV040 is in the internal Program operation, any attempt to read DQ7 will produce the complement of the true data. Once the Program operation is completed, DQ7 will produce the true data. Note that even though DQ7 may have valid data immediately following the completion of an internal Program operation, the remaining data outputs may still be invalid (valid data on the entire data bus will appear in subsequent successive Read cycles after an interval of 1 μ s). During internal Erase operation, any attempt to read DQ7 will produce a "0". Once the internal Erase operation is completed, DQ7 will produce a "1". The Data# Polling is valid after the rising edge of fourth WE# (or CE#) pulse for Program operation. For Sector-Erase or Chip-Erase, the Data# Polling is valid after the rising edge of sixth WE# (or CE#) pulse. See Figure 4 for Data# Polling timing diagram and Figure 13 for the corresponding flowchart.

Toggle Bit (DQ6)

During the internal Program or Erase operation, any consecutive attempts to read DQ6 will produce alternating 1s and 0s, i.e., toggling between 1 and 0. When the internal Program or Erase operation is completed, the DQ6 bit will stop toggling. The device is then ready for the next operation. The Toggle Bit is valid after the rising edge of fourth WE# (or CE#) pulse for Program operation. For Sector-Erase or Chip-Erase, the Toggle Bit is valid after the rising edge of sixth WE# (or CE#) pulse. See Figure 5 for Toggle Bit timing diagram and Figure 13 for the corresponding flowchart.

Data Protection

The EM39LV040 provides both hardware and software features to protect the data from inadvertent write.



SPECIFICATION

Hardware Data Protection

Noise/Glitch Protection: A WE# or CE# pulse of less than 5 ns will not initiate a write cycle.

V_{DD} Power Up/Down Detection: The Write operation is inhibited when V_{DD} is less than 1.5V.

Write Inhibit Mode: Forcing OE# Low, CE# High, or WE# High will inhibit the Write operation. This prevents inadvertent write during power-up or power-down.

Software Data Protection (SDP)

The EM39LV040 provides the JEDEC approved Software Data Protection (SDP) scheme for Program and Erase operations. Any Program operation requires the inclusion of the three-byte sequence. The three-byte load sequence is used to initiate the Program operation, providing optimal protection from inadvertent Write operations, especially during the system power-up or power-down transition. Any Erase operation requires the inclusion of six-byte sequence. See Table 3 below for the specific software command codes. During SDP command sequence, invalid commands will abort the device to Read mode within T_{RC}.

Software Command Sequence

Command Sequence	1st Bus Write Cycle		2nd Bus Write Cycle		3rd Bus Write Cycle		4th Bus Write Cycle		5th Bus Write Cycle		6th Bus Write Cycle	
	Addr ¹	Data	Addr ¹	Data	Addr ¹	Data	Addr ¹	Data	Addr ¹	Data	Addr ¹	Data
Byte Program	5555H	AAH	2AAAH	55H	5555H	A0H	BA ²	Data				
Sector Erase	5555H	AAH	2AAAH	55H	5555H	80H	5555H	AAH	2AAAH	55H	SA _X ³	30H
Chip Erase	5555H	AAH	2AAAH	55H	5555H	80H	5555H	AAH	2AAAH	55H	5555H	10H
Software ID Entry ⁴	5555H	AAH	2AAAH	55H	5555H	90H						
Manufacture ID	5555H	AAH	2AAAH	55H	5555H	90H	0000H	7FH				
Manufacture ID	5555H	AAH	2AAAH	55H	5555H	90H	0003H	7FH				
Manufacture ID	5555H	AAH	2AAAH	55H	5555H	90H	0040H	1FH				
Device ID	5555H	AAH	2AAAH	55H	5555H	90H	0001H	29FH				
Software ID Exit ⁵	XXH	F0H										
Software ID Exit ⁵	5555H	AAH	2AAAH	55H	5555H	F0H						

Notes:

1. Address format A18-A0 (Hex) & Address A16 can be V_{IL} or V_{IH}, (but no other value) for the Command sequence.
2. BA = Program byte address.
3. SA_X for Sector-Erase; uses A19-A12 address lines.
4. The device does not remain in Software Product ID mode if powered down (see Figure 9 for more information).
5. Both Software ID Exit operations are equivalent.

Table 3: Software Command Sequence



SPECIFICATION

Absolute Maximum Ratings

NOTE

Applied conditions greater than these specified ratings may cause permanent damage to the device. These are stress ratings only and functional operation of the device at these conditions or conditions greater than those defined in the operational sections of this specification, are not implied. Exposure to absolute maximum stress rating condition may affect device reliability.

- Temperature Under Bias-55°C to 125°C
- Storage Temperature-65°C to 150°C
- D.C. Voltage on Any Pin to Ground Potential-0.5 V to V_{DD}+0.5V
- Transient Voltage (<20ns) on Any Pin to Ground Potential-2.0V to V_{DD} +2.0V
- Voltage on A9 Pin to Ground Potential.....-0.5 V to 13.2V
- Package Power Dissipation Capability (Ta=25°C).....1.0W
- Surface Mount Lead Soldering Temperature (3 Seconds)240°C
- Output Short Circuit Current *50mA

* Output shorted for no more than one second.
 No more than one output shorted at a time.

Operating Range

Model Name	Range	Ambient Temperature	VDD
AC39LV040	Commercial	0°C to +70°C	Full voltage range: 2.7~3.6V
			Regulated voltage range: 3.0~3.6V
	Industrial	-40°C to +85°C	Full voltage range: 2.7~3.6V
			Regulated voltage range: 3.0~3.6V

Table 4: Operating Range

AC Conditions for Testing

- Input Rise/Fall Time.....5ns
- Output Load.....CL=30pF for 45Rns
- Output Load.....CL=100pF for 70ns/90ns
- See Figures 10 and 11 for more details.



SPECIFICATION

DC CHARACTERISTICS (CMOS Compatible)

Parameter	Description	Test Conditions	Min	Max	Unit
I _{DD}	Power Supply Current	Address Input =V _{IL} /V _{IH} , at f=1/T _{RC} Min, V _{DD} =V _{DD} Max			
	Read	CE#=OE#=V _{IL} , WE#=V _{IH} , all I/Os open		20	mA
	Program and Erase	CE#=WE#=V _{IL} , OE#=V _{IH} ,		30	mA
I _{SB}	Standby V _{DD} Current	CE#=V _{IHC} , V _{DD} =V _{DD} Max		10	μA
I _{LI}	Input Leakage Current	V _{IN} =GND to V _{DD} , V _{DD} =V _{DD} Max		1	μA
I _{LO}	Output Leakage Current	V _{OUT} =GND to V _{DD} , V _{DD} =V _{DD} Max		10	μA
V _{IL}	Input Low Voltage	V _{DD} =V _{DD} Min		0.8	V
V _{IH}	Input High Voltage	V _{DD} =V _{DD} Max	0.7 V _{DD}		V
V _{IHC}	Input High Voltage (CMOS)	V _{DD} =V _{DD} Max	V _{DD} -0.3		V
V _{OL}	Output Low Voltage	I _{OL} =100μA, V _{DD} =V _{DD} Min		0.2	V
V _{OH}	Output High Voltage	I _{OH} =-100μA, V _{DD} =V _{DD} Min	V _{DD} -0.2		V

Table 5: DC Characteristics (Cmos Compatible)

Recommended System Power-up Timing

Parameter	Description	Min	Unit
T _{PU-READ} *	Power-up to Read Operation	100	μs
T _{PU-WRITE} *	Power-up to Program/Erase Operation	100	μs

* This parameter is measured only for initial qualification and after a design or process change that could affect this parameter.

Table 6: Recommended System Power-up Timing

Capacitance (Ta = 25°C, f = 1Mhz, other pins open)

Parameter	Description	Test Conditons	Max
C _{I/O} *	I/O Pin Capacitance	V _{I/O} =0V	12pF
C _{IN} *	Input Capacitance	V _{IN} =0V	6pF

* This parameter is measured only for initial qualification and after a design or process change that could affect this parameter.

Table 7: Capacitance (Ta = 25°C, f = 1Mhz, Other Pins Open)

Reliability Characteristics

Symbol	Parameter	Min Specification	Unit	Test Method
N _{END} *	Endurance	10,000	Cycles	JEDEC Standard A117
T _{DR} *	Data Retention	10	Years	JEDEC Standard A103
I _{LTH} *	Latch Up	100+I _{DD}	mA	JEDEC Standard 78

* This parameter is measured only for initial qualification and after a design or process change that could affect this parameter.

Table 8: Reliability Characteristics



SPECIFICATION

AC Characteristics

Read Cycle Timing Parameters

Symbol	Parameter	45REC		55REC		70REC		90REC		Unit
		Min	Max	Min	Max	Min	Max	Min	Max	
T _{RC}	Read Cycle Time	45		55		70	0	90		ns
T _{CE}	Chip Enable Access Time		45		55		70		90	ns
T _{AA}	Address Access Time		45		55		70		90	ns
T _{OE}	Output Enable Access Time		30		30		35		45	ns
T _{CLZ} *	CE# Low to Active Output	0		0		0		0		ns
T _{OLZ} *	OE# Low to Active Output	0		0		0		0		ns
T _{CHZ} *	CE# High to High-Z Output		15		15		25		30	ns
T _{OHZ} *	OE# High to High-Z Output		15		15		25		30	ns
T _{OH} *	Output Hold from Address Change	0		0		0		0		ns

* This parameter is measured only for initial qualification and after a design or process change that could affect this parameter.

Table 9: Read Cycle Timing Parameters

Program/Erase Cycle Timing Parameter

Symbol	Parameter	Min	Max	Unit
T _{BP}	Byte-Program Time		16	μs
T _{AS}	Address Setup Time	0		ns
T _{AH}	Address Hold Time	30		ns
T _{CS}	WE# and CE# Setup Time	0		ns
T _{CH}	WE# and CE# Hold Time	0		ns
T _{OES}	OE# High Setup Time	0		ns
T _{OEH}	OE# High Hold Time	10		ns
T _{CP}	CE# Pulse Width	40		ns
T _{WP}	WE# Pulse Width	40		ns
T _{WPH} *	WE# Pulse Width High	30		ns
T _{CPH} *	CE# Pulse Width High	30		ns
T _{DS}	Data Setup Time	40		ns
T _{DH} *	Data Hold Time	0		ns
T _{IDA} *	Software ID Access and Exit Time		150	ns
T _{SE}	Sector Erase		60	ms
T _{SCE}	Chip Erase		60	ms

* This parameter is measured only for initial qualification and after a design or process change that could affect this parameter.

Table 10: Program/Erase Cycle Timing Parameter



SPECIFICATION

Timing Diagrams

Read Cycle Timing Diagram

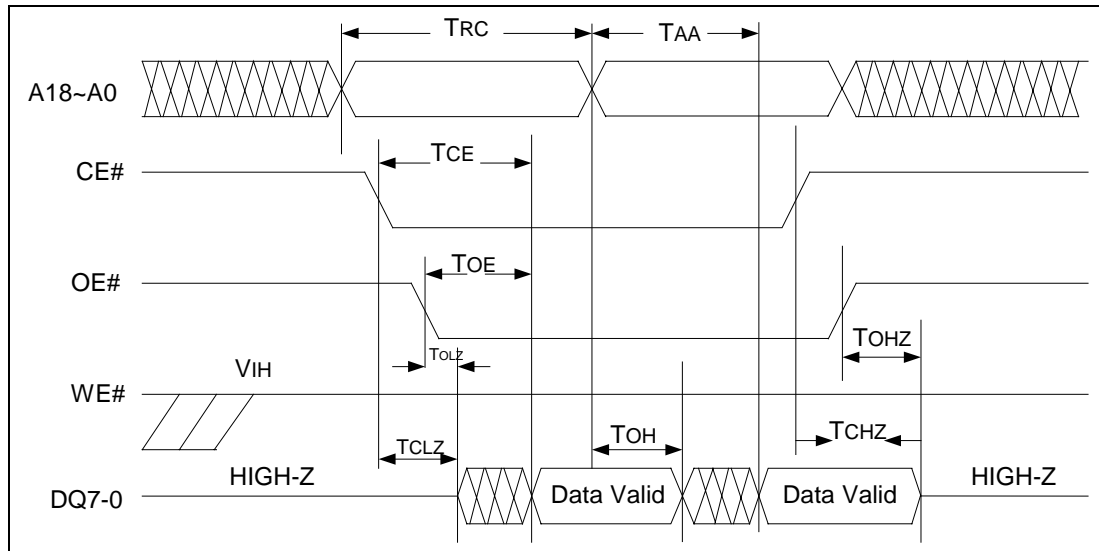


Figure 1: Read Cycle Timing Diagram

WE# Controlled Program Cycle Timing Diagram

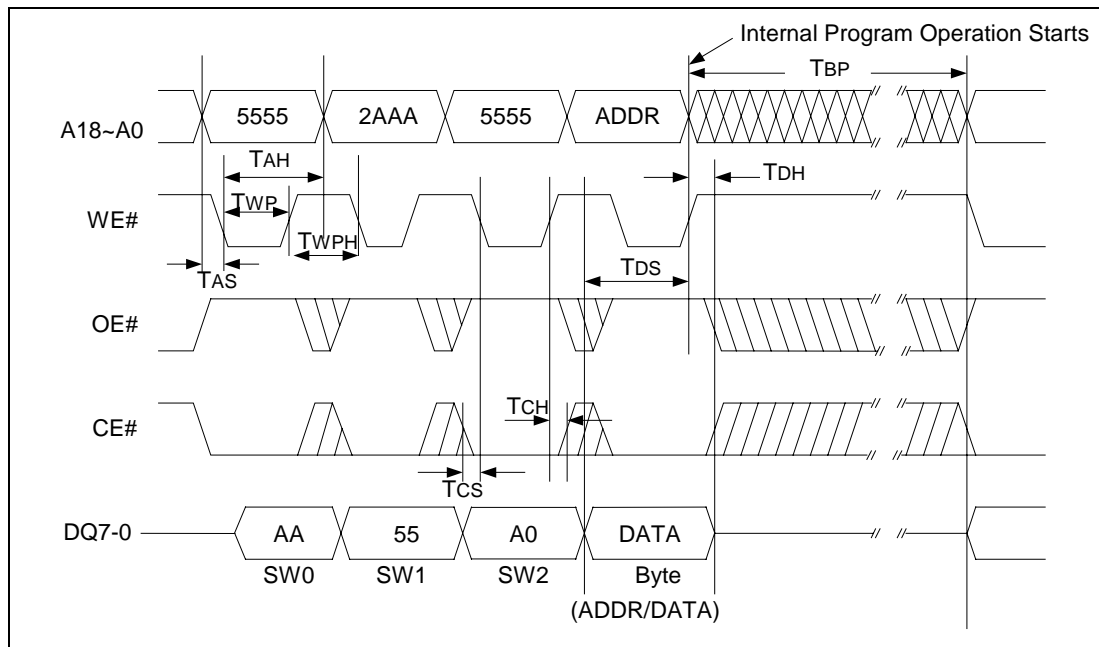


Figure 2: WE# Controlled Program Cycle Timing Diagram



SPECIFICATION

CE# Controlled Program Cycle Timing Diagram

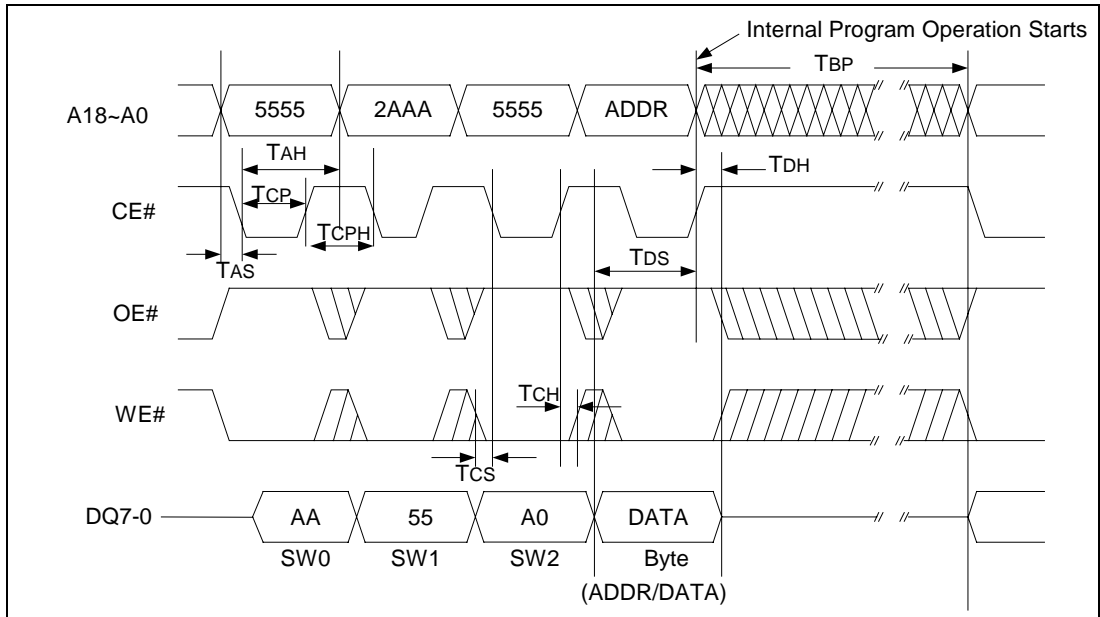


Figure 3: CE# Controlled Program Cycle Timing Diagram

Data# Polling Timing Diagram

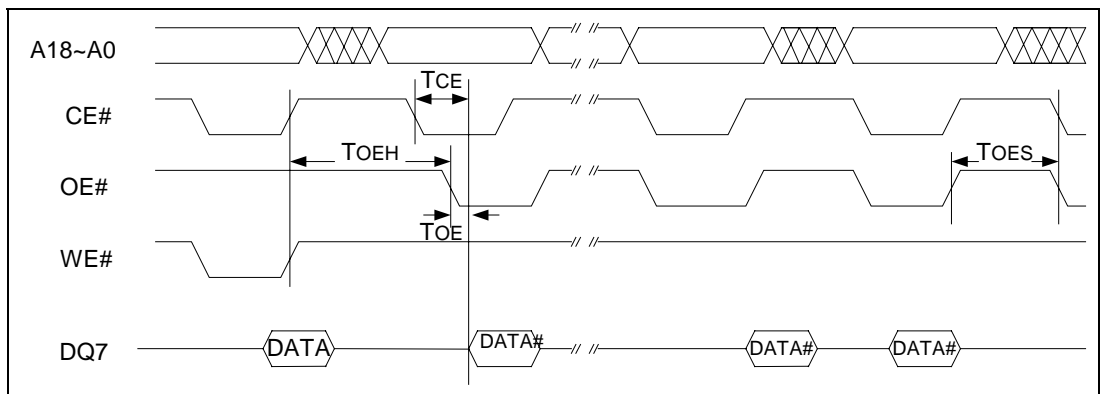


Figure 4: Data# Polling Timing Diagram



SPECIFICATION

Toggle Bit Timing Diagram

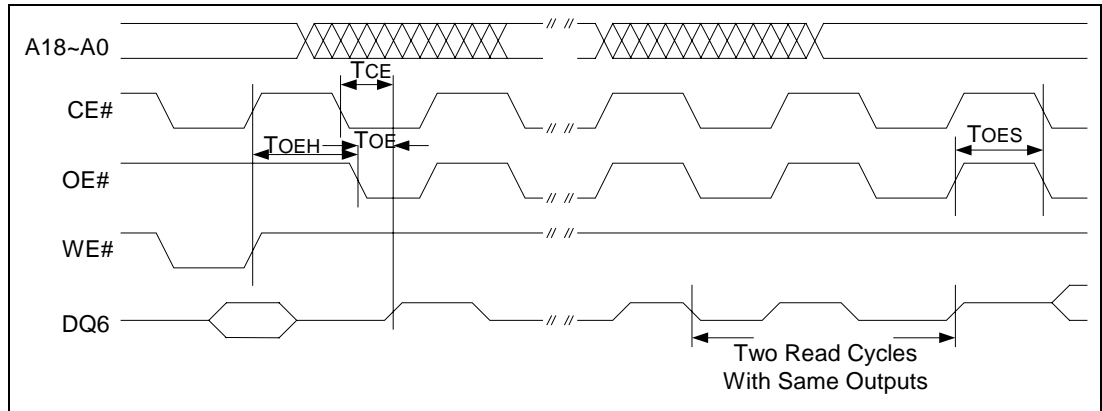


Figure 5: Toggle Bit Timing Diagram

WE# Controlled Chip-Erase Timing Diagram

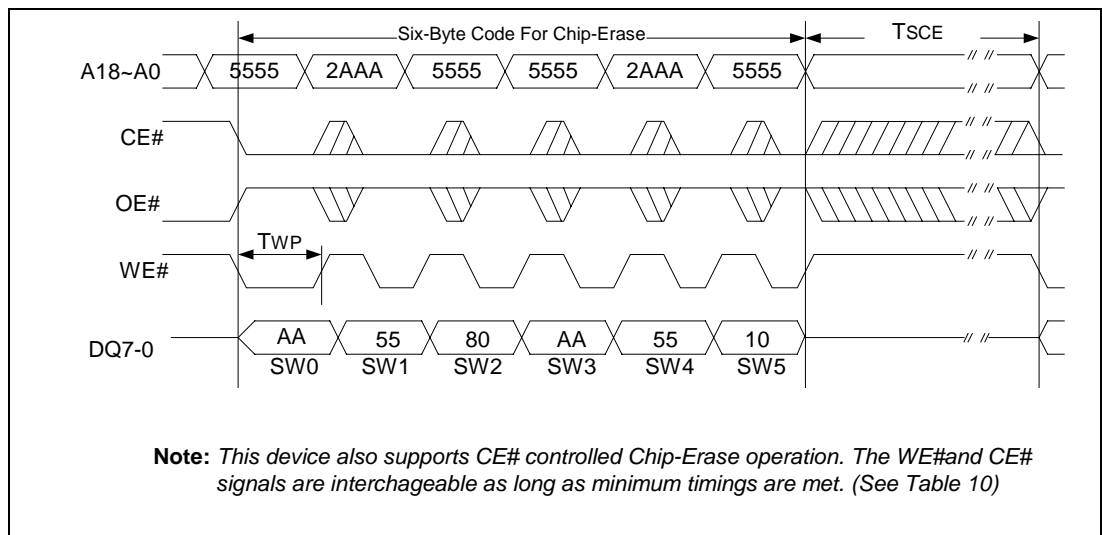


Figure 6: WE# Controlled Chip-Erase Timing Diagram

SPECIFICATION

WE# Controlled Sector-Erase Timing Diagram

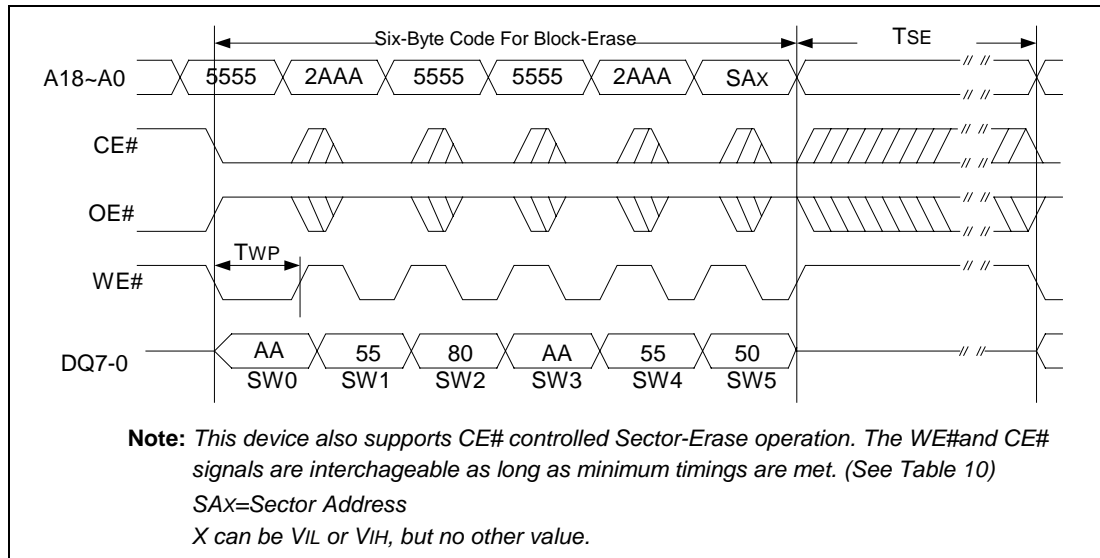


Figure 7: WE# Controlled Sector-Erase Timing Diagram

Software ID Entry/Exit and Read

Software ID Entry and Read

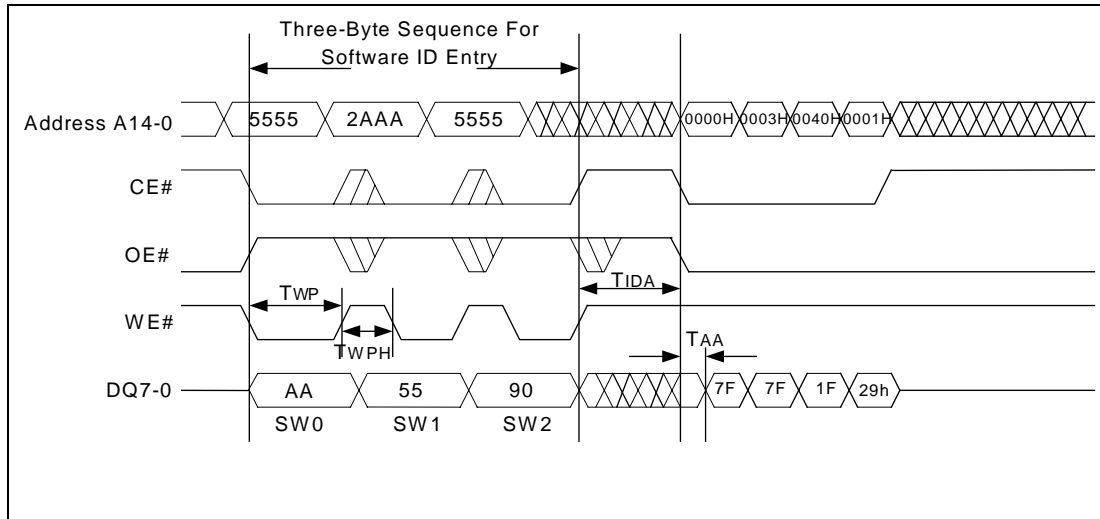


Figure 8: Software ID Entry and Read



SPECIFICATION

Software ID Exit and Reset

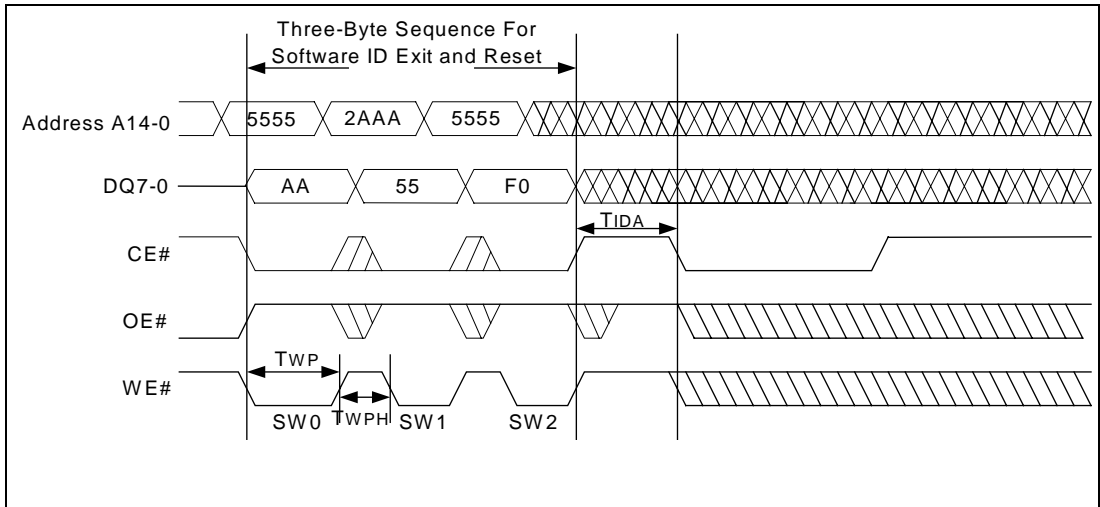


Figure 9: Software ID Exit and Reset

AC Input/Output Testing

AC Input/Output Reference Waveforms

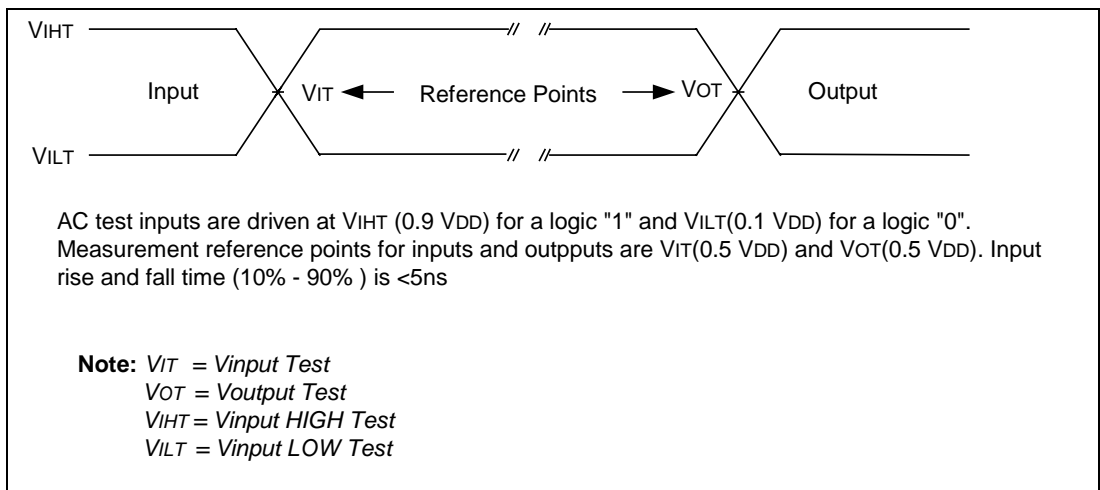


Figure 10: AC Input/Output Reference Waveforms

An AC Test Load Example

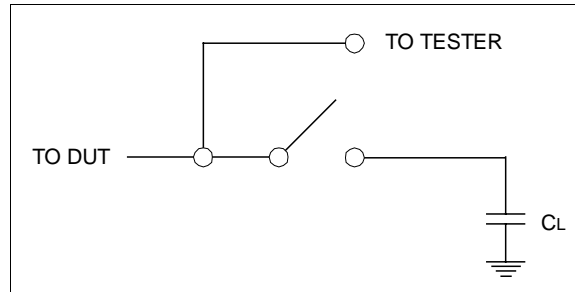


Figure 11: An AC Test Load Example

Flow Charts

Byte-Program Algorithm

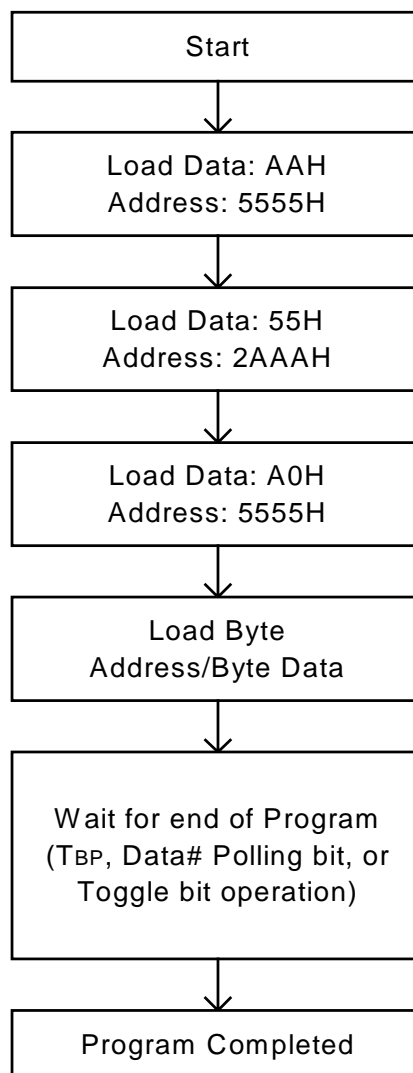


Figure 12: Byte-Program Algorithm Flowchart

Wait Options

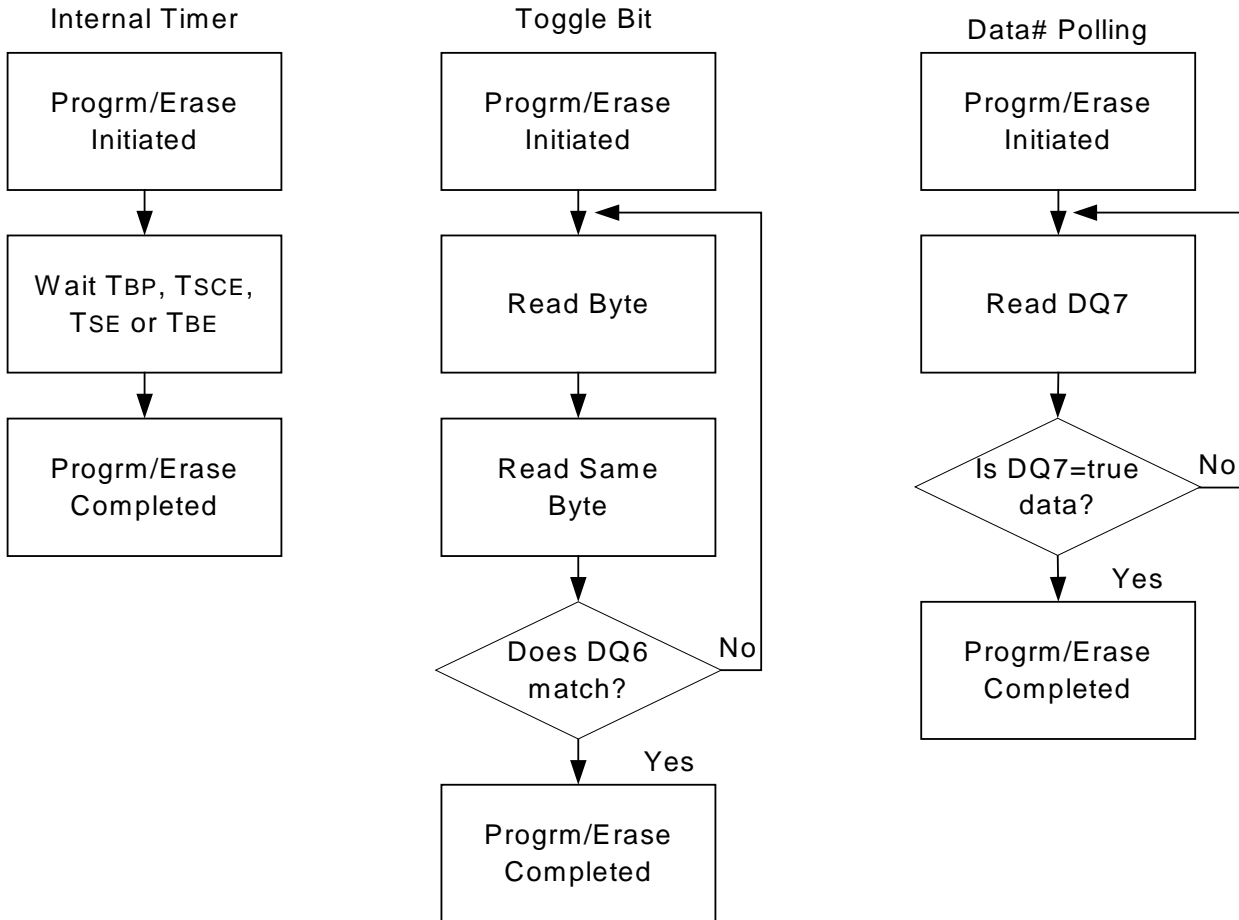
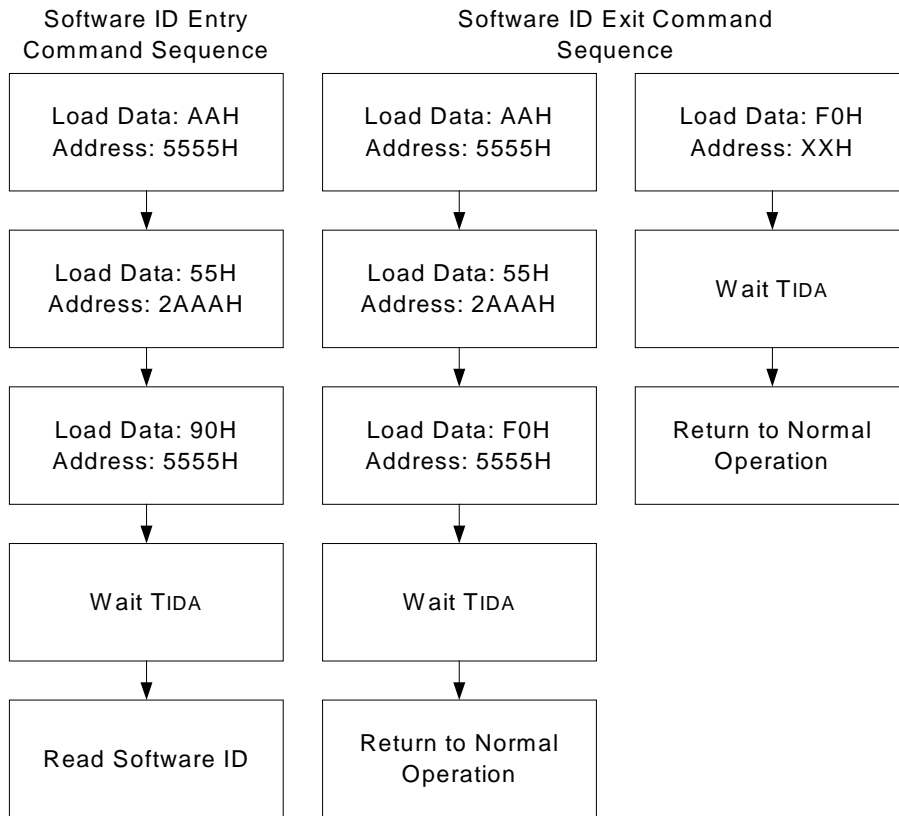


Figure 13: Wait Options Flowchart



SPECIFICATION

Software ID Commands



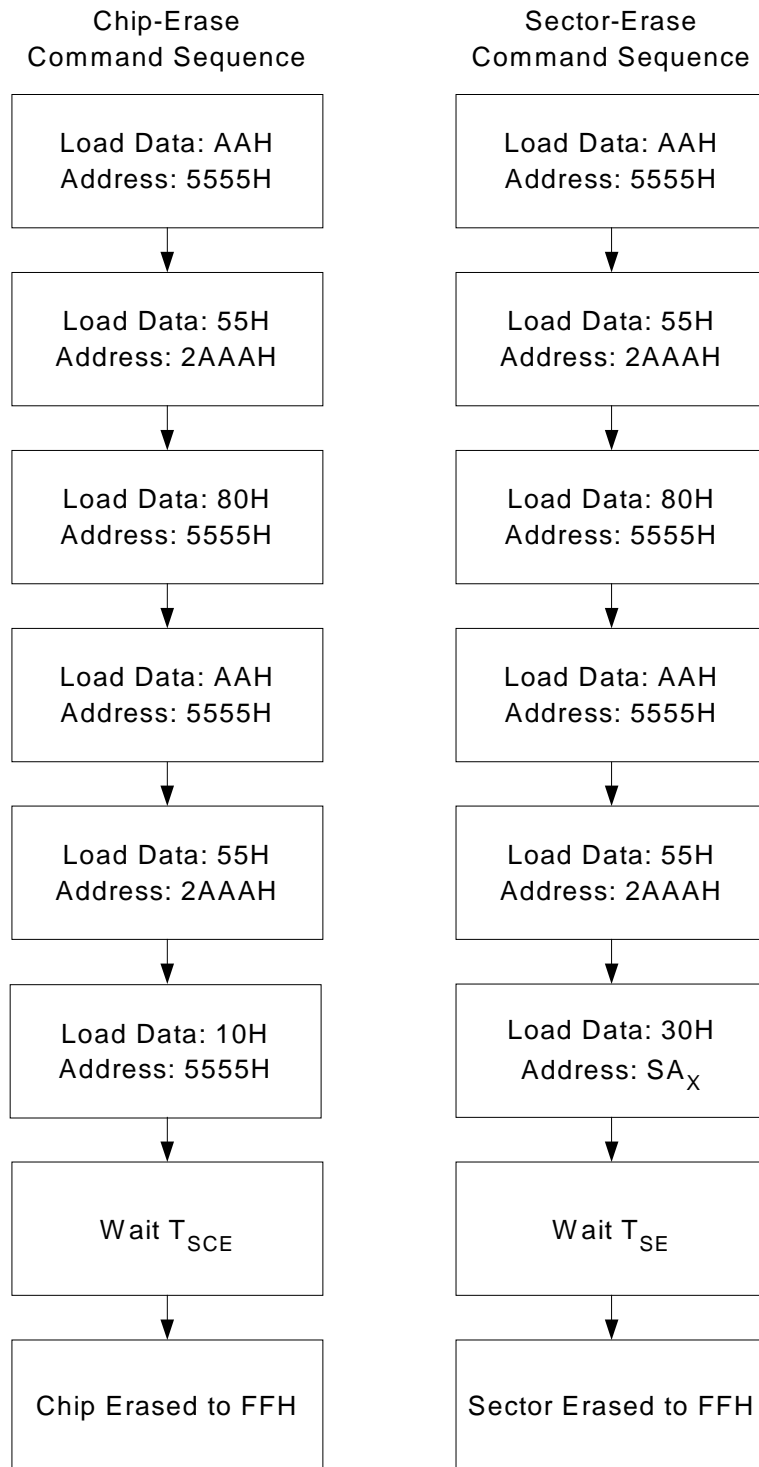
X can be VIL or VIH, but no other value.

Figure 14: Software ID Command Flowcharts



SPECIFICATION

Erase Command Sequence



X can be VIL or VIH, but no other value.

Figure 15: Erase Command Sequence Flowchart

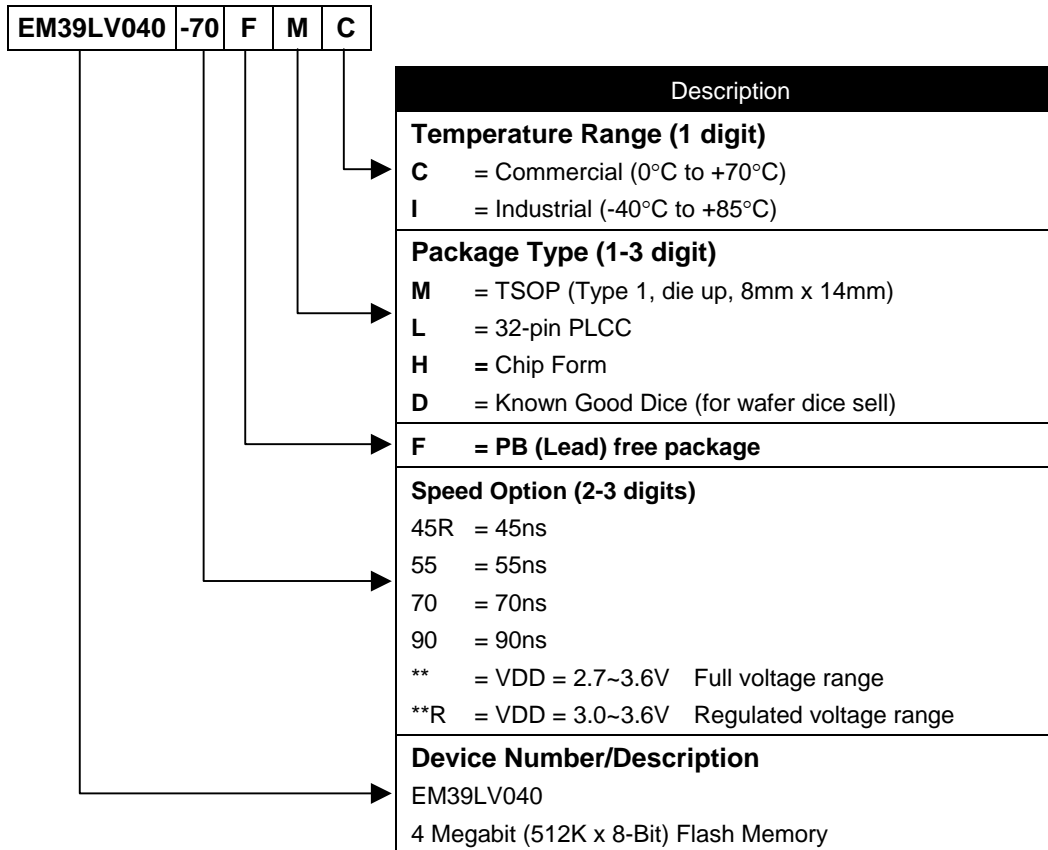


SPECIFICATION

Appendix

ORDERING INFORMATION (Standard Products)

The order number is defined by a combination of the following elements.





SPECIFICATION

ORDERING INFORMATION (Non-Standard Products)

For Known Good Dice (KGD), please contact ELAN Microelectronics at the following contact information or its representatives.

ELAN MICROELECTRONICS CORPORATION

Headquarters:

No. 12, Innovation Road 1
Science-based Industrial Park
Hsinchu, Taiwan, R.O.C. 30077
Tel: +886 3 563-9977
Fax: +886 3 563-9966
<http://www.emc.com.tw>

Hong Kong:

Elan (HK) Microelectronics Corporation, Ltd.
Rm. 1005B, 10/F Empire Centre
68 Mody Road, Tsimshatsui
Kowloon, HONG KONG
Tel: +852 2723-3376
Fax: +852 2723-7780
elanhk@emc.com.hk

USA:

Elan Information Technology Group
1821 Saratoga Ave., Suite 250
Saratoga, CA 95070
USA
Tel: +1 408 366-8223
Fax: +1 408 366-8220

Europe:

Elan Microelectronics Corp. (Europe)
Dubendorfstrasse 4
8051 Zurich, SWITZERLAND
Tel: +41 43 299-4060
Fax: +41 43 299-4079
<http://www.elan-europe.com>

Shenzhen:

Elan (Shenzhen) Microelectronics Corp., Ltd.
SSMEC Bldg., 3F, Gaoxin S. Ave.
Shenzhen Hi-Tech Industrial Park
Shenzhen, Guandong, CHINA
Tel: +86 755 2601-0565
Fax: +86 755 2601-0500

Shanghai:

Elan Electronics (Shanghai) Corporation, Ltd.
23/Bldg. #115 Lane 572, Bibo Road
Zhangjiang Hi-Tech Park
Shanghai, CHINA
Tel: +86 021 5080-3866
Fax: +86 021 5080-4600