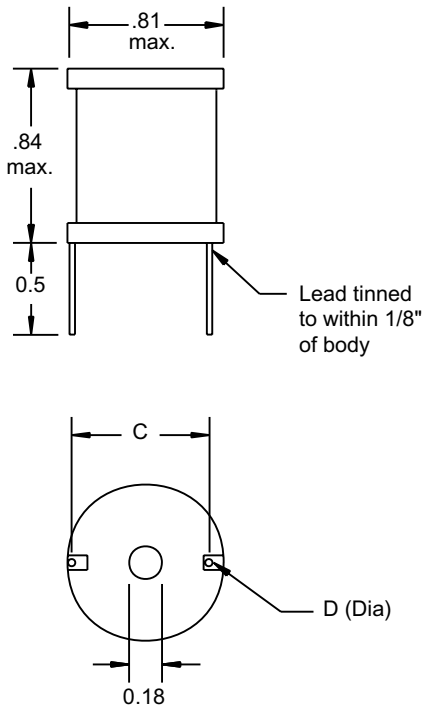


# High Current RF Chokes

## Special Features

- Very high current capacity
- Low DCR
- Epoxy coated ferrite bobbin core
- VW-1 rated shrink tubing to cover winding
- Self-leaded
- Fixed lead spacing
- Center hole for mechanical mounting
- Dielectric withstanding voltage:  
2500VRMS terminal to shrink tube cover;  
1000VRMS terminal to core
- Operating temperature -55 to +105°C
- Rated current to cause 50°C max. temperature rise and 5% max. inductance drop



1120 Series					
Part Number	L (uH) ± 20% @ 1KHz	DCR (Ω) Max.	Idc (A)	Dim. C Approx	Dim. D Nom.
1120-1R0M	1.0	0.003	11.4	0.63	0.072
1120-1R2M	1.2	0.003	11.4	0.63	0.072
1120-1R5M	1.5	0.003	11.4	0.63	0.072
1120-1R8M	1.8	0.003	11.4	0.63	0.072
1120-2R2M	2.2	0.004	11.4	0.63	0.072
1120-2R7M	2.7	0.005	11.4	0.63	0.064
1120-3R3M	3.3	0.005	11.4	0.63	0.064
1120-3R9M	3.9	0.005	11.4	0.63	0.064
1120-4R7M	4.7	0.005	11.4	0.63	0.064
1120-5R6M	5.6	0.006	11.4	0.63	0.064
1120-6R8M	6.8	0.007	11.4	0.63	0.064
1120-8R2M	8.2	0.007	11.4	0.63	0.064
± 10%					
1120-100K	10	0.009	11.4	0.63	0.064
1120-120K	12	0.009	11.4	0.63	0.057
1120-150K	15	0.013	9	0.63	0.057
1120-180K	18	0.018	7.2	0.63	0.051
1120-220K	22	0.019	7.2	0.63	0.051
1120-270K	27	0.026	5.5	0.63	0.051
1120-330K	33	0.029	5.5	0.60	0.045
1120-390K	39	0.030	5.5	0.60	0.045
1120-470K	47	0.035	5.5	0.62	0.045
1120-560K	56	0.039	5.5	0.62	0.040
1120-680K	68	0.053	4.8	0.62	0.040
1120-820K	82	0.060	4.8	0.62	0.040
1120-101K	100	0.080	4	0.62	0.036
1120-121K	120	0.090	4	0.62	0.036
1120-151K	150	0.098	4	0.62	0.032
1120-181K	180	0.110	4	0.62	0.032
1120-221K	220	0.150	2.8	0.62	0.032
1120-271K	270	0.213	2	0.60	0.029
1120-331K	330	0.305	1.6	0.60	0.029
1120-391K	390	0.320	1.6	0.60	0.025
1120-471K	470	0.355	1.6	0.60	0.025
1120-561K	560	0.388	1.6	0.60	0.025
1120-681K	680	0.430	1.6	0.60	0.025
1120-821K	820	0.590	1.3	0.60	0.023
1120-102K	1000	0.818	1	0.60	0.020
1120-122K	1200	1.14	0.8	0.60	0.020
1120-152K	1500	1.26	0.8	0.60	0.020
1120-182K	1800	1.39	0.8	0.60	0.018
1120-222K	2200	1.54	0.8	0.60	0.018

**J.W. Miller**  
MAGNETICS

306 E. Alondra Blvd., Gardena, CA 90247-1059 • (310) 515-1720 • FAX (310) 515-1962

www.jwmiller.com