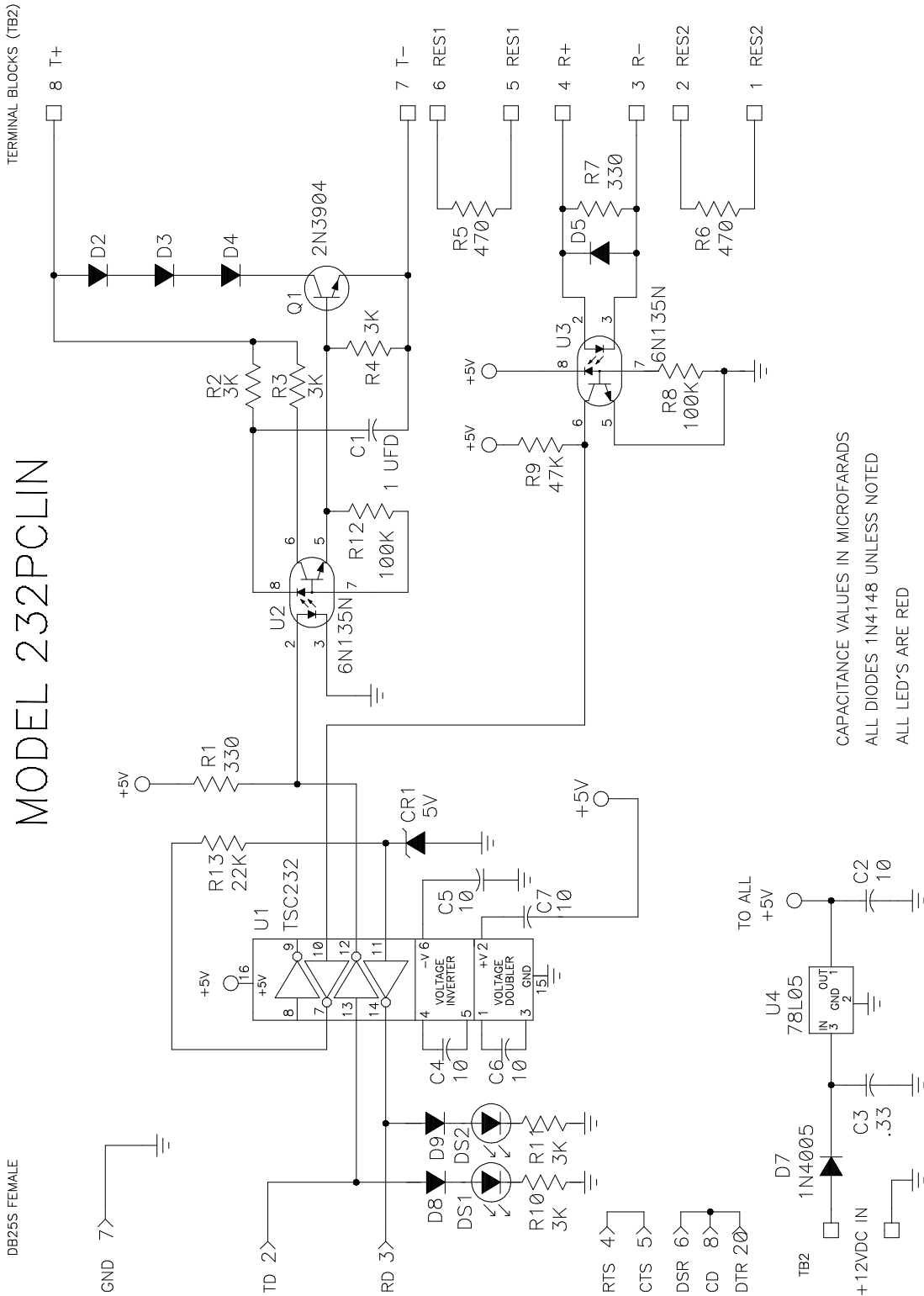


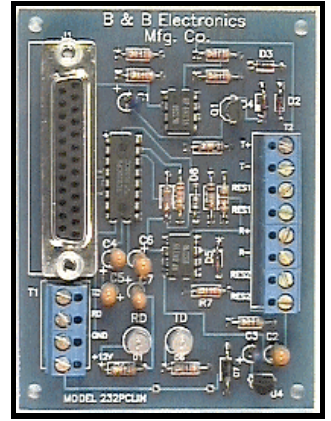
Industrial Current Loop Converter Model 232PCLIN

Document No. 232PCLIN1795

MODEL 232PCLIN



CAPACITANCE VALUES IN MICROFARADS
ALL DIODES 1N4148 UNLESS NOTED
ALL LED'S ARE RED



© 1992 B&B Electronics -- Revised April 1995

B & B electronics
MANUFACTURING COMPANY

707 Dayton Road • PO Box 1040
Ottawa, IL 61350 USA
Phone: (815) 433-5100 • FAX: (815) 434-7094