

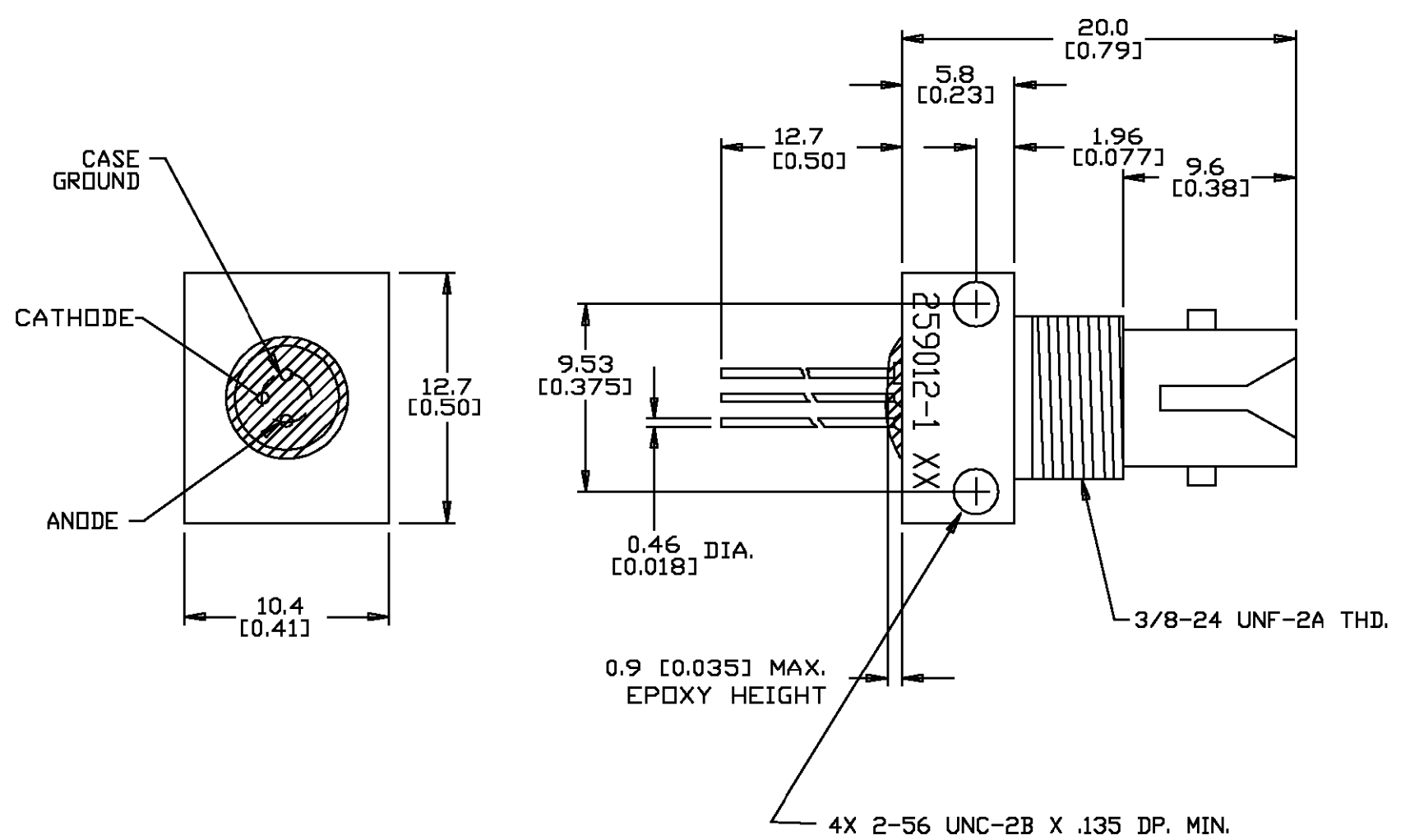
LOC	DIST	REVISIONS					
DR	1	P	LTR	DESCRIPTION	DATE	DWN	APVD
		K		EC-0A20-0136-00	17AUG00	TJ	AG

**SPECIFICATIONS AT 100 mA FORWARD CURRENT, 25°C**

PARAMETER	SYMBOL	TEST CONDITIONS	MIN	TYP	MAX	UNITS
LAUNCHED POWER	$P_D$	50/125 FIBER 62.5/125 FIBER	10 30	20 45	-	$\mu$ W $\mu$ W
CENTER WAVELENGTH	$\lambda_c$	-	1290	-	1350	nm
SPECTRAL WIDTH	$\Delta\lambda$	-	-	-	170	nm
FORWARD VOLTAGE	$V_F$	-	-	1.4	1.7	V
LEAKAGE CURRENT	$I_L$	$V = -2V$	-	-	2	$\mu$ A
CAPACITANCE	C	$V = 0V, f=1MHz$	-	15	50	pF
RISE/FALL TIME	$T_{RF}$	-	-	2.5	4	ns

**ABSOLUTE MAXIMUM RATINGS**

OPERATING TEMPERATURE	$T_D$	-	-40	-	85	C
STORAGE TEMPERATURE	$T_S$	-	-40	-	125	C
REVERSE VOLTAGE	$V_R$	-	-	-	2	V
FORWARD CURRENT	$I_F$	-	-	-	150	mA



**NOTES:**

1. DEVICE LEADS ARE ON 2.54 [0.100] DIA. BASE CIRCLE.
2. XX IS A DATE CODE.
3. DIMENSION IN [ ] ARE IN INCHES.
4. ESD PRECAUTIONS MUST BE EXERCISED WHEN HANDLING COMPONENT.
5. SUPPLIED WITH PANEL NUT AND LOCKWASHER, TWO STAINLESS STEEL SCREWS AND PROTECTIVE CAP (NOT SHOWN)

259012-1  
PART No.

THIS DRAWING IS A CONTROLLED DOCUMENT.		DWN T. JAMES	17AUG00	<p>AMP Incorporated Harrisburg, PA 17105-3608</p>											
DIMENSIONS: MM [INCH]		CHK A GLASS	-												
TOLERANCES UNLESS OTHERWISE SPECIFIED:		APVD P. MALARCHER	-												
<table border="1"> <tr><td>0 PLC</td><td>±-</td></tr> <tr><td>1 PLC</td><td>±-</td></tr> <tr><td>2 PLC</td><td>±-</td></tr> <tr><td>3 PLC</td><td>±-</td></tr> <tr><td>4 PLC</td><td>±-</td></tr> <tr><td>ANGLES</td><td>±-</td></tr> </table>		0 PLC	±-		1 PLC	±-	2 PLC	±-	3 PLC	±-	4 PLC	±-	ANGLES	±-	PRODUCT SPEC 108-55008
0 PLC	±-														
1 PLC	±-														
2 PLC	±-														
3 PLC	±-														
4 PLC	±-														
ANGLES	±-														
MATERIAL	FINISH	APPLICATION SPEC	-	SIZE A3											
		WEIGHT	-	CAGE CODE 00779											
		CUSTOMER DRAWING		DRAWING NO C=259012-1											
		SCALE 1:1		SHEET 1 OF 1											
		REV K		RESTRICTED TO											