

Description

- Surface mount circuit protector
- Compatible with reflow and wave solder
- Excellent environmental integrity
- One time positive disconnect
- Ampere rating marked and oriented facing up in carrier
- Solder-free design provides excellent temperature cycling
- Heat and shock tolerant

ELECTRICAL CHARACTERISTICS	
% of Amp Rating	Opening Time
100%	4 Hours Minimum
250%	10 Seconds Maximum
600%	1 millisecond typical

Agency Information

- UL Recognition Guide & File numbers: JDYX2 & E19180.
- CSA Certification Record No: 053787 C 000 & Class No: 1422 30.

Environmental Data

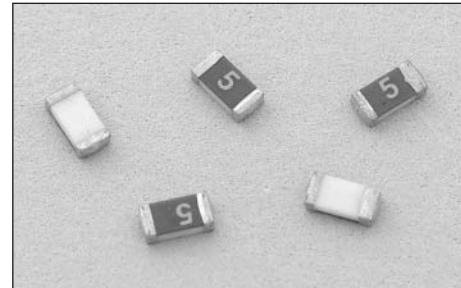
- Thermal Shock: MIL-STD-202, Method 107, Test Condition B (-65°C to 125°C)
- Vibration: MIL-STD-202, Method 204, Test Condition C (55 to 2000 Hz, 10G)
- Moisture Resistance: MIL-STD-202, Method 106, 10 day cycle
- Solderability: ANSI/J-STD-002, Test B

Soldering Method

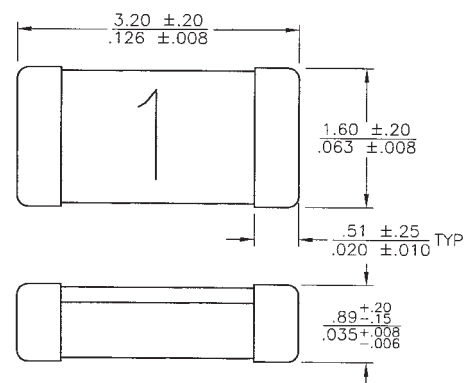
- Wave Solder: 260°C, 10 sec max.
- Infrared Reflow: 260°C, 30 sec max.

Ordering

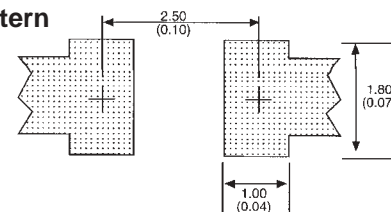
- Specify product code and packaging code



Dimensions mm/(inches)
Drawing Not to Scale



Land Pattern



SPECIFICATIONS

Product Code	Voltage Rating (DC)	Interrupting Rating* 24V DC	Resistance (ohms)** Typ.	Typical Melt I ^{††}	Typical Voltage Drop (V)‡
3216CP-250mA	24V	35A	4.50	0.000084	1.4
3216CP-375mA	24V	35A	1.80	0.0002	0.73
3216CP-500mA	24V	35A	1.15	0.0019	0.66
3216CP-750mA	24V	35A	0.75	0.00095	0.63
3216CP-1A	24V	35A	0.168	0.007	0.2
3216CP-1.5A	24V	35A	0.098	0.029	0.18
3216CP-2A	24V	35A	0.063	0.049	0.16
3216CP-2.5A	24V	35A	0.046	0.112	0.14
3216CP-3A	24V	35A	0.037	0.165	0.13
3216CP-4A	24V	35A	0.019	0.189	0.11
3216CP-4.5A	24V	35A	0.014	0.328	0.1
3216CP-5A	24V	35A	0.013	0.619	0.09

* DC Interrupting Rating (Measured at designated voltage, time constant of less than 50 microseconds, battery source)

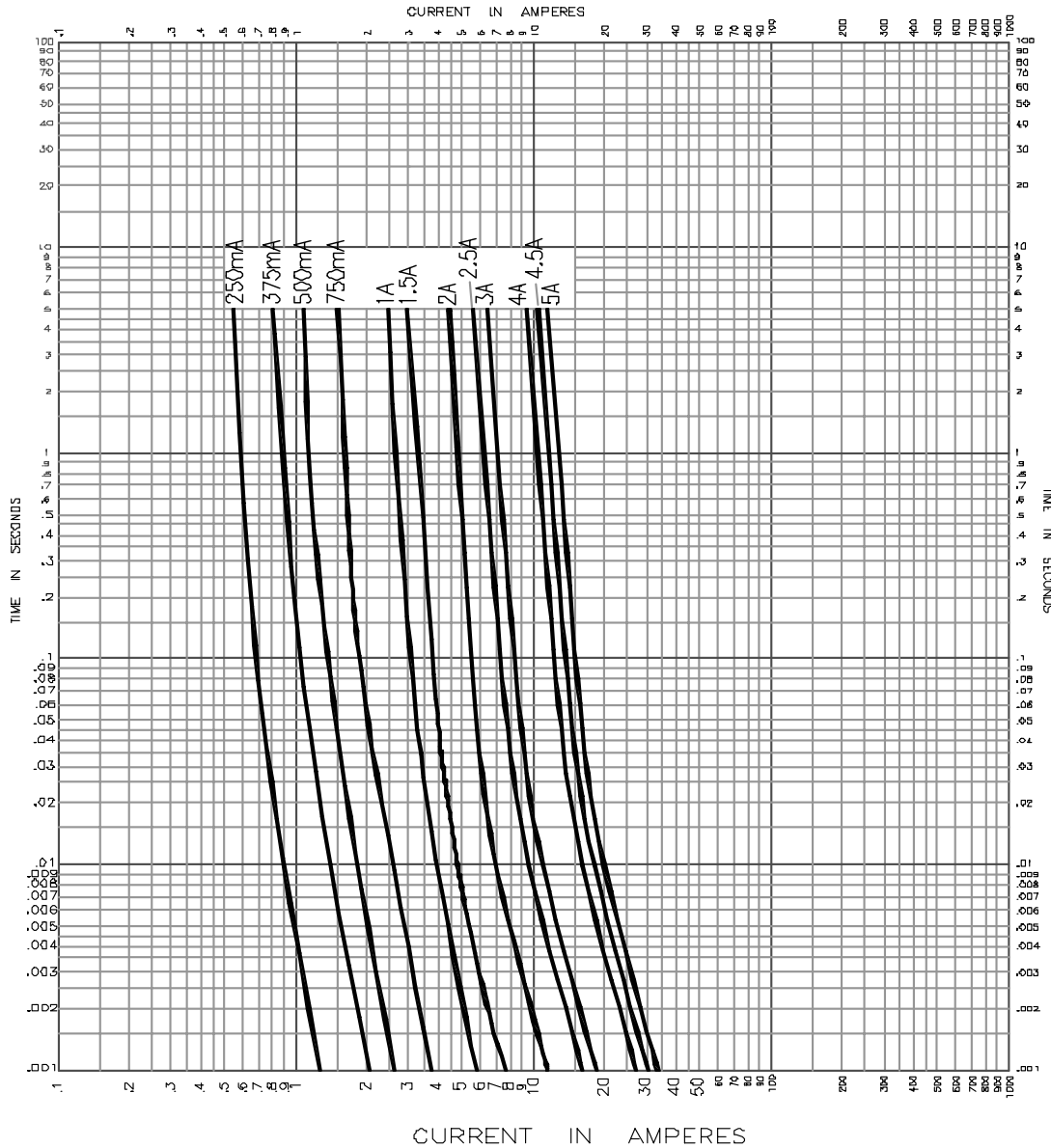
** DC Cold Resistance (Measured at 10% of rated current)

† Typical Melting I^{††} (Measured with a battery bank at rated DC voltage, 10x-rated current, time constant of calibrated circuit less than 50 microseconds)

‡ Typical Voltage Drop (Measured at rated current after temperature stabilizes)

- It is recommended that fuses be mounted with glass (blue) side facing up.
- Device designed to carry rated current for four hours minimum. An operating current of 80% or less of rated current is recommended, with further derating required at elevated ambient temperatures.

TIME CURRENT CURVE



PACKAGING CODE

Packaging Code	Description
SP	50 piece sample pack
TR	3,000 pieces of fuses on 8mm tape-and-reel on a 7 inch (178mm) reel per EIA Standard RS481