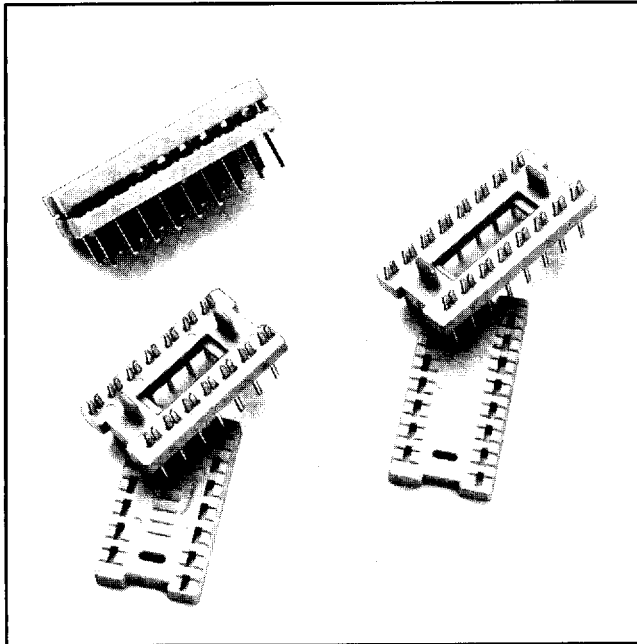


.100" × .300" DIP

14, 16 & 18 Position



- Fits standard IC sockets
- Strong legs, less susceptible to bending or breaking
- Gold or tin lead plating options
- Round or rectangular contact leg options
- Low profile

TS-0617-05
Sheet 1 of 2

107

Physical

Insulation

Material: Glass Filled Polyester (PBT)
Flammability: UL94V-0
Color: Gray

Contact

Material: Copper Alloy
Plating
Underplate: 100 μ " [2.54 μ m] Nickel — QQ-N-290, Class 2
U-Slot & Solder Tails: 30 μ " [0.76 μ m] Gold — MIL-G-45204, Type II, Grade C or
200 μ " [0.76 μ m] 90/10 Tin Lead — MIL-P-81728

Wire Accomodation: 26 & 28 AWG Solid or Stranded

Marking: 3M Logo, Part Identification and Contact Position Numbers

Electrical

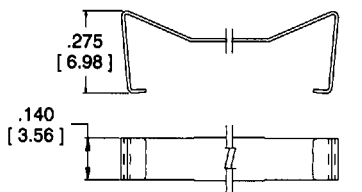
Current Rating: 1 A
Insulation Resistance: $> 1 \times 10^9 \Omega$ at 500 VDC
Withstanding Voltage: 1000 Vrms at Sea Level

Environmental

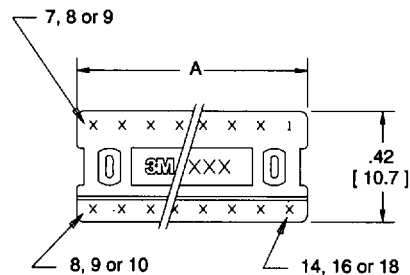
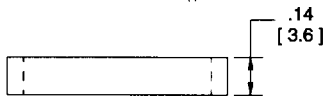
Temperature Rating: -55°C to $+105^\circ\text{C}$

.100" x .300" DIP

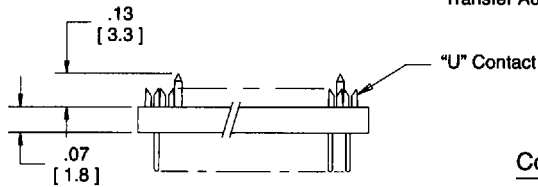
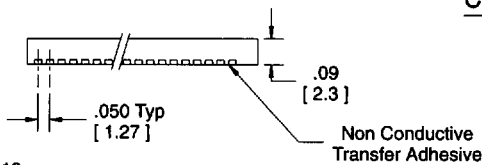
14, 16 & 18 Position



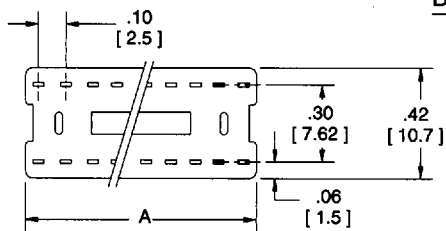
Optional Strain Relief
 Material: Gray Epoxy
 Coated Stainless Steel
 .010 [0.25] Thick



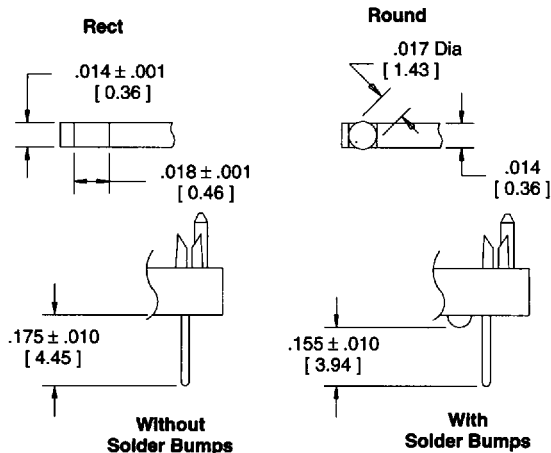
Connector Cover



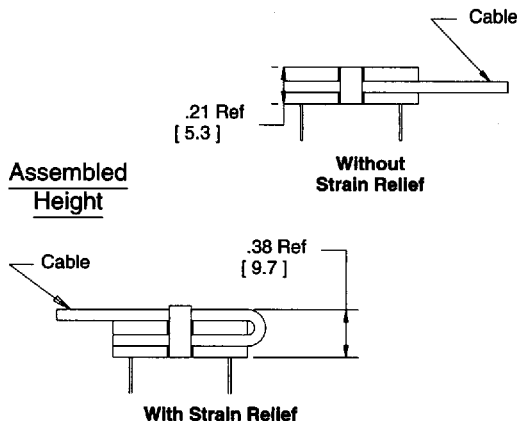
Connector Body



Contact Tail Design



Assembled Height



Inch [mm]

Tolerance Unless Noted			
	.0	.00	.000
Inch	±.1	±.01	±.005

[] Dimensions for Reference only

Ordering Information

Connector

Contact Quantity	3M Part Number	Contact Tail	Contact Plating	Solder Bump	Dimension A
14	3406-0000	Rect	Gold	No	.75 [19.1]
	3406-0000T	Rect	Tin Lead	No	
	3406-0010	Rect	Gold	Yes	
	3406-0010T	Rect	Tin Lead	Yes	
	3406-0002	Round	Gold	No	
16	3416-0000	Rect	Gold	No	.85 [21.6]
	3416-0000T	Rect	Tin Lead	No	
	3416-0010	Rect	Gold	Yes	
	3416-0010T	Rect	Tin Lead	Yes	
	3416-0002	Round	Gold	No	
18	3563-3000	Rect	Gold	No	.95 [24.1]
	3563-3010T	Rect	Tin Lead	Yes	
	3563-3002	Round	Gold	No	
	3563-3012T	Round	Tin Lead	Yes	

Strain Relief (Optional)

3M Part Number	Used On	Dimension B
3448-3406	3406	.72 [18.3]
3448-3416	3416	.82 [20.8]
3448-3563	3563	.92 [23.4]