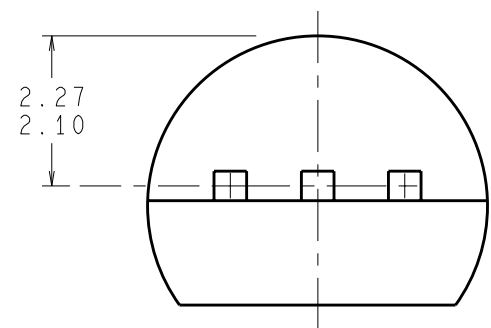
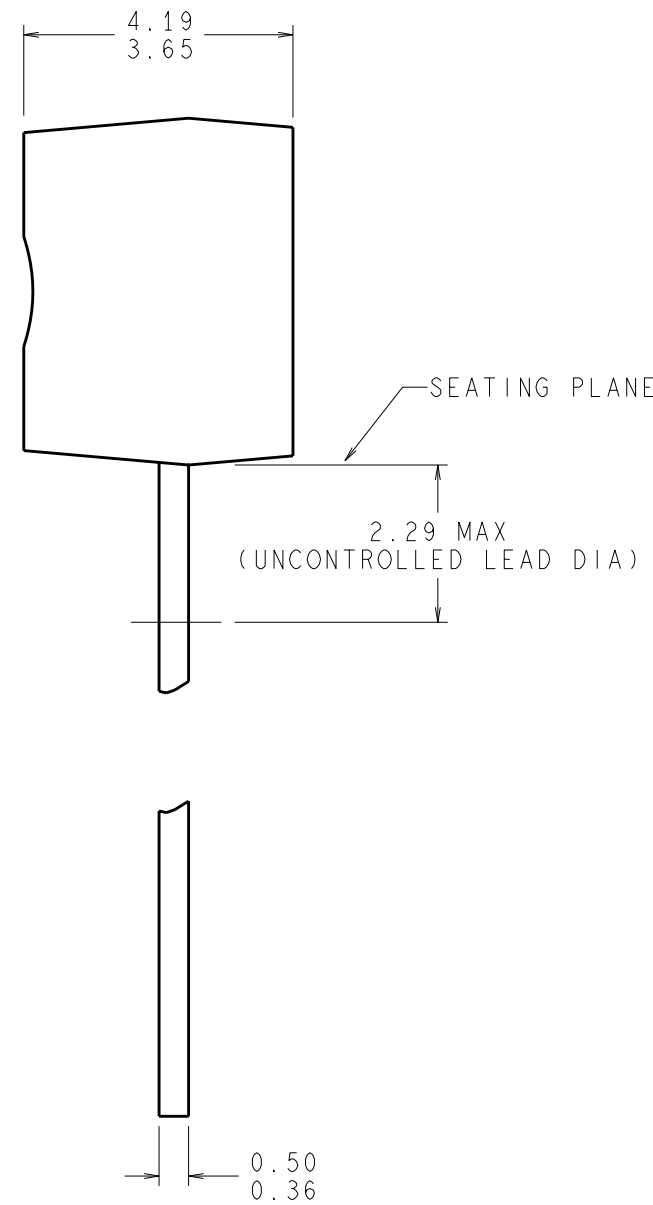
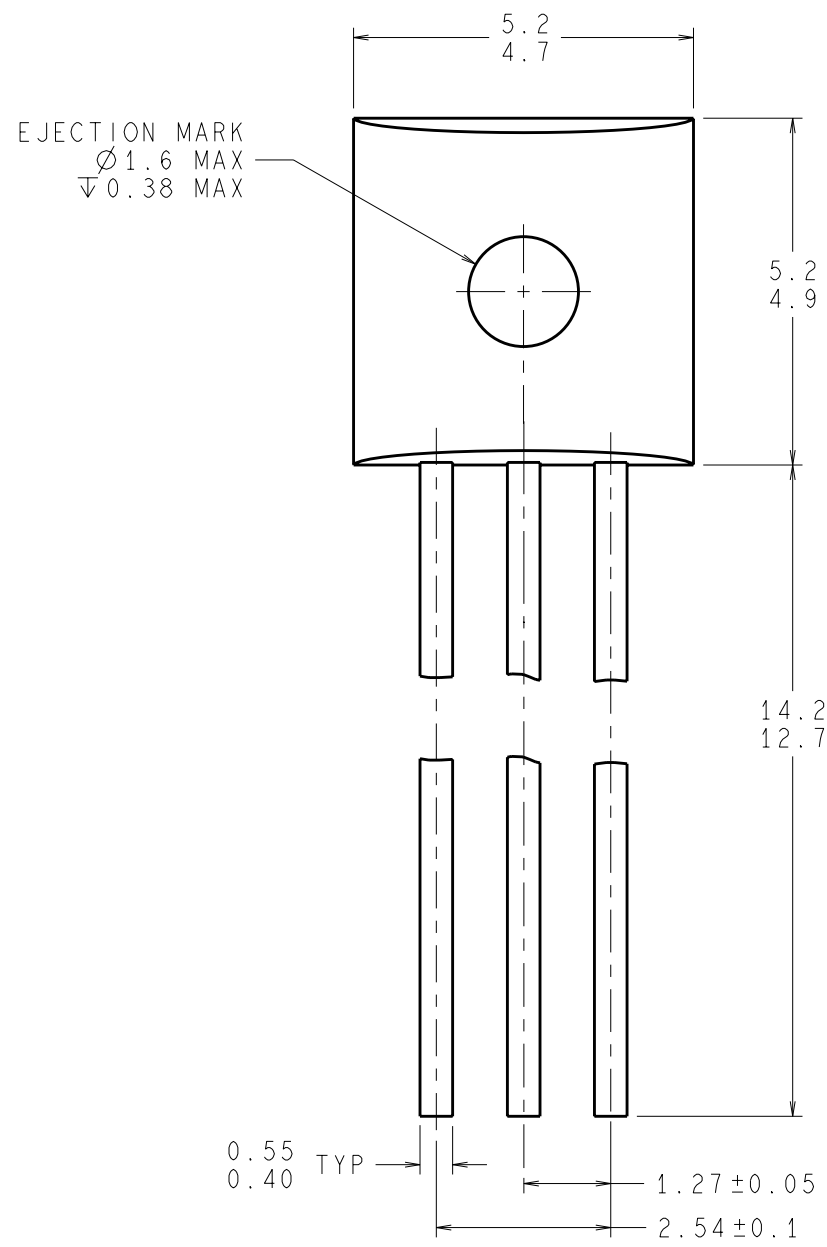


REVISIONS				
LTR	DESCRIPTION	E.C.N.	DATE	BY/APP'D
G	REDESIGN PKG CONFIGURATION. REDRAWN IN PRO/E.	12514	09/06/2000	NS/MS/JJY



DIMENSIONS ARE IN MILLIMETERS

- NOTES: UNLESS OTHERWISE SPECIFIED
- STANDARD LEAD FINISH:
LEAD/TIN 40/60 OVER COPPER A194 OR EQUIVALENT.
 - REFERENCE JEDEC REGISTRATION TO-226, VARIATION AA.

APPROVALS		DATE	 National Semiconductor 2900 Semiconductor Dr., Santa Clara, CA 95052-8090		
DRAWN N. SANTHIRAN		09/06/2000			
DFTG. CHK. MARTA SUCHY		09/06/2000	TO-92, MOLDED, 3 LEAD		
ENGR. CHK. JJ YEOH		09/06/2000			
 PROJECTION INCH [MM]		SCALE N/A	SIZE C	DRAWING NUMBER (SC)MKT-Z03A	REV G
DO NOT SCALE DRAWING			SHEET 1 of 1		