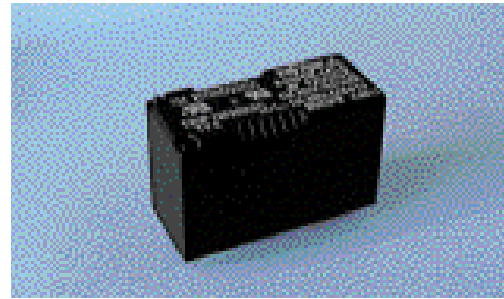
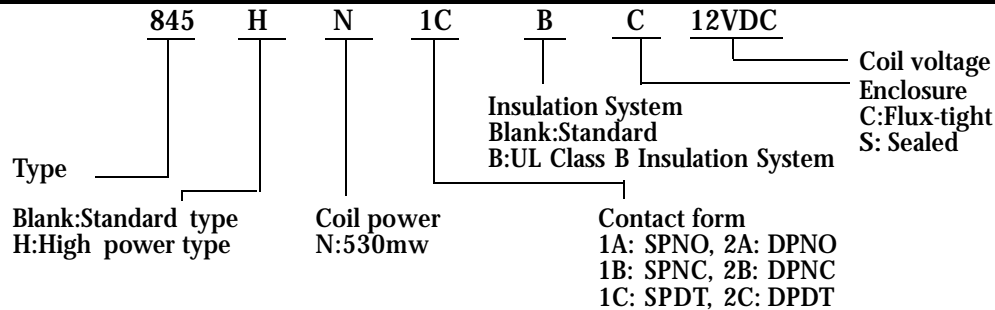


FEATURES

- Sub-Miniature — 1 or 2 pole, 5-12 amps
- Low profile — 18.5mm
- UL, CSA & TUV
- VDE 8mm spacing, 4 KV dielectric
- 5mm & 3.5mm pinning
- Flux-tight or Sealed
- UL Class B Insulation System Optional



ORDERING INFORMATION



SAFETY APPROVAL

Certified	UL & CUR	TUV
File No.	E88991	R9754014

SAFETY APPROVAL RATING 845HN, 1 Pole

	UL & CUR (1A,1B,1C)	TUV (1A,1B,1C)
	12A 277VAC	12A 250V~(AC)
	12A 30VDC	12A 30V=(DC)
	1/2HP 125VAC/250VAC	10A 250V~(AC)
	TV-5 (1A)	COS ϕ 0.4

SAFETY APPROVAL RATING 845HN, 2 Pole

	UL & CUR (2A,2B,2C)	TUV 845 (2A,2B,2C)
	8A 277VAC	5A 250V~(AC)
	8A 30VDC	5A 30V=(DC)
	1/4 HP, 125VAC/250VAC	3A 250V~(AC)
	TV-3 (1A)	COS ϕ 0.4

COIL DATA (DC) High sensitivity type

Rated voltage (V)	Rated current $\pm 10\%$ at 25° (mA)	Coil resistance $\pm 10\%$ at 25° (Ω)	Max. continuous voltage 25°C	Pick up voltage (Max) 25°C	Drop out voltage (Min) 25°C	Power consumption at rated voltage
3	176	17	110% of rated voltage	80% of rated voltage	10% of rated voltage	approx. 0.53W
5	105	48				
6	88	68				
9	60	150				
12	44	275				
18	30	610				
24	22	1100				

COIL DATA (DC) High sensitivity type (continued)

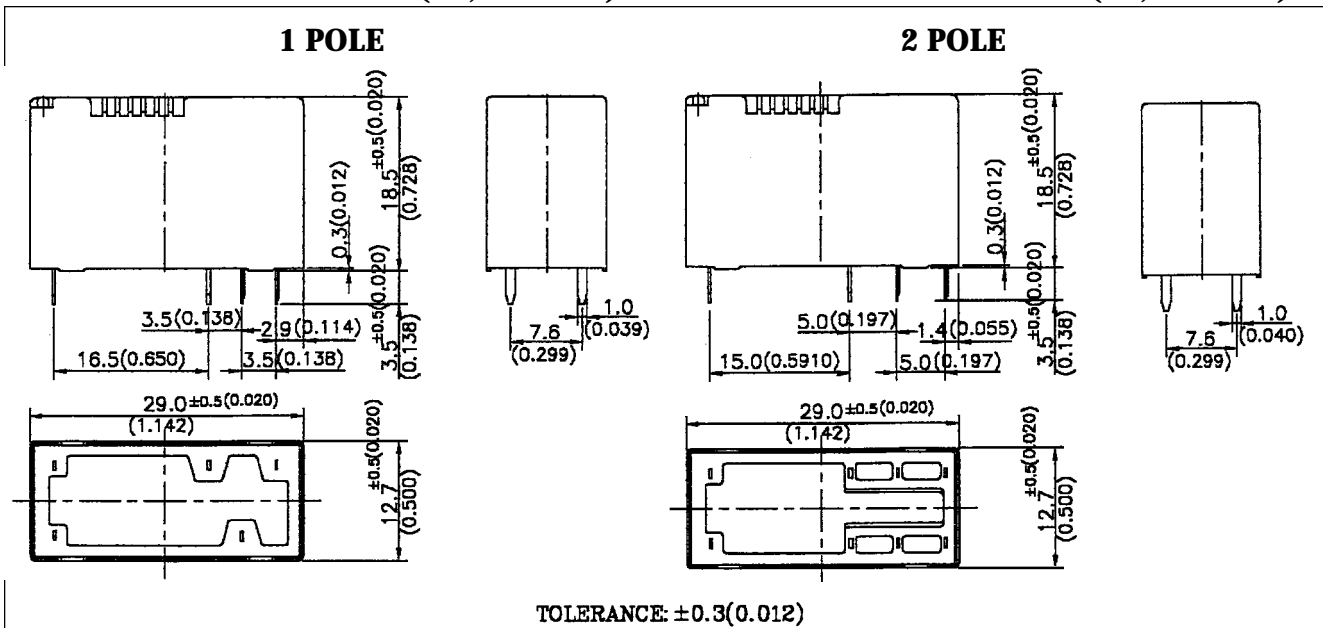
Rated voltage (V)	Rated current ± 10 % at 25° (mA)	Coil resistance ± 10 % at 25° (Ω)	Max. continuous voltage 25°C	Pick up voltage (Max) 25°C	Drop out voltage (Min) 25°C	Power consumption at rated voltage
36	15	2440	110% of rated voltage	80% of rated voltage	10% of rated voltage	approx. 0.53W
48	11	4400				
60	9	6800				

SPECIFICATION

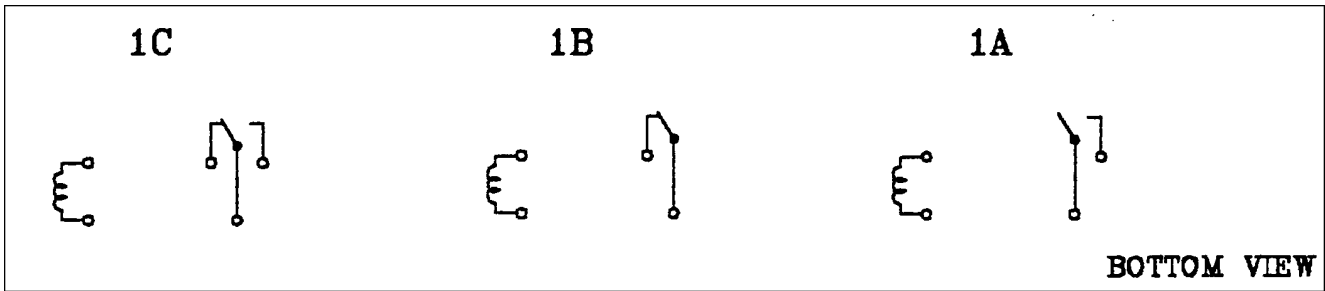
Contact resistance	100mΩ Max.(initial value)	
Contact material	Ag alloy	
Operate time	10ms	
Release time	5ms	
Insulation resistance	100M Ω Min.(DC 500V)	
Dielectric strength	Between open contact	AC 1000V, 50/60Hz 1 min.
	Between contact and coil	AC 5000V, 50/60Hz 1 min.
	Between contact circuits	AC 3000V, 50/60Hz 1 min. (for 2 pole only)
Vibration resistance	Operating extremes	10 ~ 55Hz, amplitude 1.5mm
	Damage limits	>10 ~ 55Hz, amplitude 1.5mm
Shock resistance	Operating extremes	>10G
	Damage limits	>100G
Life expectancy	Mechanical	>10,000,000 operations (frequency 18,000 operations/hr)
	Electrical	>100,000 operations (frequency 1,200 operations/hr under rated load)
Operating temperature	-40° ~ +70°C (no freezing)	
Weight	Approx. 14g	

OUTLINE DIMENSIONS 845 (1A, 1B & 1C)

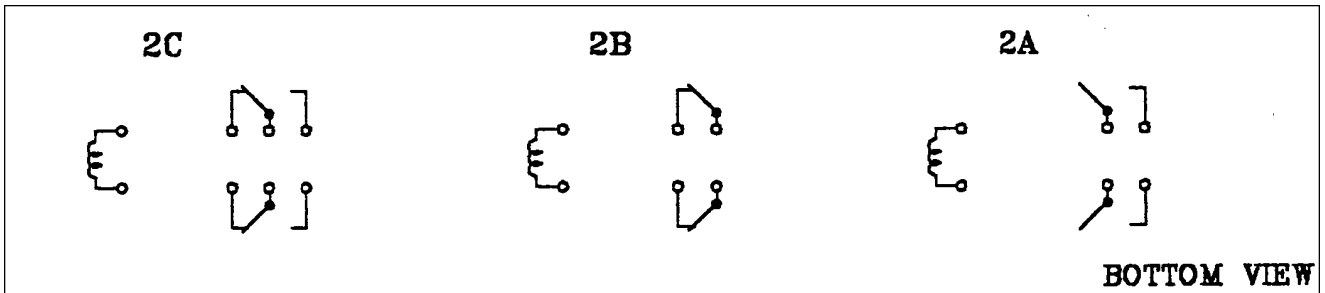
OUTLINE DIMENSIONS 845 (2A, 2B & 2C)



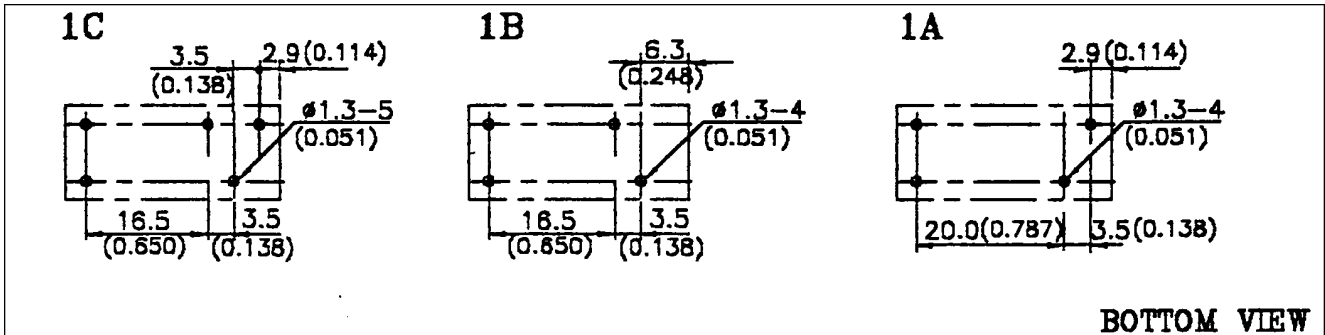
WIRING DIAGRAM, 1 POLE



WIRING DIAGRAM, 2 POLE



PC BOARD LAYOUT, 1 POLE (3.5mm)



PC BOARD LAYOUT, 2 POLE (5.0mm)

