

C/A-1801X SINGLE DIGIT DISPLAY


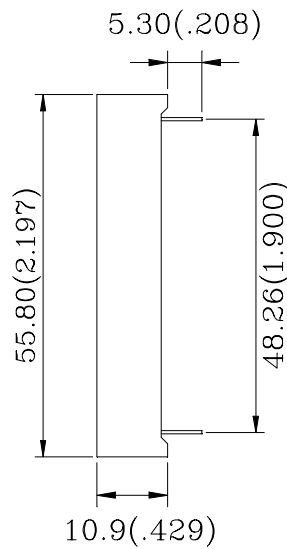
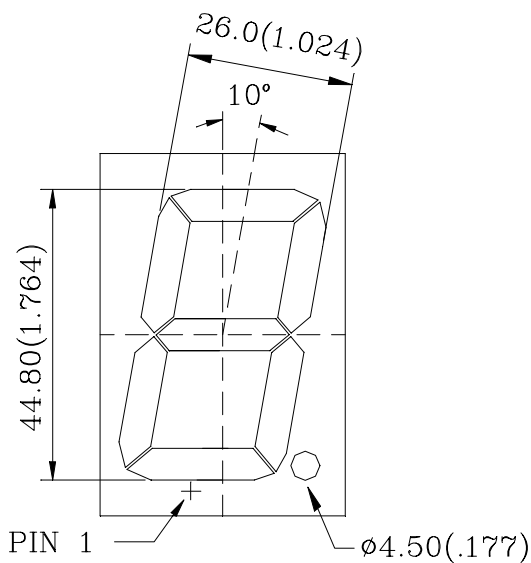
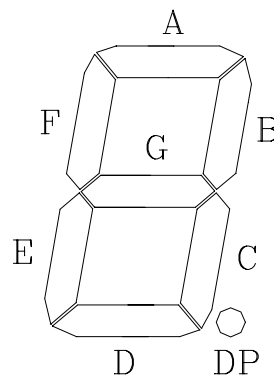
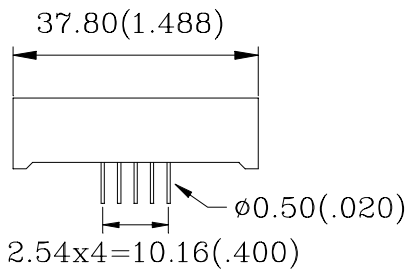
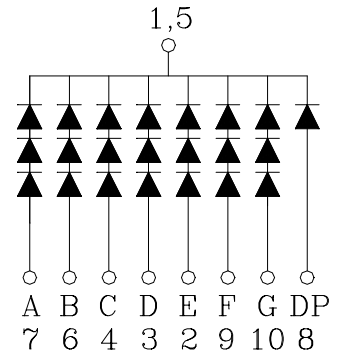
| Shape | Part No. | | Chip | | Wave Length λ p(nm) | Electro-Optical Characteristics | | | Fig. No. |
|---|----------------|--------------|--------------|---------------|--------------------------------|---------------------------------|------|-------------|----------|
| | Common Cathode | Common Anode | Raw Material | Emitted Color | | Vf(V)20mA | | Iv(ucd)10mA | |
| | | | | | | Typ. | Max. | Typ. | |
|  | C-1801H | A-1801H | GaP | Red | 700 | 6.3 | 8.4 | 1400 | D19 |
| | C-1801E | A-1801E | GaAsP/GaP | Hi. effi Red | 635 | 6.0 | 8.4 | 5600 | |
| | C-1801G | A-1801G | GaP | Green | 565 | 6.3 | 8.4 | 5200 | |
| | C-1801Y | A-1801Y | GaAsP/GaP | Yellow | 585 | 6.3 | 8.4 | 5200 | |
| | C-1801SR | A-1801SR | GaAlAs | Super Red | 660 | 5.4 | 7.2 | 40000 | |

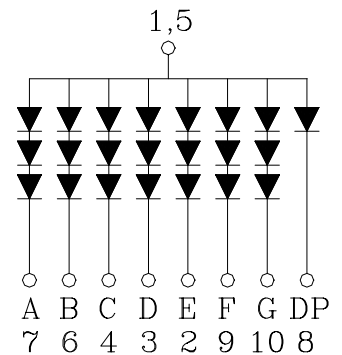
Fig.D19



C-1801X



A-1801X



1.All dimension are in millimeters (inches).
2.Tolerance is ± 0.25 mm (0.01") unless otherwise specified.