

CURRENT COMPENSATED NOISE SUPPRESSION CHOKES

FE 3X Series - 3 Phase Common Mode Choke



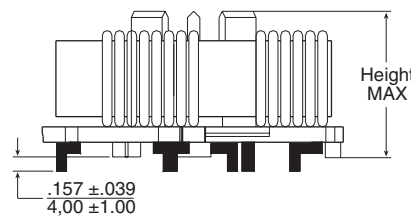
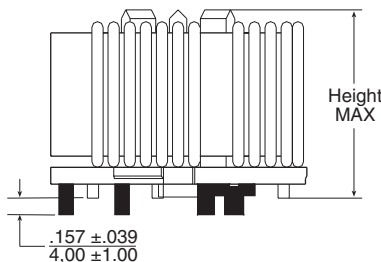
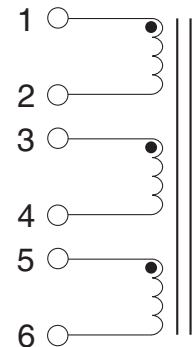
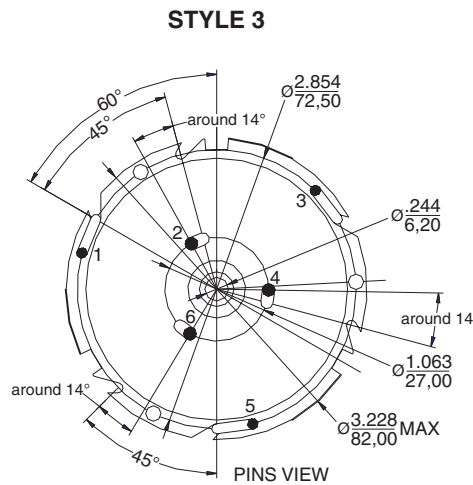
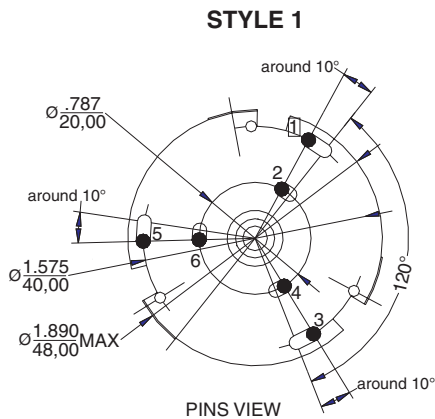
- ☐ Complies with VDE 565-2
- ☐ UL recognized (94V0)
- ☐ Rated voltage: 500 Vac
- ☐ Rated current: 6 to 12A
- ☐ Withstanding voltage: 2500 Vac @ 2 sec

Electrical Specifications @ 25°C — Operating Temperature 0°C to 60°C

Part Number	I (A) (40°C)	L (mH) (+40%, -30%)	Rdc (mΩ) (+/- 10%)	Fo (kHz) (MIN)	Attenuation (dB at Fo)	Style	Pins Ø (mm)	Height MAX (mm)
FE3X050-10-7	6	5	25	200	48	1	1.10	35
FE3X033-10-7	8	3.1	14	200	41	1	1.30	35
FE3X025-10-7	16	2.2	6.3	400	31	1	1.8	47
FE3X050-13-7	12	5	17.5	200	36.5	3	1.70	48

Mechanicals

Schematic



Part Number	Weight	Pan Size
FE3X050-10-7	102 grams	35
FE3X033-10-7	200 grams	35
FE3X025-10-7	158 grams	35
FE3X050-13-7	385 grams	13

For More Information :

UNITED STATES (Worldwide)	UNITED KINGDOM (Northern Europe)	FRANCE (Southern Europe)	SINGAPORE (Southern Asia)	TAIWAN, R.O.C. (Northern Asia)	HONG KONG (China/Hong Kong)	DISTRIBUTOR
12220 World Trade Drive San Diego, CA 92128 U.S.A. http://www.pulseeng.com TEL: 858 674 8100 FAX: 858 674 8262	1 & 2 Huxley Road The Surrey Research Park Guildford, Surrey GU2 5RE United Kingdom TEL: 44 1483 401700 FAX: 44 1483 401701	Zone Industrielle F-39270 Orgelet France TEL: 33 3 84 35 04 04 FAX: 33 3 84 25 46 41	150 Kampong Ampat #07-01/02 KA Centre Singapore 368324 TEL: 65 287 8998 FAX: 65 280 0080	3F-4, No. 81, Sec. 1 HsinTai Wu Road Hsi-Chih, Taipei Hsien Taiwan, R.O.C. Tel: 886 2 2698 0228 FAX: 886 2 2698 0948	19/F, China United Plaza 1008 Tai Nan West Street Cheung Sha Wan, Kowloon Hong Kong, China Tel: 852 2788 6588 FAX: 852 2776 1055	

Performance warranty of products offered on this data sheet is limited to the parameters specified. Data is subject to change without notice. Other brand and product names mentioned herein may be trademarks or registered trademarks of their respective owners.