

NAN YA PLASTICS CORPORATION

SPECIFICATION OF
LCD MODULE
PRODUCT NO.: LMM83S018C2N_

SPEC. NO.: LM018-2- \triangle 0

CUSTOMER
APPROVED BY
DATE:

LCD DEPARTMENT
ELECTRONIC MATERIALS DIVISION
NAN YA PLASTICS CORPORATION
201, TUNG HWA N. ROAD, TAIPEI
TEL:886-2-27122211 EXT. 5993~5995
FAX:886-2-27178253
E-mail:lcdsales@npc.com.tw

EDITED ON : JUL. 06, 2001

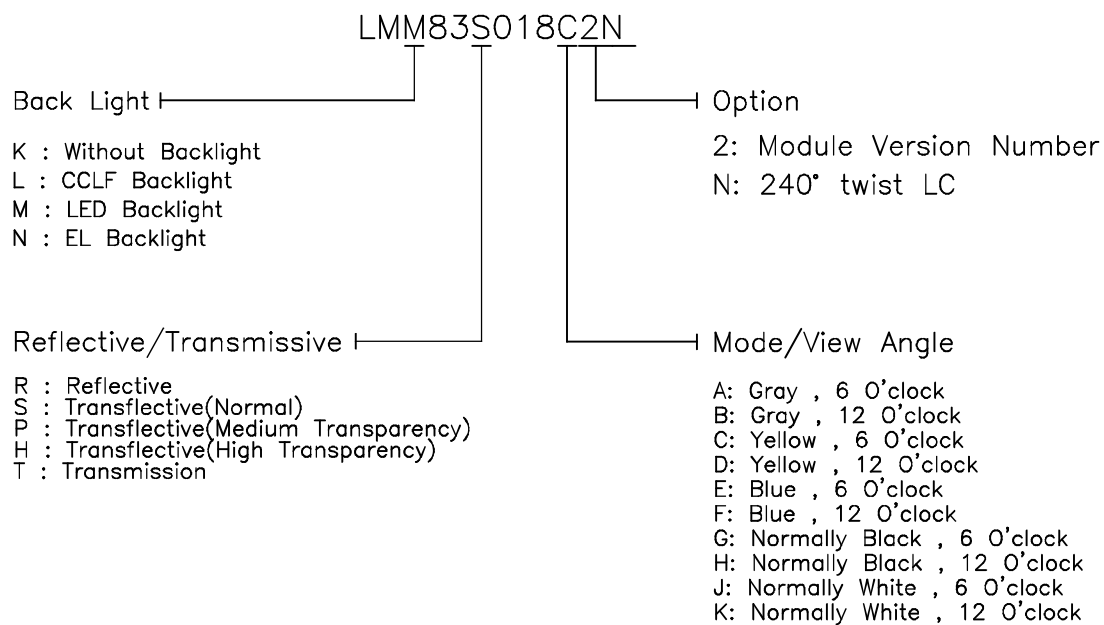
DESIGN MANAGER	DESIGN CHECK	DESIGNER
		T.M.CHEN

NAN YA PLASTICS CORP. ELEC. MATERIALS DIV. LCD DEPARTMENT	SPECIFICATION	SPEC. NO. : LM018-2 DATE : JUL. 06,2001 SHEET NO. : 1
---	---------------	---

1. MECHANICAL DATA

(1) Product No.	LMM83S018C2N_
(2) Module Size	80.0 (W)mm x 36.0 (H)mm x MAX14.5 (D)mm
(3) Dot Size	0.55 (W)mm x 0.75 (H)mm
(4) Dot Pitch	0.63 (W)mm x 0.83 (H)mm
(5) Number of Dots	16 (W) x 1 (H)Dots
(6) Duty	1/16
(7) LCD Display Mode	STN: Yellow Mode Rear Polarizer: Transflective
(8) Viewing Direction	6 O'clock
(9) Backlight	LED
(10) Controller	Excluded
(11) DC/DC Converter	Excluded
(12) Weight	36.8 g(approx.)

Note :



REV/DATE	R0/ 07.06.2001					APP	CHK	BY	T.M.CHEN
----------	-------------------	--	--	--	--	-----	-----	----	----------

2. ABSOLUTE MAXIMUM RATINGS

(1) ELECTRICAL ABSOLUTE RATINGS

VSS=0 V Standard

ITEM	SYMBOL	MIN	MAX	UNIT	COMMENT
Power Supply for Logic	VDD-VSS	-0.3	6.5	V	
Input Voltage	VI	-0.3	VDD+0.3	V	
Static Electricity	-	-	-	-	Note 1

Note 1 LCM should be grounded during handling LCM.

(2) ENVIRONMENTAL ABSOLUTE MAXIMUM RATINGS

ITEM	NORMAL TEMP.			
	OPERATION		STORAGE	
	MIN.	MAX.	MIN.	MAX.
Ambient Temperature	0	50	-20	70
Humidity (Without Condensation)	Note 2,4		Note 3,4	
Vibration(Note ※)	-		49m/s ² (5G)	

Note 2 Ta ≦ 50°C : 85%RH max

Ta > 50°C : Absolute humidity must be lower
than the humidity of 85%RH at 50°C

Note 3 Ta at -20°C will be < 48 hrs, at 70°C will be < 120 hrs

Note 4 Background color will change slightly depending on ambient temperature.
That phenomenon is reversible.

3. ELECTRICAL CHARACTERISTICS

ITEM	SYMBOL	CONDITION	MIN.	TYP.	MAX.	UNIT	
Power Supply for Logic	VDD-VSS	-	4.75	5.0	5.25	V	
Recommended LC Driving Voltage	VDD-V0	0°C	4.5	4.8	5.1	V	
		25°C	4.2	4.5	4.8		
		50°C	4.0	4.3	4.6		
Input Voltage	VIH	H level	0.8VDD	-	VDD	V	
	VIL	L level	0	-	0.2VDD	V	
Power Supply Current	IDD	FLM = 70 Hz VDD = 5.0 V VDD-V0 = 4.5V PATTERN : □ ■ □ ■ □ ■ ■ □ ■ □ ■ □	-	1.6	2.4	mA	
LED Power Supply Current	I _{LED}	V _{BL} = 5.0 V _{DC} R _{BL} = 8.2Ω	-	110	165	mA	
LCM	Surface Luminance	L	ALL ON	-	13.9	-	cd/m ²
		L	ALL OFF	-	30.5	-	

NOTE 1: The life is defined by the time when the brightness gets down to 50% of the initial brightness.

4. OPTICAL CHARACTERISTICS

(For Normal Temperature Mode LCM)

AT V_{OP}

ITEM MODE		Cr(Contrast Ratio)						θ (Viewing Angle)		ϕ (Viewing Angle)	
		0°C		25°C		50°C		25°C		25°C	
		MIN.	TYP.	MIN.	TYP.	MIN.	TYP.	MIN.	TYP.	MIN.	TYP.
S	A	4.0	5.0	4.0	5.0	4.0	5.5	35	60	20	32
Note		NOTE 6						NOTE 5			

NOTE :

S : Transflective(Normal)

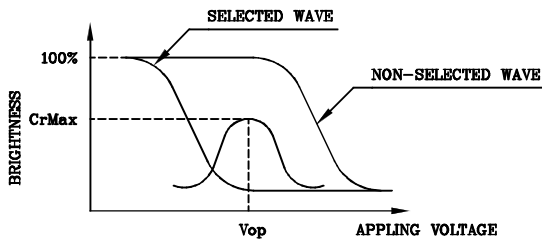
A: Gray , 6 O'clock

AT $\phi=0^\circ \theta=0^\circ$

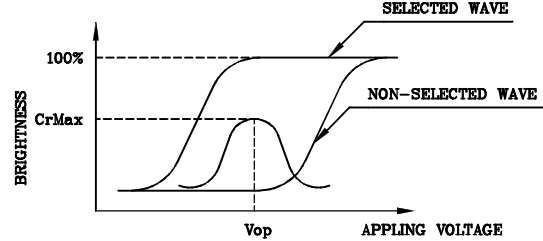
ITEM	SYMBOL	CONDITION	MIN.	TYP.	MAX.	UNIT	NOTE
Response Time (rise)	Tr	0°C	500	1000	1500	ms	NOTE 2
		25°C	100	200	300		
		50°C	30	60	90		
Response Time (fall)	Tf	0°C	100	200	300	ms	NOTE 2
		25°C	40	80	120		
		50°C	20	40	60		

(NOTE 1)

Definition of Operation Voltage(Vop)



(positive type)



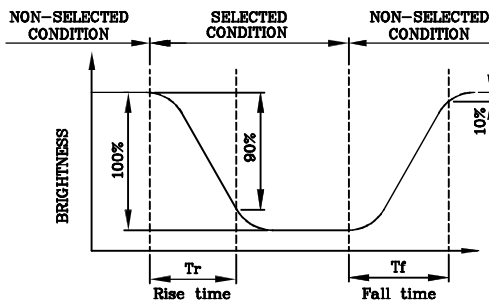
(negative type)

*Conditions

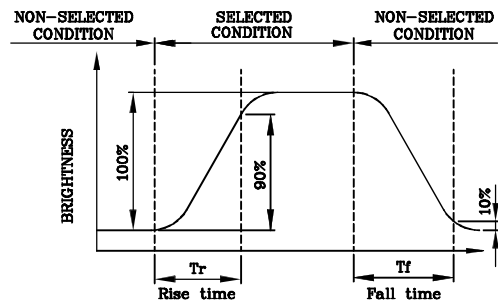
Viewing Angle : 0
Frame Frequency : 70Hz
Applying Waveform : 1/N duty 1/a bias

(NOTE 2)

Definition of Response Time(Tr,Tf)



(positive type)



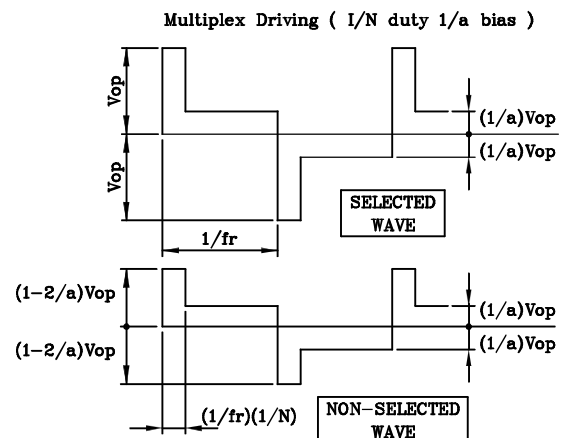
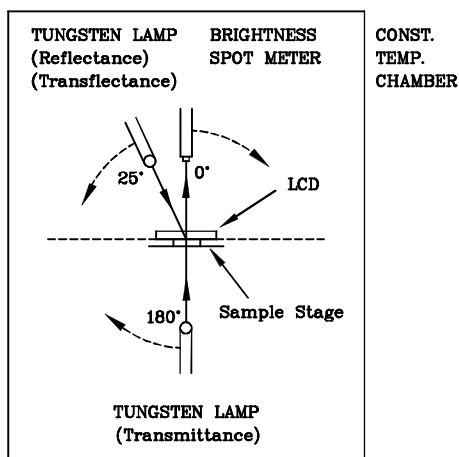
(negative type)

*Conditions

Operating Voltage : Vop
Viewing Angle (θ,φ) : (0,0)
Frame Frequency : 70Hz
Applying Waveform : 1/N duty 1/a bias

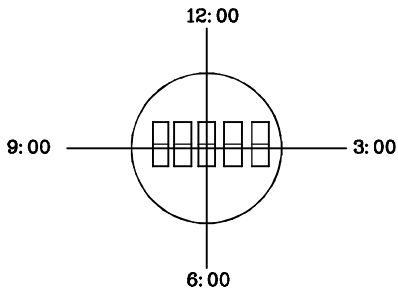
(NOTE 3)

Description of Measuring Equipment and Driving Waveforms



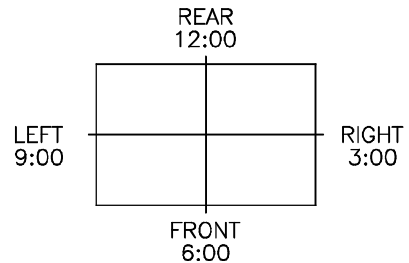
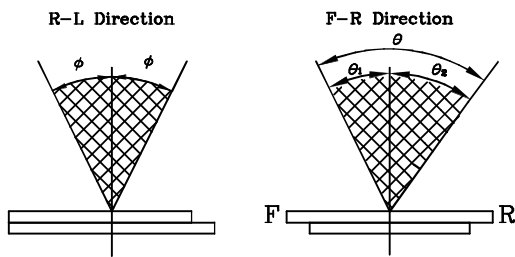
(NOTE 4)

Definition of Viewing Direction



(NOTE 5)

Definition of Viewing Angle



*For This Product
 The Viewing Direction Is 6 O'clock
 So $\theta_1 > \theta_2$

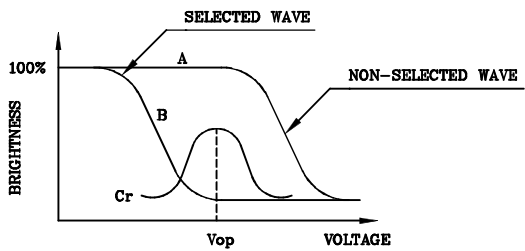
$$\theta = \theta_1 + \theta_2$$

*Conditions

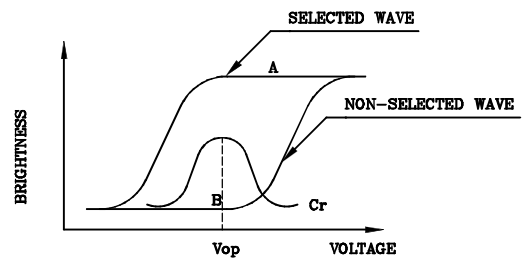
Operating Voltage : V_{op}
 Frame Frequency : 70Hz
 Applying Waveform : 1/N duty 1/a bias
 Contrast Ratio : larger than 2

(NOTE 6)

Definition of Contrast Ratio (Cr)



(positive type)



(negative type)

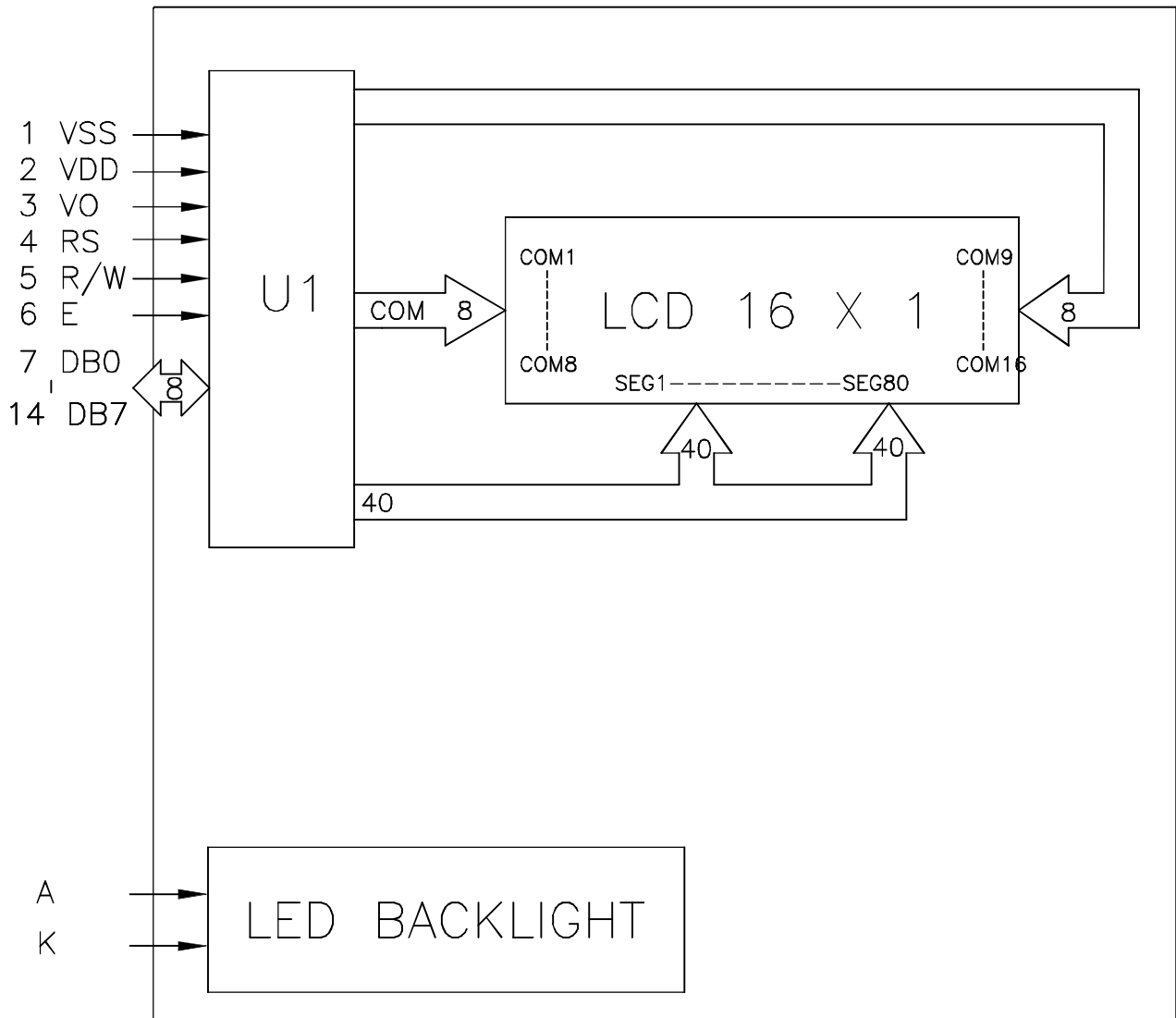
Contrast Ratio : $Cr = A/B$

*Conditions

Viewing Angle : 0
 Frame Frequency : 70Hz
 Applying Waveform : 1/N duty 1/a bias

REV/DATE	R0/ 07.06.2001					APP	CHK	BY T.M.CHEN
----------	-------------------	--	--	--	--	-----	-----	----------------

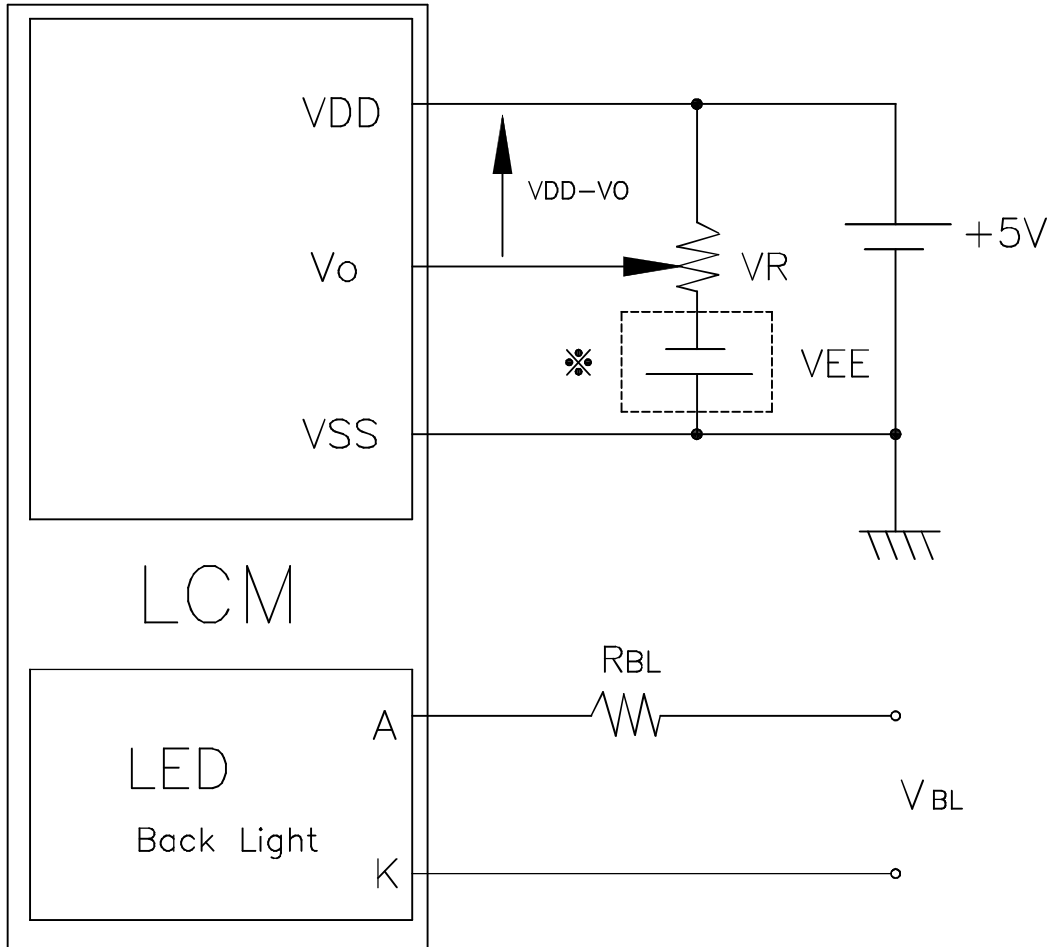
5. BLOCK DIAGRAM



6. INTERNAL PIN CONNECTION

PinNo.	Symbol	Level	Function	
1	V _{SS}	—	0V	POWER SUPPLY
2	V _{DD}	—	+5V	
3	V ₀	—	—	
4	RS	H/L	L:INSTRUCTION CODE INPUT H:DATA INPUT	
5	R/W	H/L	H:DATA READ (FROM LCM TO MPU) L:DATA WRITE (FROM MPU TO LCM)	
6	E	H,H→L	ENABLE SIGNAL	
7	DB0	H/L	DATA BUS LINE	
8	DB1	H/L		
9	DB2	H/L		
10	DB3	H/L		
11	DB4	H/L		
12	DB5	H/L		
13	DB6	H/L		
14	DB7	H/L		

7. POWER SUPPLY



VR = 20K Ω
 VEE = 0V
 RBL = 8.2 Ω

8. TIMING CHARACTERISTICS

Write Cycle (VDD=5.0V, GND=VEE=0V, Ta=25°C)

Item	Symbol	Test condition	Min.	Typ.	Max.	Unit
Enable Cycle Time	t_{cyce}	Fig. a	500	-	-	ns
Enable "H" Level Pulse Width	t_{WE}	Fig. a	300	-	-	ns
Enable Rise/Fall Time	t_{rE} , t_{fE}	Fig. a	-	-	25	ns
RS,R/W Setup Time	t_{sS}	Fig. a	60 (Note 1)	-	-	ns
			100 (Note 2)			
RS,R/W Address Hold Time	t_{aH}	Fig. a	10	-	-	ns
Data output delay	t_{rD}	Fig. a	100	-	-	ns
Data Hold Time	t_{DH}	Fig. a	10	-	-	ns

Read Cycle (VDD=5.0V, GND=VEE=0V, Ta=25°C)

Item	Symbol	Test condition	Min.	Typ.	Max.	Unit
Enable Cycle Time	t_{cyce}	Fig. b	500	-	-	ns
Enable "H" Level Pulse Width	t_{WE}	Fig. b	300	-	-	ns
Enable Rise/Fall Time	t_{rE} , t_{fE}	Fig. b	-	-	25	ns
RS,R/W Setup Time	t_{sS}	Fig. b	60 (Note 1)	-	-	ns
			100 (Note 2)			
RS,R/W Address Hold Time	t_{aH}	Fig. b	10	-	-	ns
Data output delay	t_{rD}	Fig. b	-	-	190	ns
Data Hold Time	t_{DH}	Fig. b	20	-	-	ns

(Note 1): 8-bit operation mode

(Note 2): 4-bit operation mode

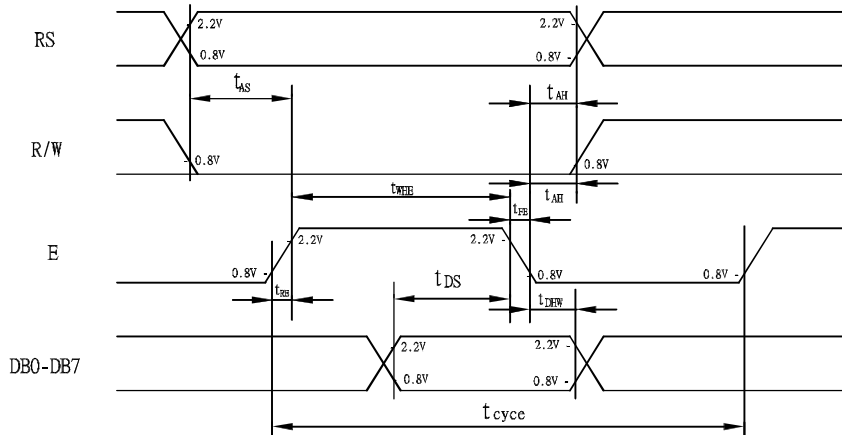


Fig. a Interface timing (data write)

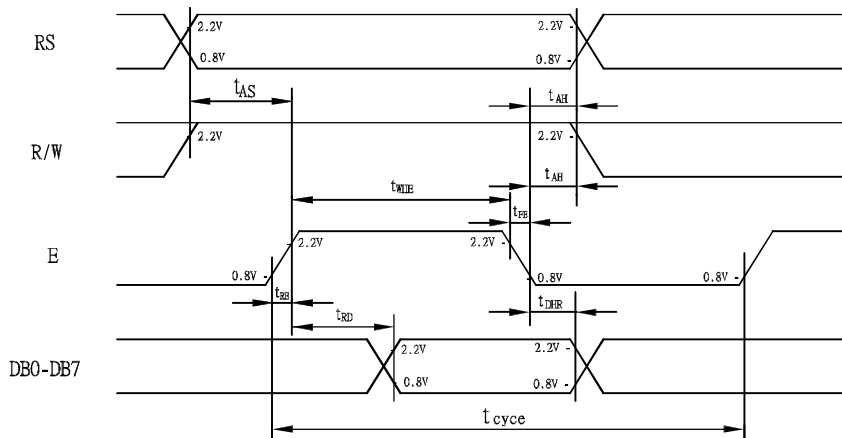


Fig. b Interface timing (data read)

9. RELIABILITY TEST

NO	ITEM	CONDITION			STANDARD	NOTE
1	High Temp. Storage	70°C	120HR		Appearance without defect	
2	Low Temp. Storage	-25°C	120HR		Appearance without defect	
3	High Temp. & High Humi. Storage	40°C 90%RH	120HR		Appearance without defect	
4	Thermal Shock	-20°C,30min→25°C.5min →70°C,30min→25°C.5min (1cycle)			Appearance without defect	5 cycles

Inspection Provision

1.Purpose

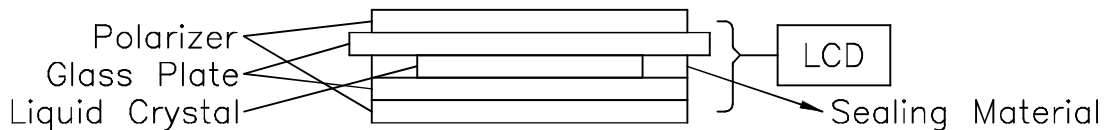
The NAN YA inspection provision provides outgoing inspection provision and its expected quality level based on our outgoing inspection of NAN YA LCD produces.

2.Applicable Scope

The NAN YA inspection provision is applicable to the arrangement in regard to outgoing inspection and quality assurance after outgoing.

3.Technical Terms

3-1 NAN YA Technical Terms



4.Outgoing Inspection Provision

Outgoing inspection is according to the product inspection manual (per 1-1 , 1-2 & 1-3).

4-1 Inspection Method

MIL-STD-105D Level II Regular inspection

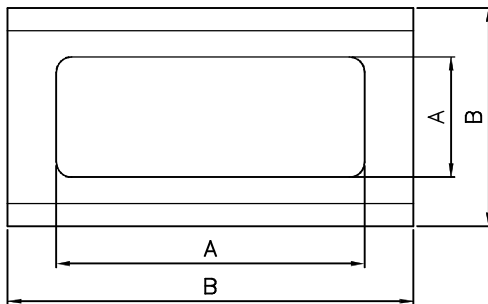
4-2 Inspection Standard

	Item		AQL(%)	Remarks
Major Defect	Dots	Opens Shorts Erroneous operation	0.4	faults which substantially lower the practicality and the initial purpose difficult to achieve.
	Solder appearance	Shorts Loose		
	Cracks	Display surface cracks		

	Dimensions	External from Dimensions	0.4	
Minor Defect	Inside the glass	Black spots	0.65	faults which appear to pose almost no obstacle to the practicality, effective use, and operation.
	Polarizing plate	Scratches, foreign Matter, air bubbles, and peeling		
	Dots	Pinhole, deformation		
	Color tone	Color unevenness		
	Solder appearance	Cold solder Solder projections		

4-3 Inspection Provisions
*Viewing Area Definition

Fig. 1



A : Zone Viewing Area
B : Zone Glass Plate Out Line

*Inspection place to be 500 to 1000 lux illuminance uniformly without glaring.
The distance between luminous source(daylight fluorescent lamp and cool white fluorescent lamp) and a sample to be 30cm to 50cm.

NAN YA PLASTICS CORP. ELEC. MATERIALS DIV. LCD DEPARTMENT	SPECIFICATION	SPEC. NO. : LM018-2 DATE : JUL. 06,2001 SHEET NO. : 14
---	---------------	--

*Test and measurement are performed under the following conditions, unless otherwise specified.

Otherwise specified.

Temperature	20± 15°C
Humidity	65± 20%R.H..
Pressure	860~1060hPa(mmbar)

In case of doubtful judgment, it is performed under the following conditions.

Temperature	20± 2°C
Humidity	65± 5%R.H..
Pressure	860~1060hPa(mmbar)

5.Specification for quality check

5-1 Electrical characteristics

NO.	Item	Criterion
1.	Non operational	Fail
2.	Miss operating	Fail
3.	Missing dot	Fail
4.	Contrast irregular	Non allowable
5.	Response time	Within Specified value

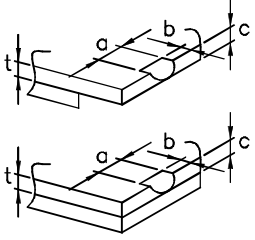
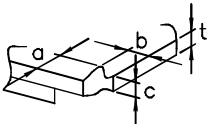
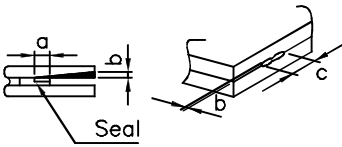
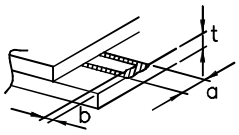
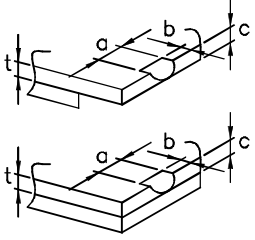
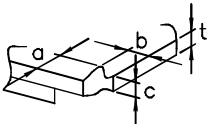
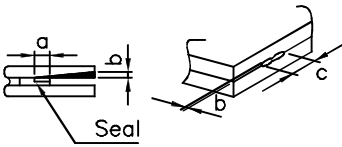
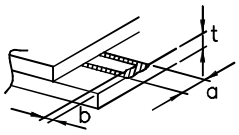
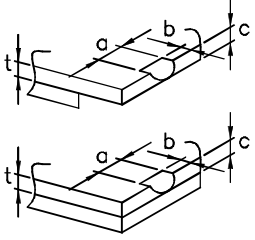
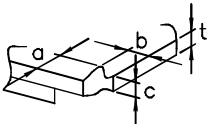
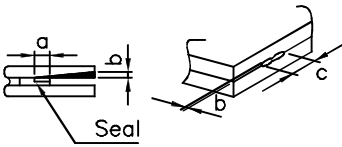
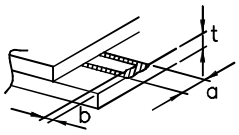
REV/DATE	RO/ 07.06.2001					APP	CHK	BY	T.M.CHEN
----------	-------------------	--	--	--	--	-----	-----	----	----------

5-2 External Appearance Defect

NO.	Item	Criterion																		
1.	Black spots, foreign matter, and white spots (Including light leakage due to pinholes of polarizing plates, etc.)	<p>(1)-1-Spots</p> <table border="1" data-bbox="716 512 1321 784"> <thead> <tr> <th>Average Diameter(mm):D</th> <th>Number of pieces permitted</th> </tr> </thead> <tbody> <tr> <td>$D \leq 0.1$</td> <td>Ignore</td> </tr> <tr> <td>$0.1 < D \leq 0.2$</td> <td>5</td> </tr> <tr> <td>$0.2 < D \leq 0.3$</td> <td>2</td> </tr> <tr> <td>$0.3 < D$</td> <td>0</td> </tr> </tbody> </table> <p>Number of total pieces is set to within 5 pieces.</p> <p>Note that when there are 2 pieces or more, they are not to be concentrated. Set as: Average diameter = (Long diameter + Short diameter)/2</p> <p>(1)-2-Blurred Spots(At lighting condition)</p> <table border="1" data-bbox="716 1180 1321 1406"> <thead> <tr> <th>Average Diameter(mm):D</th> <th>Number of pieces permitted</th> </tr> </thead> <tbody> <tr> <td>$D \leq 0.3$</td> <td>Ignore</td> </tr> <tr> <td>$0.3 < D \leq 0.75$</td> <td>5</td> </tr> <tr> <td>$0.75 < D$</td> <td>0</td> </tr> </tbody> </table> <p>Number of total pieces is set to within 5 pieces.</p> <p>Note that when there are 2 pieces or more, they are not to be concentrated. Set as: Average diameter = (Long diameter + Short diameter)/2</p>	Average Diameter(mm):D	Number of pieces permitted	$D \leq 0.1$	Ignore	$0.1 < D \leq 0.2$	5	$0.2 < D \leq 0.3$	2	$0.3 < D$	0	Average Diameter(mm):D	Number of pieces permitted	$D \leq 0.3$	Ignore	$0.3 < D \leq 0.75$	5	$0.75 < D$	0
Average Diameter(mm):D	Number of pieces permitted																			
$D \leq 0.1$	Ignore																			
$0.1 < D \leq 0.2$	5																			
$0.2 < D \leq 0.3$	2																			
$0.3 < D$	0																			
Average Diameter(mm):D	Number of pieces permitted																			
$D \leq 0.3$	Ignore																			
$0.3 < D \leq 0.75$	5																			
$0.75 < D$	0																			

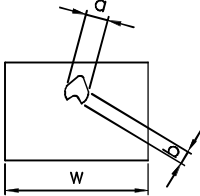
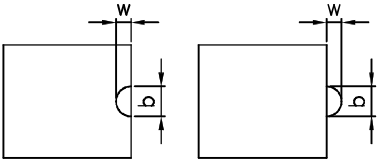
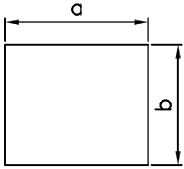
SPECIFICATION

1.	Black spots, foreign matter, and white spots (Including light leakage due to pinholes of polarizing plates, etc.)	<p>(1)-1 Spots(At non lighting condition)</p> <table border="1" data-bbox="715 465 1414 734"> <thead> <tr> <th>Width(mm):W</th> <th>Length(mm):L</th> <th>Number of pieces permitted</th> </tr> </thead> <tbody> <tr> <td>$W \leq 0.03$</td> <td>Ignore</td> <td>Ignore</td> </tr> <tr> <td>$0.03 < W \leq 0.08$</td> <td>$L \leq 4$</td> <td>2</td> </tr> <tr> <td>$0.08 < W \leq 0.1$</td> <td>$L \leq 1$</td> <td>1</td> </tr> </tbody> </table> <p>Object exceeding 0.1mm follow the standards of the spots form. Note that when there are 2 pieces or more, they are not to be concentrated.</p> <p>(1)-2 Spots(At lighting condition)</p> <table border="1" data-bbox="715 1021 1414 1290"> <thead> <tr> <th>Width(mm):W</th> <th>Length(mm):L</th> <th>Number of pieces permitted</th> </tr> </thead> <tbody> <tr> <td>$W \leq 0.03$</td> <td>Ignore</td> <td>Ignore</td> </tr> <tr> <td>$0.03 < W \leq 0.08$</td> <td>$L \leq 3$</td> <td>6</td> </tr> <tr> <td>$0.08 < W$</td> <td>$3 < L$</td> <td>None</td> </tr> </tbody> </table> <p>Object exceeding 0.1mm follow the standards of the spots form. Note that when there are 2 pieces or more, they are not to be concentrated.</p>	Width(mm):W	Length(mm):L	Number of pieces permitted	$W \leq 0.03$	Ignore	Ignore	$0.03 < W \leq 0.08$	$L \leq 4$	2	$0.08 < W \leq 0.1$	$L \leq 1$	1	Width(mm):W	Length(mm):L	Number of pieces permitted	$W \leq 0.03$	Ignore	Ignore	$0.03 < W \leq 0.08$	$L \leq 3$	6	$0.08 < W$	$3 < L$	None
Width(mm):W	Length(mm):L	Number of pieces permitted																								
$W \leq 0.03$	Ignore	Ignore																								
$0.03 < W \leq 0.08$	$L \leq 4$	2																								
$0.08 < W \leq 0.1$	$L \leq 1$	1																								
Width(mm):W	Length(mm):L	Number of pieces permitted																								
$W \leq 0.03$	Ignore	Ignore																								
$0.03 < W \leq 0.08$	$L \leq 3$	6																								
$0.08 < W$	$3 < L$	None																								
2.	Scratches(Glass, reflection plates, and polarizing plates)	In accordance with black spots. (At non lighting condition)																								
3.	Color irregular	Not remarkable color irregular.																								

<p>4. Air bubbles polarizing plates, and reflection plates</p>	<table border="1" data-bbox="715 421 1201 694"> <tr> <th data-bbox="715 421 959 555">Average Diameter (mm):D</th> <th data-bbox="959 421 1201 555">Number of pieces permitted</th> </tr> <tr> <td data-bbox="715 555 959 600">$D \leq 0.3$</td> <td data-bbox="959 555 1201 600">Ignore</td> </tr> <tr> <td data-bbox="715 600 959 694">$0.3 < D$</td> <td data-bbox="959 600 1201 694">0</td> </tr> </table> <p data-bbox="1201 421 1434 645">Average diameter = (Long diameter + Short diameter)/2</p> <p data-bbox="715 705 1434 795">Note that when there are 4 pieces or more, they are not to be concentrated.</p>	Average Diameter (mm):D	Number of pieces permitted	$D \leq 0.3$	Ignore	$0.3 < D$	0				
Average Diameter (mm):D	Number of pieces permitted										
$D \leq 0.3$	Ignore										
$0.3 < D$	0										
<p>5. Cracks</p>	<table border="1" data-bbox="667 795 1434 1910"> <tr> <td data-bbox="667 795 1050 1164"> <p>(1)General crack</p>  </td> <td data-bbox="1050 795 1434 1164"> <p>$a \leq 5$ $b \leq 2$ $c \leq t$</p> <p>Where, a and b are ignored when less than or equal 0.5. The numbers of pieces are set at up to 5 pieces.</p> </td> </tr> <tr> <td data-bbox="667 1164 1050 1344"> <p>(2)Corner crack</p>  </td> <td data-bbox="1050 1164 1434 1344"> <p>$a \leq 2.5$ $b \leq 2.5$ $c \leq t$ $a + b \leq 4$</p> </td> </tr> <tr> <td data-bbox="667 1344 1050 1601"> <p>(3)Seal portion crack</p>  </td> <td data-bbox="1050 1344 1434 1601"> <p>$a \leq \text{The seal width} \times 1/3$ $b \leq t \times 2/3$ $c \leq 5$</p> <p>The numbers of pieces are set at up to 5 pieces.</p> </td> </tr> <tr> <td data-bbox="667 1601 1050 1825"> <p>(4)ITO Pin crack</p>  </td> <td data-bbox="1050 1601 1434 1825"> <p>$a \leq 5$ $b \leq 1/3 \text{ pin length}$ $c \leq t$</p> </td> </tr> <tr> <td data-bbox="667 1825 1050 1910"> <p>(5)Progressive cracks</p> </td> <td data-bbox="1050 1825 1434 1910"> <p>All taken to be unacceptable.</p> </td> </tr> </table>	<p>(1)General crack</p> 	<p>$a \leq 5$ $b \leq 2$ $c \leq t$</p> <p>Where, a and b are ignored when less than or equal 0.5. The numbers of pieces are set at up to 5 pieces.</p>	<p>(2)Corner crack</p> 	<p>$a \leq 2.5$ $b \leq 2.5$ $c \leq t$ $a + b \leq 4$</p>	<p>(3)Seal portion crack</p> 	<p>$a \leq \text{The seal width} \times 1/3$ $b \leq t \times 2/3$ $c \leq 5$</p> <p>The numbers of pieces are set at up to 5 pieces.</p>	<p>(4)ITO Pin crack</p> 	<p>$a \leq 5$ $b \leq 1/3 \text{ pin length}$ $c \leq t$</p>	<p>(5)Progressive cracks</p>	<p>All taken to be unacceptable.</p>
<p>(1)General crack</p> 	<p>$a \leq 5$ $b \leq 2$ $c \leq t$</p> <p>Where, a and b are ignored when less than or equal 0.5. The numbers of pieces are set at up to 5 pieces.</p>										
<p>(2)Corner crack</p> 	<p>$a \leq 2.5$ $b \leq 2.5$ $c \leq t$ $a + b \leq 4$</p>										
<p>(3)Seal portion crack</p> 	<p>$a \leq \text{The seal width} \times 1/3$ $b \leq t \times 2/3$ $c \leq 5$</p> <p>The numbers of pieces are set at up to 5 pieces.</p>										
<p>(4)ITO Pin crack</p> 	<p>$a \leq 5$ $b \leq 1/3 \text{ pin length}$ $c \leq t$</p>										
<p>(5)Progressive cracks</p>	<p>All taken to be unacceptable.</p>										

6.	Outer dimensions	Should be with in the tolerance.
7.	Newton ring	Orbicular of interference fringes. To be non. In case of doubtful judgenemt, agreement shall be reachment.
8.	Soldering	Should be no defective soldering such as shorting, loose terminal cold solder, peeling of printed circuit board pattern, improper mouting position, etc.

5-3 Dot Appearance Defect

NO.	Item	Criteria
1.	Plinhole	 <p>Dot display a and b are each $\leq 0.2\text{mm}$ The overall total is taken be with in 10 units. Note that they are not to be concentrated.</p>
2.	Missing	 <p>Dot display a and b are each $\leq 0.2\text{mm}$ The overall total is taken to be with in 10 units.</p>
3.	Thick and thin display	 <p>Taken to be within $\pm 1.5\%$ of display character width(a) and height(b).</p>

NAN YA PLASTICS CORP. ELEC. MATERIALS DIV. LCD DEPARTMENT	SPECIFICATION	SPEC. NO. : LM018-2 DATE : JUL. 06,2001 SHEET NO. : 19
---	---------------	--

NOTICE:

- SAFETY

- 1.If the LCD panel breaks, be careful not to get the liquid crystal to touch your skin.
- 2.If the liquid crystal touches your skin or clothes, please wash it off immediately by using soap and water.

- HANDLING

- 1.Avoid static electricity which can damage the CMOS LSI.
- 2.Do not remove the panel or frame from the module.
- 3.The polarizing plate of the display is very fragile. So, please handle it very carefully.
- 4.Do not wipe the polarizing plate with a dry cloth, as it may easily scratch the surface of plate.
- 5.Do not use ketonics solvent & Aromatic solvent, use with a soft cloth soaked with a cleaning naphtha solvent.

- STORAGE

- 1.Store the panel or module in a dark place where the temperature is $25^{\circ}\text{C}\pm 5^{\circ}\text{C}$ and the humidity is below 65% RH.
- 2.Do not place the module near organics solvents or corrosive gases.
- 3.Do not crush, shake, or jolt the module.

- TERMS OF WARRANT

- 1.Acceptance inspection period
The period is within one month after the arrival of contracted commodity at the buyer's factory site.
- 2.Applicable warrant period
The period is within twelve months since the date of shipping out under normal using and storage conditions.

- THE OPERATING LIFE TIME OF BACK LIGHT

- LED: 40,000hrs for IF=10mA,25℃
 (Operating life time is defined as follows : The final brightness is at 50% of original brightness.)

REV/DATE	RO/ 07.06.2001					APP	CHK	BY	T.M.CHEN
----------	-------------------	--	--	--	--	-----	-----	----	----------

DISPLAY PATTERN (16X1)

Display Data RAM address

01	02	03	04	05	06	07	08	09	10	11	12	13	14	15	16
00	01	02	03	04	05	06	07	40	41	42	43	44	45	46	47

CHARACTER PATTERN

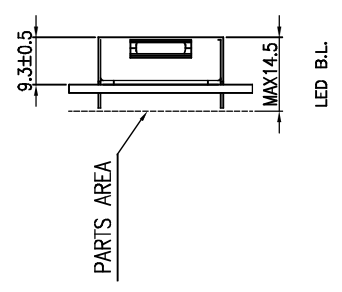
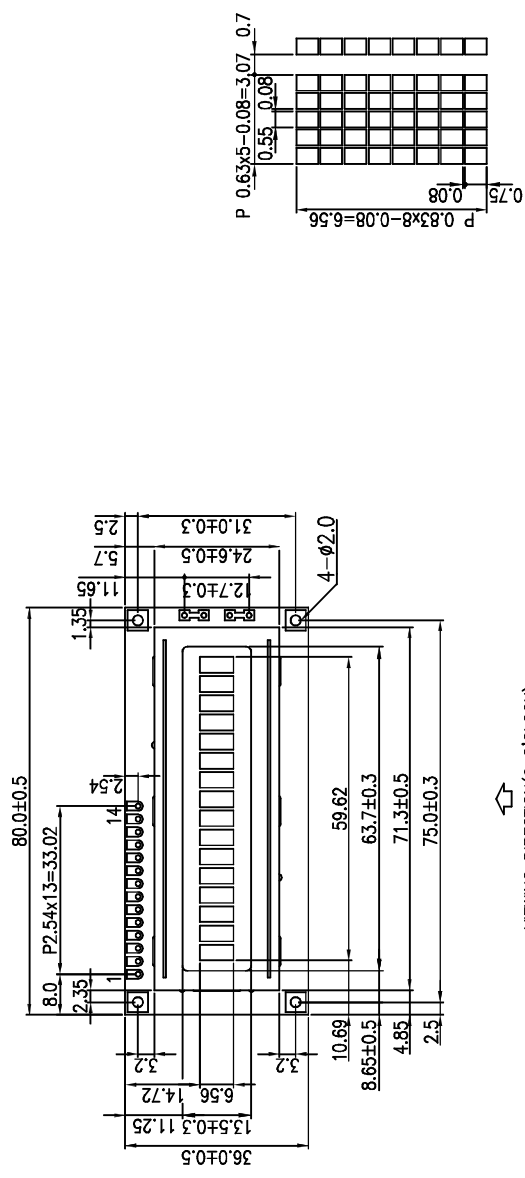
Upper 4dit / lower 4bit	LLLL	LLHL	LLHH	LHLL	LHLH	LHHL	LHHH	HLLL	HLLH	HLHL	HLHH	HHLL	HHLH	HHHL	HHHH
	LLLL	CG RAM (1)													
LLLH	(2)														
LLHL	(3)														
LLHH	(4)														
LHLL	(5)														
LHLH	(6)														
LHHL	(7)														
LHHH	(8)														
HLLL	(1)														
HLLH	(2)														
HLHL	(3)														
HLHH	(4)														
HHLL	(5)														
HHLH	(6)														
HHHL	(7)														
HHHH	(8)														

CONTROL and DISPLAY COMMAND

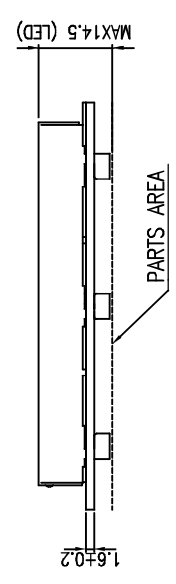
COMMAND	RS	R/W	DB7	DB6	DB5	DB4	DB3	DB2	DB1	DB0	EXECUTION TIME(MAX.) (Fosc =270kHz)	REMARK																		
CLEAR DISPLAY	0	0	0	0	0	0	0	0	0	1	1.52ms																			
RETURN HOME	0	0	0	0	0	0	0	0	1	X	1.52ms	CURSOR MOVE TO FIRST DIGIT																		
ENTRY MODE SET	0	0	0	0	0	0	0	1	I/D	S	37μS	<ul style="list-style-type: none"> •ASSIGN CURSOR MOVING DIRECTION <table border="1"> <tr> <td>I/D</td> <td>1</td> <td>INCREMENT</td> </tr> <tr> <td>I/D</td> <td>0</td> <td>DECREMENT</td> </tr> </table> <ul style="list-style-type: none"> •DISPLAY SHIFT ENABLE BIT <table border="1"> <tr> <td>S</td> <td>1</td> <td>ACCOMPANIES DISPLAY SHIFT</td> </tr> <tr> <td>S</td> <td>0</td> <td>DISPLAY SHIFT DISABLE</td> </tr> </table>	I/D	1	INCREMENT	I/D	0	DECREMENT	S	1	ACCOMPANIES DISPLAY SHIFT	S	0	DISPLAY SHIFT DISABLE						
I/D	1	INCREMENT																												
I/D	0	DECREMENT																												
S	1	ACCOMPANIES DISPLAY SHIFT																												
S	0	DISPLAY SHIFT DISABLE																												
DISPLAY ON/OFF CONTROL	0	0	0	0	0	0	1	D	C	B	37μS	<ul style="list-style-type: none"> •DISPLAY <table border="1"> <tr> <td>D</td> <td>1</td> <td>DISPLAY ON</td> </tr> <tr> <td>D</td> <td>0</td> <td>DISPLAY OFF</td> </tr> </table> <ul style="list-style-type: none"> •CURSOR <table border="1"> <tr> <td>C</td> <td>1</td> <td>CURSOR ON</td> </tr> <tr> <td>C</td> <td>0</td> <td>CURSOR OFF</td> </tr> </table> <ul style="list-style-type: none"> •BLINK <table border="1"> <tr> <td>B</td> <td>1</td> <td>BLINK ON</td> </tr> <tr> <td>B</td> <td>0</td> <td>BLINK OFF</td> </tr> </table>	D	1	DISPLAY ON	D	0	DISPLAY OFF	C	1	CURSOR ON	C	0	CURSOR OFF	B	1	BLINK ON	B	0	BLINK OFF
D	1	DISPLAY ON																												
D	0	DISPLAY OFF																												
C	1	CURSOR ON																												
C	0	CURSOR OFF																												
B	1	BLINK ON																												
B	0	BLINK OFF																												
CURSOR OR DISPLAY SHIFT	0	0	0	0	0	1	S/C	R/L	X	X	37μS	<table border="1"> <tr> <td>SC</td> <td>1</td> <td>DISPLAY SHIFT</td> </tr> <tr> <td>SC</td> <td>0</td> <td>CURSOR MOVE</td> </tr> </table> <table border="1"> <tr> <td>R/L</td> <td>1</td> <td>SHIFT TO THE RIGHT</td> </tr> <tr> <td>R/L</td> <td>0</td> <td>SHIFT TO THE LEFT</td> </tr> </table>	SC	1	DISPLAY SHIFT	SC	0	CURSOR MOVE	R/L	1	SHIFT TO THE RIGHT	R/L	0	SHIFT TO THE LEFT						
SC	1	DISPLAY SHIFT																												
SC	0	CURSOR MOVE																												
R/L	1	SHIFT TO THE RIGHT																												
R/L	0	SHIFT TO THE LEFT																												
FUNCTION SET	0	0	0	0	1	DL	N	F	X	X	37μS	<table border="1"> <tr> <td>DL</td> <td>1</td> <td>8 BITS</td> </tr> <tr> <td>DL</td> <td>0</td> <td>4 BITS</td> </tr> </table> <table border="1"> <tr> <td>N</td> <td>1</td> <td>2 LINE</td> </tr> <tr> <td>N</td> <td>0</td> <td>1 LINE</td> </tr> </table> <table border="1"> <tr> <td>F</td> <td>1</td> <td>5 X 10 DOTS</td> </tr> <tr> <td>F</td> <td>0</td> <td>5 X 8 DOTS</td> </tr> </table>	DL	1	8 BITS	DL	0	4 BITS	N	1	2 LINE	N	0	1 LINE	F	1	5 X 10 DOTS	F	0	5 X 8 DOTS
DL	1	8 BITS																												
DL	0	4 BITS																												
N	1	2 LINE																												
N	0	1 LINE																												
F	1	5 X 10 DOTS																												
F	0	5 X 8 DOTS																												
SET CGRAM ADDRESS	0	0	0	1	CGRAM address					37μS	CGRAM Data is sent and received after this setting																			
SET DDRAM ADDRESS	0	0	1	DDRAM address (corresponds to cursor address)					37μS	DDRAM Data is sent and received after this setting																				
READ BUSY FLAG(BF) & ADDRESS	0	1	BF	Address Counter used for Both DDRAM & CGRAM address					0μS	<table border="1"> <tr> <td>BF</td> <td>1</td> <td>INTERNALLY OPERATING</td> </tr> <tr> <td>BF</td> <td>0</td> <td>INSTRUCTIONS ACCEPTABLE</td> </tr> </table> <p>Reads BF indicating internal operation is being performed and reads address counter contents</p>	BF	1	INTERNALLY OPERATING	BF	0	INSTRUCTIONS ACCEPTABLE														
BF	1	INTERNALLY OPERATING																												
BF	0	INSTRUCTIONS ACCEPTABLE																												
WRITE DATA	1	0	Write Data					43μS	Writes data into DDRAM or CGRAM																					
READ DATA	1	1	Read Data					43μS	Reads data form DDRAM or CGRAM																					

X : Don't care

REV/DATE	R0/ 07.06.2001									APP	CHK	BY T.M.CHEN
----------	-------------------	--	--	--	--	--	--	--	--	-----	-----	----------------



VIEWING DIRECTION (6 O'CLOCK)



Note :
 1. RESOLUTION : 16x1 Characters
 2. BACKLIGHT : LED

GENERAL TOLERANCE LIST

DIMENSION	TOLERANCE
L ≤ 6	±0.25 (mm)
6 < L ≤ 18	±0.3 (mm)
18 < L ≤ 50	±0.4 (mm)
50 < L ≤ 125	±0.5 (mm)
125 < L	±0.6 (mm)

南亞塑膠工業股份有限公司 NAN YA PLASTICS CORPORATION	
製口圖	
LMM83S018C2N	
NAME	DATE
THIRD ANGLE P.	
APPROVE	
CHECK	
DESIGN	J.H. SUN 90.06.04
SCALE	UNIT
DRAWN	J.H. SUN 90.06.04 1/1 mm
DWG NO.	M0118-D2A

PIN NO	SYMBOL	FUNCTION	PIN NO	SYMBOL	FUNCTION
1	V _{SS}	Power Supply (0V)	7	DB0	DATA BUS LINE
2	V _{DD}	Power Supply (+5V)	8	DB1	
3	V _O	Power Supply	9	DB2	
4	RS	L: Instruction Code Input H: Data Input	10	DB3	
5	R/W	H: Data Read (From Lcm to mpu) L: Data Write (From mpu to Lcm)	11	DB4	
6	E	Enable Signal	12	DB5	
			13	DB6	
			14	DB7	

REV. NO.	DESCRIPTION	DATE	DESIGN	CHECK	APPROVE