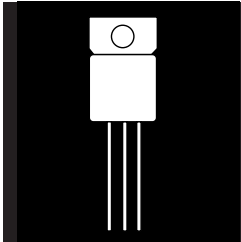


OM5301ST/RT/DT OM5303ST/RT/DT  
OM5302ST/RT/DT OM5304ST/RT/DT

# 20 AMP ULTRA FAST, ULTRA LOW FORWARD VOLTAGE CENTER-TAP POWER RECTIFIER



**20 Amp, 50 To 200 Volts, 35 ns trr**

## FEATURES

- Small Size/JEDEC TO-257AA Outline
- Very Low Forward Voltage
- Very Fast Switching Time
- Hermetic And Isolated Metal Package
- Available As Common Cathode Or Common Anode
- Low Thermal Resistance
- Available Screened To MIL-S-19500, TX, TXV, And S-Levels

## DESCRIPTION

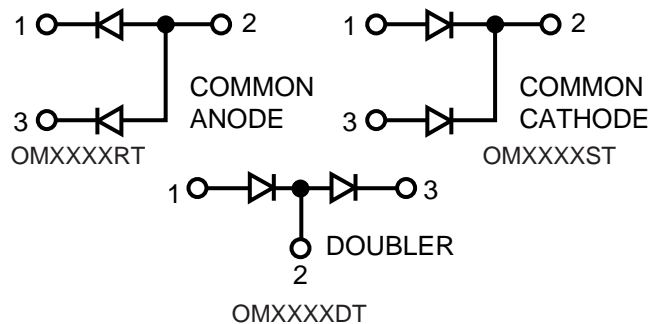
This series of products in a hermetic package is specifically designed for use at power switching frequencies in excess of 100 kHz. This series of ultra fast rectifiers is packaged in a small easy-to-use JEDEC TO-257AA package, replacing conventional DO-4 and TO-3 packaging. These devices are ideally suited for demanding applications where small size and a hermetically sealed package are required. All devices are available Hi-Rel screened in Omnirel's facility. (See Omnirel's OM803 Hi-Rel screening program.)

## ABSOLUTE MAXIMUM RATINGS (Per Diode) @ 25°C

Peak Inverse Voltage .....	50 to 200 V
Maximum Average D.C. Output Current .....	10 A
Non-Repetitive Sinusoidal Surge Current 8.3 ms .....	180 A
Thermal Resistance, Junction-to-Case .....	2.0° C/W
Operating and Storage Temperature Range .....	- 55° C to + 150° C

3.2

## SCHEMATIC



Common cathode is standard. Contact the factory for performance characteristics for common anode and doubler.  
Z-Tab package also available.

Copyright © Each Manufacturing Company.

All Datasheets cannot be modified without permission.

This datasheet has been download from :

[www.AllDataSheet.com](http://www.AllDataSheet.com)

100% Free DataSheet Search Site.

Free Download.

No Register.

Fast Search System.

[www.AllDataSheet.com](http://www.AllDataSheet.com)