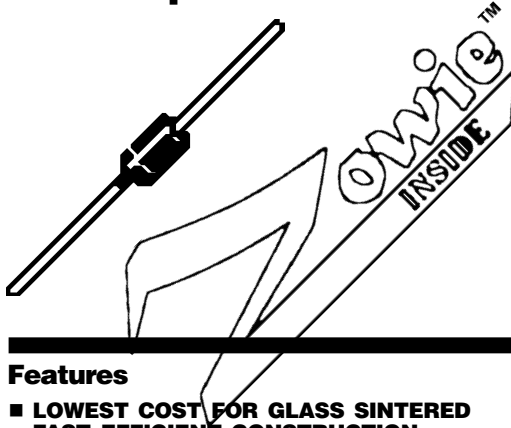




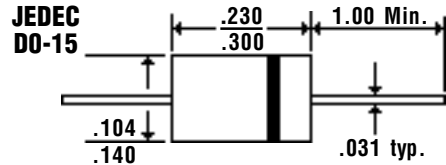
Description

2.0 Amp Glass Passivated Sintered Fast Efficient Rectifiers

EGPZ20A . . . 20M Series



Mechanical Dimensions



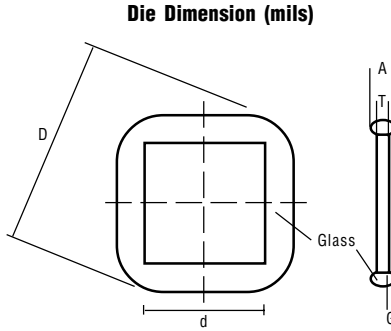
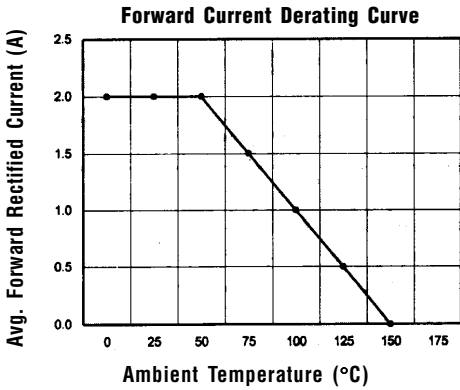
Features

- **LOWEST COST FOR GLASS SINTERED FAST EFFICIENT CONSTRUCTION**
- **LOWEST V_f FOR GLASS SINTERED FAST EFFICIENT CONSTRUCTION**
- **TYPICAL $I_r < 100$ nAmps**
- **2.0 AMP OPERATION @ $T_A = 55^\circ\text{C}$, WITH NO THERMAL RUNAWAY**
- **SINTERED GLASS CAVITY-FREE JUNCTION**

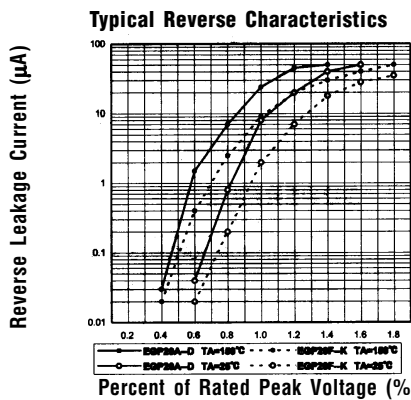
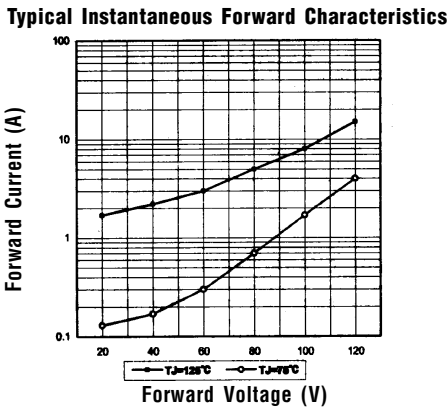
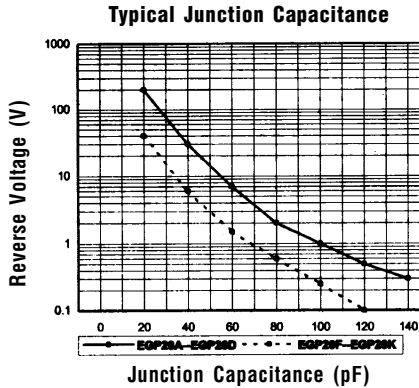
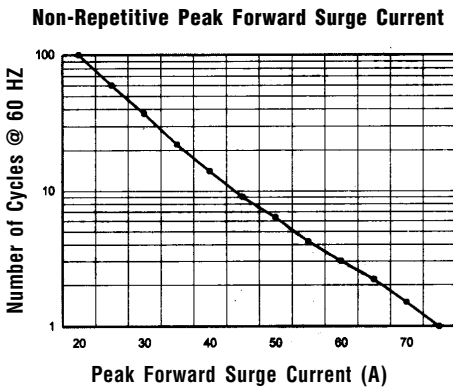
Electrical Characteristics @ 25°C.	EGPZ20A . . . 20M Series							Units
Maximum Ratings	20A	20B	20D	20G	20J	20K	20M	
Peak Repetitive Reverse Voltage... V_{RRM}	50	100	200	400	600	800	1000	Volts
RMS Reverse Voltage... $V_{R(rms)}$	35	70	140	280	420	560	700	Volts
DC Blocking Voltage... V_{DC}	50	100	200	400	600	800	1000	Volts
Average Forward Rectified Current... $I_{F(av)}$ Current 3/8" Lead Length @ $T_A = 55^\circ\text{C}$ 2.0							Amps
Non-Repetitive Peak Forward Surge Current... I_{FSM} 8.3mS, 1/2 Sine Wave Superimposed on Rated Load 80							Amps
Forward Voltage @ Rated Forward Current and 25°C... V_f	< 1.0		1.3		< 1.7			Volts
Full Load Reverse Current... I_r (av) Full Cycle Average @ $T_A = 55^\circ\text{C}$ 100							μAmps
DC Reverse Current... $I_{R(max)}$ @ Rated DC Blocking Voltage	$T_A = 25^\circ\text{C}$		 5.0				μAmps
	$T_A = 150^\circ\text{C}$		 200				μAmps
Typical Junction Capacitance... C_j (Note 1) 35							pF
Maximum Thermal Resistance... $R_{\theta JA}$ (Note 2) 22							°C/W
Maximum Reverse Recovery Time... t_{RR} (Note 3)	< 50		< 75					nS
Operating & Storage Temperature Range... T_J, T_{STRG} -65 to 150							°C

2.0 Amp Glass Passivated Sintered Fast Efficient Rectifiers

EGPZ20A . . . 20M Series



D	d	G	T	A
96	64	2+0.5	11	15±1



Ratings at 25 Deg. C ambient temperature unless otherwise specified.

Single Phase Half Wave, 60 HZ Resistive or Inductive Load.

For Capacitive Load, Derate Current by 20%.

- NOTES:**
1. Measured @ 1 MHz and applied reverse voltage of 4.0V.
 2. Thermal Resistance from Junction to Ambient at 3/8" Lead Length, P.C. Board Mounted.
 3. Reverse Recovery Condition $I_F = 0.5A$, $I_R = 1.0A$, $I_{RR} = 0.25A$.