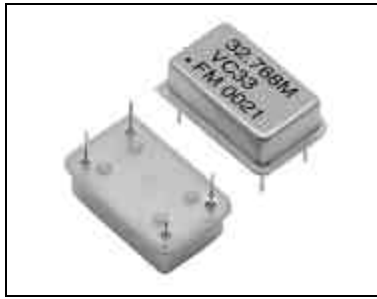


FMVC33 SERIES

3.3 Vdc VCXO

14 PIN DIP



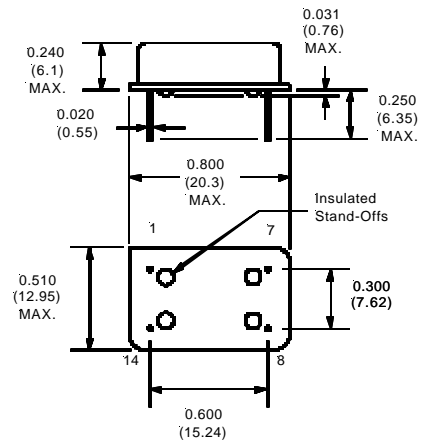
- 3.3 Vdc Supply Voltage
- HCMOS/TTL Compatible
- Low Current Consumption
- High Frequency

SPECIFICATIONS

Parameter	Specification										
Frequency Range	500.0 kHz to 54.9 MHz (Std.) 55.0MHz to 155.52 MHz (Inverted Mesa)										
Overall Frequency Tolerance	±20 ppm to ±100 ppm (Inclusive of Operating Temp., Supply Voltage, & Load.)										
Operating Temperature Range	0 to +70 °C Std.										
Storage Temperature	-55 to +125 °C										
Supply Voltage (Vdd)	+3.3 Vdc (±0.3 Vdc)										
Supply Current (Icc)	15 mA max. @ 500.0 kHz to 23.9 MHz 30 mA max. @ 24.0 to 60.0 MHz										
Symmetry (Duty Cycle)	40/60% Std., 45/55% Available. (See Spec. Option S)										
Output "0" Level (VoL)	0.4 Vdc max. (TTL) 0.4 Vdc max. (HCMOS)										
Output "1" Level (VoH)	2.4 Vdc min. (TTL) 2.7 Vdc min. (HCMOS)										
Rise and Fall Time	10 ns max. < 5 ns typical										
Linearity	±20% max. Std., ±10% Available (See Spec. Option L)										
Output Load	10 TTL / 15 pF HCMOS < 40.0 MHz 15 pF HCMOS										
Pullability	±50 to ±125 ppm Available. (Select a min. and max. pullability from part number.) Voltage Control Pin 1 Nom. 1.65 Vdc, Range 0.0 to 3.3 Vdc										
Jitter (typical)	< 10 pico seconds, one sigma										
Phase Noise (typical)	<table border="1"> <tr><td>10 Hz</td><td>-75dBc/Hz</td></tr> <tr><td>100 Hz</td><td>-110dBc/Hz</td></tr> <tr><td>1kHz</td><td>-125dBc/Hz</td></tr> <tr><td>10kHz</td><td>-130dBc/Hz</td></tr> <tr><td>100kHz</td><td>-140dBc/Hz</td></tr> </table>	10 Hz	-75dBc/Hz	100 Hz	-110dBc/Hz	1kHz	-125dBc/Hz	10kHz	-130dBc/Hz	100kHz	-140dBc/Hz
10 Hz	-75dBc/Hz										
100 Hz	-110dBc/Hz										
1kHz	-125dBc/Hz										
10kHz	-130dBc/Hz										
100kHz	-140dBc/Hz										
Control Voltage (Vc)	Nominal 1.65 Vdc, Range 0.0-3.3 Vdc, Positive Transfer										
Aging @ 25 °C	±3 ppm max first year										

All specifications subject to change without notice.

FULL SIZE 14 PIN DIP



PIN FUNCTION TABLE

Pin	Function
1	Control Voltage (Vc)
7	Case Ground
8	Output
14	Supply Voltage (Vdd)

NOTE : Waveforms & Test Circuits on pages 48, 49

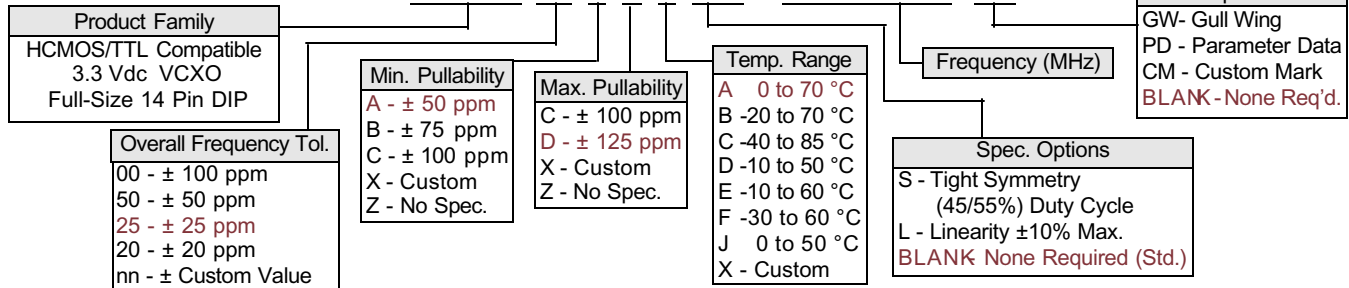
Standard Specifications for product indicated in color

Dimensions: $\frac{\text{Inches}}{\text{mm}}$

PART NUMBERING SYSTEM

MARKING: See Page 57, Format G

FMVC33 25 A D A S / L - XX.XXXXXXM - CM



15302 Bolsa Chica St., Huntington Beach, CA. 92649
 Tel: 714-892-3234 Fax: 714-890-1832
 E-mail: sales@frequencymanagement.com
 www.frequencymanagement.com

1-800-800-XTAL
 (9825)