



**DDR SDRAM Module 1024Mbyte (128Mx72bit), based on 64Mx8, 4Banks,
8K Ref., 184Pin-DIMM with PLL & Register**

Part No. HDD128M72D18RPW

GENERAL DESCRIPTION

The HDD128M72D18RPW is a 128M x 72 bit Double Data Rate(DDR) Synchronous Dynamic RAM high-density memory module. The module consists of eighteen CMOS 64M x 8 bit with 4banks DDR SDRAMs in 66pin TSOP-II 400mil packages and 2K EEPROM in 8-pin TSSOP package on a 184-pin glass-epoxy. Four 0.1uF decoupling capacitors are mounted on the printed circuit board in parallel for each DDR SDRAM. The HDD128M72D18RPW is a DIMM(Dual in line Memory Module) .Synchronous design allows precise cycle control with the use of system clock. Data I/O transactions are possible on both edges of DQS. Range of operating frequencies, programmable latencies and burst lengths allows the same device to be useful for a variety of high bandwidth, high performance mem ory system applications . All module components may be powered from a single 2.5V DC power supply and all inputs and outputs are SSTL_2 compatible.

FEATURES

- Part Identification

HDD128M72D18RPW – 13A : 133MHz (CL=2)

HDD128M72D18RPW – 13B : 133MHz (CL=2.5)

HDD128M72D18RPW – 16B : 166MHz (CL=2.5)

- 1024MB(64Mx72) Registered DDR DIMM based on 64Mx8 DDR SDRAM
- 2.5V ± 0.2V VDD and VDDQ power supply
- Auto & self refresh capability (8K Cycles / 64ms)
- All input and output are compatible with SSTL_2 interface
- Data(DQ), Data strobes and write masks latched on the rising and falling edges of the clock
- All Addresses and control inputs except Data(DQ), Data strobes and Data masks latched on the rising edges of the clock
- MRS cycle with address key programs
 - Latency (Access from column address) : 2, 2.5
 - Burst length : 2, 4, 8
 - Data scramble : Sequential & Interleave
- Data(DQ), Data strobes and write masks latched on the rising and falling edges of the clock
- All Addresses and control inputs except Data(DQ), Data strobes and Data masks latched on the rising edges of the clock
- The used device is 16M x 8bit x 4Banks DDR SDRAM

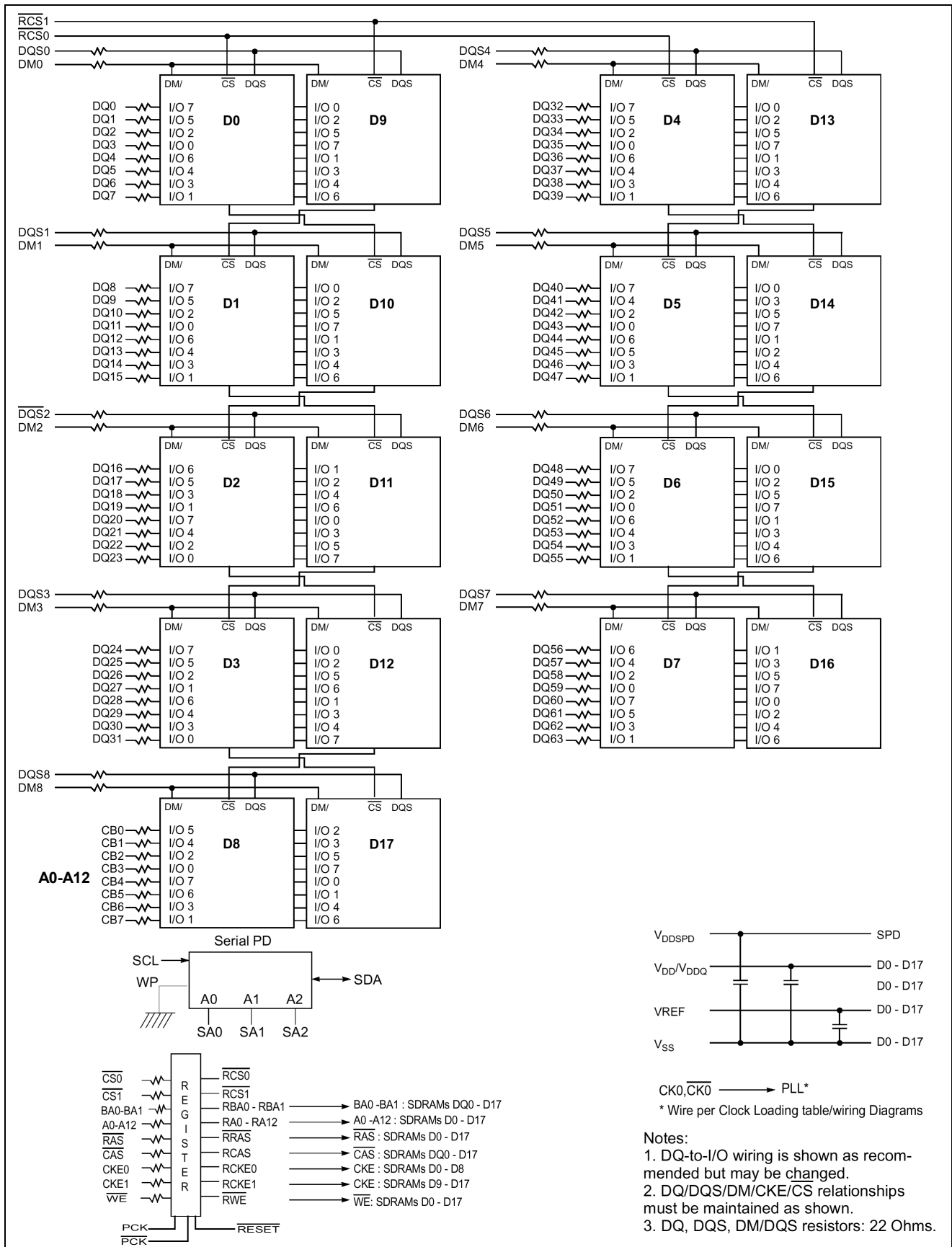
PIN ASSIGNMENT

PIN	Front	PIN	Back	PIN	Frontl	PIN	Back	PIN	Front	PIN	Back
1	VREF	32	A5	62	VDDQ	93	Vss	124	Vss	154	/RAS
2	DQ0	33	DQ24	63	/WE	94	DQ4	125	A6	155	DQ45
3	Vss	34	Vss	64	DQ41	95	DQ5	126	DQ28	156	VDDQ
4	DQ1	35	DQ25	65	/CAS	96	VDDQ	127	DQ29	157	/CS0
5	DQS0	36	DQS3	66	Vss	97	DM0	128	VDDQ	158	/CS1
6	DQ2	37	A4	67	DQS5	98	DQ6	129	DM3	159	DM5
7	VDD	38	VDD	68	DQ42	99	DQ7	130	A3	160	Vss
8	DQ3	39	DQ26	69	DQ43	100	Vss	131	DQ30	161	DQ46
9	NC	40	DQ27	70	VDD	101	NC	132	Vss	162	DQ47
10	/RESET	41	A2	71	* /CS2	102	NC	133	DQ31	163	* /CS3
11	Vss	42	Vss	72	DQ48	103	*A13	134	CB4	164	VDDQ
12	DQ8	43	A1	73	DQ49	104	VDDQ	135	CB5	165	DQ52
13	DQ9	44	CB0	74	Vss	105	DQ12	136	VDDQ	166	DQ53
14	DQS1	45	CB1	75	* CK2	106	DQ13	137	CK0	167	NC
15	VDDQ	46	VDD	76	* /CK2	107	DM1	138	/CK0	168	VDD
16	* CK1	47	DQS8	77	VDDQ	108	VDD	139	Vss	169	DM6
17	* /CK1	48	A0	78	DQS6	109	DQ14	140	DM8	170	DQ54
18	Vss	49	CB2	79	DQ50	110	DQ15	141	A10	171	DQ55
19	DQ10	50	Vss	80	DQ51	111	CKE1	142	CB6	172	VDDQ
20	DQ11	51	CB3	81	Vss	112	VDDQ	143	VDDQ	173	NC
21	CKE0	52	BA1	82	VDDID	113	* BA2	144	CB7	174	DQ60
22	VDDQ	KEY		83	DQ56	114	DQ20	KEY		175	DQ61
23	DQ16	53	DQ32	84	DQ57	115	A12	145	Vss	176	Vss
24	DQ17	54	VDDQ	85	VDD	116	Vss	146	DQ36	177	DM7
25	DQS2	55	DQ33	86	DQS7	117	DQ21	147	DQ37	178	DQ62
26	Vss	56	DQS4	87	DQ58	118	A11	148	VDD	179	DQ63
27	A9	57	DQ34	88	DQ59	119	DM2	149	DM4	180	VDDQ
28	DQ18	58	Vss	89	Vss	120	VDD	150	DQ38	181	SA0
29	A7	59	BA0	90	NC	121	DQ22	151	DQ39	182	SA1
30	VDDQ	60	DQ35	91	SDA	122	A8	152	Vss	183	SA2
31	DQ19	61	DQ40	92	SCL	123	DQ23	153	DQ44	184	VDDSPD

* : These pins are not used in this module.

PIN	PIN DESCRIPTION	PIN	PIN DESCRIPTION
A0~A12	Address input	VDD	Power supply(2.5V)
BA0~BA1	Bank Select Address	VDDQ	Power supply for DQs(2.5V)
DQ0~DQ63	Data input/output	VREF	Power supply for reference
CB0~CB7	Check Bit	VDDSPD	Serial EEPROM Power supply(3.3)
DQS0~DQS8	Data Strobe input/output	VSS	Ground
DM0~DM8	Data-in Mask	SA0~SA2	Address in EEPROM
CK0~/CK0	Clock input	SDA	Serial data I/O
CKE0~CKE1	Clock enable input	SCL	Serial clock
/CS0~/CS1	Chip Select input	VDDID	VDD identification flag
/RAS	Row Address strobe	NC	No connection
/CAS	Column Address strobe		

Functional Block Diagram



PIN FUNCTION DESCRIPTION

Pin	Name	Input Function
CK, /CK	Clock	CK and /CK are differential clock inputs. All address and control input signals are sampled on the positive edge of CK and negative edge of /CK. Output (read) data is referenced to both edges of CK. Internal clock signals are derived from CK/ /CK.
CKE	Clock Enable	CKE HIGH activates, and CKE LOW deactivates internal clock signals, and device input buffers and output drivers. Deactivating the clock provides PRECHARGE POWER-DOWN and SELF REFRESH operation (all banks idle), or ACTIVE POWER-DOWN(row ACTIVE in any bank). CKE is synchronous for all functions except for disabling outputs, which is achieved asynchronously. Input buffers, excluding CK, CK and CKE are disabled during power-down and self refresh modes, providing low standby power. CKE will recognizean LVCMOS LOW level prior to VREF being stable on power-up.
/CS0, /CS1	Chip Select	CS enables(registered LOW) and disables(registered HIGH) the command decoder. All commands are masked when CS is registered HIGH. CS provides for external bank selection on systems with multiple banks. CS is considered part of the command code.
A0 ~ A12	Address	Row/column addresses are multiplexed on the same pins. Row address : RA0 ~ RA12, Column address : CA0 ~ CA9, CA11
BA0 ~ BA1	Bank select address	BA0 and BA1 define to which bank an ACTIVE, READ, WRITE or PRE-CHARGE command is being applied.
/RAS	Row address strobe	Latches row addresses on the positive going edge of the CLK with /RAS low. Enables row access & precharge.
/CAS	Column address strobe	Latches column addresses on the positive going edge of the CLK with /CAS low. Enables column access.
/WE	Write enable	Enables write operation and row precharge. Latches data in starting from /CAS, /WE active.
DQS0 ~ 7	Data Strobe	Output with read data, input with write data. Edge-aligned with read data, cen-tered in write data. Used to capture write data.
DM0~7	Input Data Mask	DM is an input mask signal for write data. Input data is masked when DM is sampled HIGH along with that input data during a WRITE access. DM is sampled on both edges of DQS. DM pins include dummy loading internally, to matches the DQ and DQS load-ing.
DQ0 ~ 63	Data input/output	Data inputs/outputs are multiplexed on the same pins.
VDDQ	Supply	DQ Power Supply : +2.5V ± 0.2V.
VDD	Supply	Power Supply : +2.5V ± 0.2V (device specific).
VSS	Supply	DQ Ground.
VREF	Supply	SSTL_2 reference voltage.
VSPD	Supply	Serial EEPROM Power Supply : 3.3v
VDDID		VDD identification Flag

Absolute Maximum Ratings

PARAMETER	SYMBOL	RATING	UNTE
Voltage on any pin relative to Vss	V _{IN} , V _{OUT}	-0.5 ~ 3.6	V
Voltage on V _{DD} supply relative to Vss	V _{DD}	-1.0 ~ 3.6	V
Voltage on V _{DDQ} supply relative to Vss	V _{DDQ}	-0.5 ~ 3.6	V
Storage temperature	T _{STG}	-55 ~ +150	°C
Power dissipation	P _D	1.5 * # of component	W
Short circuit current	I _{OS}	50	mA

Notes: Operation at above absolute maximum rating can adversely affect device reliability

DC operating conditions

(Recommended operating conditions (Voltage referenced to Vss = 0V, T_A = 0 to 70°C))

PARAMETER	SYMBOL	MIN	MAX	UNIT	NOTE
Supply Voltage	V _{DD}	2.3	2.7	V	
I/O Supply Voltage	V _{DDQ}	2.3	2.7	V	
I/O Reference Voltage	V _{REF}	0.49*VDDQ	0.51*VDDQ	V	1
I/O Termination Voltage(system)	V _{TT}	V _{REF} - 0.04	V _{REF} + 0.04	V	2
Input High Voltage	V _{IH} (DC)	V _{REF} + 0.15	V _{REF} + 0.3	V	
Input Low Voltage	V _{IL} (DC)	-0.3	V _{REF} - 0.15	V	
Input Voltage Level, CK and /CK inputs	V _{IN} (DC)	-0.3	V _{DDQ} + 0.3	V	
Input Differential Voltage, CK and /CK inputs	V _{ID} (DC)	0.3	V _{DDQ} + 0.6	V	
Input leakage current	I _{LI}	-2	2	uA	3
Output leakage current	I _{OZ}	-5	5	uA	
Output High current (Normal strength driver) ; V _{OUT} =V _{TT} + 0.84V	I _{OH}	-16.8		mA	
Output Low current (Normal strength driver) ; V _{OUT} =V _{TT} - 0.84V	I _{OL}	16.8		mA	
Output High current (Half strength driver) ; V _{OUT} =V _{TT} + 0.45V	I _{OH}	-9		mA	

Notes :

1. Includes ±25mV margin for DC offset on V_{REF}, and a combined total of ±50mV margin for all AC noise and DC offset on V_{REF}, bandwidth limited to 20MHz. The DRAM must accommodate DRAM current spikes on V_{REF} and internal DRAM noise coupled to V_{REF}, both of which may result in V_{REF} noise. V_{REF} should be de-coupled with an inductance of ≤ 3nH.
2. V_{TT} is not applied directly to the device. V_{TT} is a system supply for signal termination resistors, is expected to be set equal to V_{REF}, and must track variations in the DC level of V_{REF}
3. V_{ID} is the magnitude of the difference between the input level on CK and the input level on /CK.
4. These parameters should be tested at the pin on actual components and may be checked at either the pin or the pad in simulation. The AC and DC input specifications are relative to a V_{REF} envelop that has been bandwidth limited to 200MHZ.

Input / Output Capacitance

($V_{DD} = \text{min to max}$, $V_{DDQ} = 2.5V \text{ to } 2.7V$, $T_A = 25^\circ C$, $f = 100MHz$)

DESCRIPTION	SYMBOL	MIN	MAX	UNITS
Input capacitance(A0~A12, BA0~BA1, /RAS, /CAS,/WE)	C_{IN1}	9	11	pF
Input capacitance(CKE0,CKE1)	C_{IN2}	9	11	pF
Input capacitance(/CS0)	C_{IN3}	9	11	pF
Input capacitance(CK0~CK2, /CK0~/CK2)	C_{IN4}	11	12	pF
Input capacitance(DM0~DM7)	C_{IN5}	14	16	pF
Data input/output capacitance (DQ0 ~ DQ63, DQS0~DQS7)	C_{OUT1}	14	16	pF
Data input/output capacitance (CB0~CB7)	C_{OUT2}	14	16	pF

DC Characteristics

($V_{DD} = 2.7V$, $T = 10^\circ C$)

Symbol	-16B (DDR333@CL=2.5)	-13A (DDR266@CL=2.0)	-13B (DDR266@CL=2.5)	Unit	Notes
IDD0	2230	2010	2010	mA	
IDD1	2500	2280	2280	mA	
IDD2P	590	540	540	mA	
IDD2F	1420	1290	1290	mA	
IDD2Q	950	900	900	mA	
IDD3P	1040	990	990	mA	
IDD3N	1690	1560	1560	mA	
IDD4R	2540	2280	2280	mA	
IDD4W	2630	2330	2330	mA	
IDD5	3130	2910	2910	mA	
IDD6	Normal	590	540	mA	
	Low Power	560	510	mA	Optional
IDD7A	4520	4080	4080	mA	

Notes: Module IDD was calculated on the basis of component IDD and can be differently measured according to DQ loading cap.

AC Operating Conditions

PARAMETER	STMBOL	MIN	MAX	UNIT	NOTE
Input High (Logic 1) Voltage, DQ, DQS and DM signals	$V_{IH}(AC)$	$V_{REF} + 0.35$			
Input Low (Logic 0) Voltage, DQ, DQS and DM signals.	$V_{IL}(AC)$		$V_{REF} - 0.31$	V	
Input Differential Voltage, CK and CK inputs	$V_{ID}(AC)$	0.7	$V_{DDQ} + 0.6$	V	1
Input Crossing Point Voltage, CK and CK inputs	$V_{IX}(AC)$	$0.5 * V_{DDQ} - 0.2$	$0.5 * V_{DDQ} + 0.2$	V	2

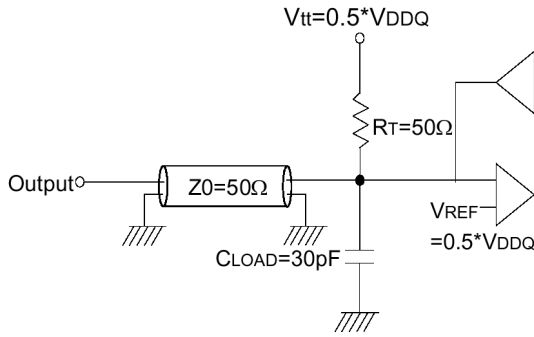
Notes:

1. V_{ID} is the magnitude of the difference between the input level on CK and the input on /CK.

The value of V_{IX} is expected to equal $0.5 * V_{DDQ}$ of the transmitting device and must track variations in the DC level of the same

3. These parameters should be tested at the pin on actual components and may be checked at either the pin or the pad in simulation.

the AC and DC input specifications are relative to a V_{ref} envelope that has been bandwidth limited 20MHz.



Output Load Circuit (SSTL_2)

AC characteristics

(THESE AC CHARACTERISTICS WERE TESTED ON THE COMPONENT)

PARAMETER	SYMBOL	DDR333@CL=2.5		DDR266A@CL=2.0		DDR266B@CL=2.5		UNIT	NOTE
		-16B		-13A		-13B			
		MIN	MAX	MIN	MAX	MIN	MAX		
Row cycle time	t_{RC}	60		65		65		ns	
Refresh row cycle time	t_{RFC}	72		75		75		ns	
Row active time	t_{RAS}	42	70K	45	120K	45	120K	ns	
/RAS to /CAS delay	t_{RCD}	18		20		20		ns	
Row precharge time	t_{RP}	18		20		20		ns	
Row active to Row active delay	t_{RRD}	12		15		15		ns	
Write recovery time	t_{WR}	15		15		15		t_{CK}	
Last data in to Read command	t_{WTR}	1		1		1		t_{CK}	
Col. address to Col. address delay	t_{CCD}	1		1		1		t_{CK}	
Clock cycle time	CL=2.0	7.5	12	7.5	12	10	12	ns	
	CL=2.5	6	12	7.5	12	7.5	12	ns	
Clock high level width	t_{CH}	0.45	0.55	0.45	0.55	0.45	0.55	t_{CK}	
Clock low level width	t_{CL}	0.45	0.55	0.45	0.55	0.45	0.55	t_{CK}	
DQS-out access time from CK/CK	t_{DQSK}	-0.6	+0.6	-0.75	+0.75	-0.75	+0.75	ns	
Output data access time from CK/CK	t_{AC}	-0.7	+0.7	-0.75	+0.75	-0.75	+0.75	ns	
Data strobe edge to output data edge	t_{DQSQ}	-	0.45	-	+0.5	-	+0.5	ns	12
Read Preamble	t_{RPRE}	0.9	1.1	0.9	1.1	0.9	1.1	t_{CK}	
Read Postamble	t_{RPST}	0.4	0.6	0.4	0.6	0.4	0.6	t_{CK}	
CK to valid DQS-in	t_{DQSS}	0.75	1.25	0.75	1.25	0.75	1.25	t_{CK}	
DQS-in setup time	t_{WPRES}	0		0		0		ns	3
DQS-in hold time	t_{WPREH}	0.25		0.25		0.25		t_{CK}	
DQS-in falling edge to CK rising-setup time	t_{DSS}	0.2		0.2		0.2		t_{CK}	
DQS-in falling edge to CK rising hold time	t_{DSH}	0.2		0.2		0.2		t_{CK}	
DQS-in high level width	t_{DQSH}	0.35		0.35		0.35		t_{CK}	
DQS-in low level width	t_{DQSL}	0.35		0.35		0.35		t_{CK}	
DQS-in cycle time	t_{DSC}	0.9		0.9	1.1	0.9	1.1	t_{CK}	
Address and Control Input setup time(Fast)	t_{IS}	0.75		0.9		0.9		ns	i,5.7~9
Address and Control Input hold time(Fast)	t_{IH}	0.75		0.9		0.9		ns	i,5.7~9
Address and Control Input setup time(Slow)	t_{IS}	0.8		1.0		1.0		ns	i, 6~9

Address and Control Input hold time(Slow)	t_{IH}	0.8		1.0		1.0		ns	i, 6~9
Data-out high impedance time from CK/CK	t_{HZ}	-0.7	+0.7	-0.75	+0.75	-0.75	+0.75	ns	1
Data-out low impedance time from CK/CK	t_{LZ}	-0.7	+0.7	-0.75	+0.75	-0.75	+0.75	ns	1
Input Slew Rate(for input only pins)	$t_{SL(IO)}$	0.5		0.5		0.5		ns	
Input Slew Rate(for I/O pins)	$t_{SL(O)}$	0.5		0.5		0.5		t_{CK}	
Output Slew Rate(x4,x8)	$t_{SL(O)}$	1.0	4.5	1.0	4.5	1.0	4.5	t_{CK}	
Output Slew Rate(x16)	$t_{SL(O)}$	0.7	5	0.7	5	0.7	5		
Output Slew Rate Matching Ratio(rise to fall)	t_{SLMR}	0.67	1.5	0.67	1.5	0.67	1.5		
Mode register set cycle time	t_{MRD}	12		15		15		ns	
DQ & DM setup time to DQS	t_{DS}	0.45		0.5		0.5		ns	j, k
DQ & DM hold time to DQS	t_{DH}	0.45		0.5		0.5		ns	j, k
Control & Address input pulse width	t_{IPW}	2.2		2.2		2.2		ns	8
DQ & DM input pulse width	t_{DIPW}	1.75		1.75		1.75		ns	8
Power down exit time	t_{PDEX}	6		7.5		7.5		ns	
Exit self refresh to non-Read command	t_{XSNR}	75		75		75		ns	
Exit self refresh to read command	t_{XSRD}	200		200		200		t_{CK}	
Refresh interval time	t_{REFI}	7.8		7.8		7.8		ns	4
Output DQS valid window	t_{QH}	t_{HP} - t_{QHS}	-	t_{HP} - t_{QHS}	-	t_{HP} - t_{QHS}	-	ns	11
Clock half period	t_{HP}	t_{CLmin} or t_{CHmin}	-	t_{CLmin} or t_{CHmin}	-	t_{CLmin} or t_{CHmin}	-	ns	10,11
Data hold skew factor	t_{QHS}		0.55		0.75		0.75	ns	11
DQS write postamble time	t_{WPST}	0.4	0.6	0.4	0.6	0.4	0.6	t_{CK}	2
Active to Read with Auto precharge command	t_{RAP}		18		20		20		
Autoprecharge write recovery + Precharge time	t_{DAL}	$(t_{WR}/t_{CK})+$ (t_{RP}/t_{CK})		$(t_{WR}/t_{CK})+$ (t_{RP}/t_{CK})		$(t_{WR}/t_{CK})+$ (t_{RP}/t_{CK})		t_{CK}	13

Notes :

Maximum burst refresh of 8.

t_{HZQ} transitions occurs in the same assess time windows as valid data transitions. These parameters are not referenced to a specific voltage level, but specify when the device output is no longer driving.

The specific requirement is that DQS be valid(High-Low) on or before this CK edge. The case shown(DQS going from High_Z to logic Low) applies when no writes were previously in progress on the bus. If a previous write was in progress, DQS could be High at this time, depending on t_{DQSS} .

The maximum limit for this parameter is not a device limit. The device will operate with a great value for this parameter, but system performance (bus turnaround) will degrade accordingly.

System Characteristics for DDR SDRAM

The following specification parameters are required in systems using DDR333, DDR266 devices to ensure proper system performance. these characteristics are for system simulation purposes and are guaranteed by design.

Table 1 : Input Slew Rate for DQ, DQS, and DM

AC CHARACTERISTICS		DDR333		DDR266			
PARAMETER	SYMBOL	MIN	MAX	MIN	MAX	Units	Notes
DQ/DM/DQS input slew rate measured between VIH(DC), VIL(DC) and VIL(DC), VIH(DC)	DCSLEW	TBD	TBD	TBD	TBD	V/ns	a, m

Table 2 : Input Setup & Hold Time Derating for Slew Rate

INPUT SLEW RATE	TIS	TIH	UNITS	NOTES
0.5 V/ns	0	0	ps	i
0.4 V/ns	+50	0	ps	i
0.3 V/ns	+100	0	ps	i

Table 3 : Input/Output Setup & Hold Time Derating for Slew Rate

INPUT SLEW RATE	TDS	TDH	UNITS	NOTES
0.5 V/ns	0	0	ps	k
0.4 V/ns	+75	+75	ps	k
0.3 V/ns	+150	+150	ps	k

Table 4 : Input/Output Setup & Hold Derating for Rise/Fall Delta Slew Rate

DELTA SLEW RATE	TDS	TDH	UNITS	NOTES
+/- 0.0 V/ns	0	0	ps	j
+/- 0.25 V/ns	+50	+50	ps	j
+/- 0.5 V/ns	+100	+100	ps	j

Table 5 : Output Slew Rate Characteristic (X4, X8 Devices only)

SLEW RATE CHARACTERISTIC	TYPICAL RANGE (V/NS)	MINIMUM (V/NS)	MAXIMUM (V/NS)	NOTES
Pullup Slew Rate	1.2 ~ 2.5	1.0	4.5	a,c,d,f,g,h
Pulldown slew	1.2 ~ 2.5	1.0	4.5	b,c,d,f,g,h

Table 6 : Output Slew Rate Characteristic (X16 Devices only)

SLEW RATE CHARACTERISTIC	TYPICAL RANGE (V/NS)	MINIMUM (V/NS)	MAXIMUM (V/NS)	NOTES
Pullup Slew Rate	1.2 ~ 2.5	0.7	5.0	a,c,d,f,g,h
Pulldown slew	1.2 ~ 2.5	0.7	5.0	b,c,d,f,g,h

Table 7 : Output Slew Rate Matching Ratio Characteristics

AC CHARACTERISTICS	DDR333		DDR266		
PARAMETER	MIN	MAX	MIN	MAX	Notes
Output Slew Rate Matching Ratio (Pullup to Pulldown)	TBD	TBD	TBD	TBD	e,m

Component Notes

1. tHZ and tLZ transitions occur in the same access time windows as valid data transitions. these parameters are not referenced to a specific voltage level but specify when the device output is no longer driving (HZ), or begins driving (LZ).
2. The maximum limit for this parameter is not a device limit. The device will operate with a greater value for this parameter, but system performance (bus turnaround) will degrade accordingly.
3. The specific requirement is that DQS be valid (HIGH, LOW, or at some point on a valid transition) on or before this CK edge. A valid transition is defined as monotonic and meeting the input slew rate specifications of the device. when no writes were previously in progress on the bus, DQS will be transitioning from High- Z to logic LOW. If a previous write was in progress, DQS could be HIGH, LOW, or transitioning from HIGH to LOW at this time, depending on tDQSS.
4. A maximum of eight AUTO REFRESH commands can be posted to any given DDR SDRAM device.
5. For command/address input slew rate ≥ 1.0 V/ns
6. For command/address input slew rate ≥ 0.5 V/ns and < 1.0 V/ns
7. For CK & CK slew rate ≥ 1.0 V/ns
8. These parameters guarantee device timing, but they are not necessarily tested on each device. They may be guaranteed by device design or tester correlation.
9. Slew Rate is measured between VOH(ac) and VOL(ac).
10. Min (tCL, tCH) refers to the smaller of the actual clock low time and the actual clock high time as provided to the device (i.e. this value can be greater than the minimum specification limits for tCL and tCH)....For example, tCL and tCH are = 50% of the period, less the half period jitter (tJIT(HP)) of the clock source, and less the half period jitter due to crosstalk (tJIT(crosstalk)) into the clock traces.
11. tQH = tHP - tQHS, where:
 tHP = minimum half clock period for any given cycle and is defined by clock high or clock low (tCH, tCL). tQHS accounts for 1) The pulse duration distortion of on-chip clock circuits; and 2) The worst case push-out of DQS on one transition followed by the worst case pull-in of DQ on the next transition, both of which are, separately, due to data pin skew and output pattern effects, and p-channel to n-channel variation of the output drivers.
12. tDQSQ
 Consists of data pin skew and output pattern effects, and p-channel to n-channel variation of the output drivers for any given cycle.
13. tDAL = (tWR/tCK) + (tRP/tCK)
 For each of the terms above, if not already an integer, round to the next highest integer. Example: For DDR266B at CL=2.5 and tCK=7.5ns tDAL = (15 ns / 7.5 ns) + (20 ns / 7.5ns) = (2) + (3)
 tDAL = 5 clocks

System Notes :

a. Pullup slew rate is characterized under the test conditions as shown in Figure 1.

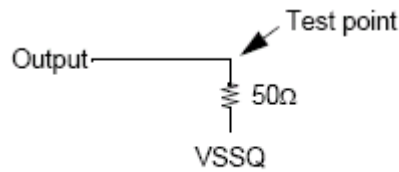


Figure 1 : Pullup slew rate test load

b. Pulldown slew rate is measured under the test conditions shown in Figure 2.

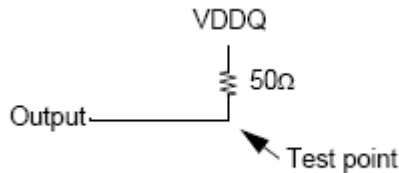


Figure 2 : Pulldown slew rate test load

c. Pullup slew rate is measured between (VDDQ/2 - 320 mV +/- 250 mV)

Pulldown slew rate is measured between (VDDQ/2 + 320 mV +/- 250 mV)

Pullup and Pulldown slew rate conditions are to be met for any pattern of data, including all outputs switching and only one output switching.

Example : For typical slew rate, DQ0 is switching

For minimum slew rate, all DQ bits are switching from either high to low, or low to high.

The remaining DQ bits remain the same as for previous state.

d. Evaluation conditions

Typical : 25 °C (T Ambient), VDDQ = 2.5V, typical process

Minimum : 70 °C (T Ambient), VDDQ = 2.3V, slow - slow process

Maximum : 0 °C (T Ambient), VDDQ = 2.7V, fast - fast process

e. The ratio of pullup slew rate to pulldown slew rate is specified for the same temperature and voltage, over the entire temperature and voltage range. For a given output, it represents the maximum difference between pullup and pulldown drivers due to process variation.

f. Verified under typical conditions for qualification purposes.

g. TSOP11 package devices only.

h. Only intended for operation up to 266 Mbps per pin.

i. A derating factor will be used to increase tIS and tIH in the case where the input slew rate is below 0.5V/ns as shown in Table 2. The Input slew rate is based on the lesser of the slew rates determined by either VIH(AC) to VIL(AC) or VIH(DC) to VIL(DC), similarly for rising transitions.

j. A derating factor will be used to increase tDS and tDH in the case where DQ, DM, and DQS slew rates differ, as shown in Tables 3 & 4. Input slew rate is based on the larger of AC-AC delta rise, fall rate and DC-DC delta rise, Input slew rate is based on the lesser of the slew rates determined by either VIH(AC) to VIL(AC) or VIH(DC) to VIL(DC), similarly for rising transitions.

The delta rise/fall rate is calculated as: $\{1/(\text{Slew Rate1})\} - \{1/(\text{Slew Rate2})\}$

For example : If Slew Rate 1 is 0.5 V/ns and slew Rate 2 is 0.4 V/ns, then the delta rise, fall rate is - 0.5ns/V . Using the table given, this would result in the need for an increase in tDS and tDH of 100 ps.

k. Table 3 is used to increase tDS and tDH in the case where the I/O slew rate is below 0.5 V/ns. The I/O slew rate is based on the lesser on the lesser of the AC - AC slew rate and the DC- DC slew rate. The input slew rate is based on the lesser of the slew rates determined by either VIH(ac) to VIL(ac) or VIH(DC) to VIL(DC), and similarly for rising transitions.

m. DQS, DM, and DQ input slew rate is specified to prevent double clocking of data and preserve setup and hold times. Signal transitions through the DC region must be monotony.

SIMPLIFIED TRUTH TABLE

COMMAND		CKE n-1	CKE n	/CS	/R A S	/C A S	/WE	DM	BA 0,1	A10/ AP	A11,A12 A9~A0	NOTE						
Register	Extended MRS	H	X	L	L	L	L	X	OP code			1,2						
Register	Mode register set	H	X	L	L	L	L	X	OP code			1,2						
Refresh	Auto refresh		H	H	L	L	L	H	X	X		3						
	Self refresh	Entry		L								L	H	H	H	X	X	
		Exit	L	H	L	H	H	X	X		3							
			H								L							
Bank active & row addr.		H	X	L	L	H	H	X	V	Row address								
Read & column address	Auto precharge disable		H	X	L	H	L	H	X	V	L	Column Address	4					
	Auto precharge enable									H	H		4					
Write & column address	Auto precharge disable		H	X	L	H	L	H	X	V	L	Column Address	4					
	Auto precharge enable										L		H	4,6				
Burst Stop		H	X	L	H	H	L	X	X			7						
Precharge	Bank selection		H	X	L	L	H	L	X	V	L	X						
	All banks									X	H		5					
Clock suspend or active power down	Entry	H	L	H	X	X	X	X	X									
				L	V	V	V											
Precharge power down mode	Entry	H	L	H	X	X	X	X	X									
				L	H	H	H											
	Exit	L	H	H	X	X	X	X										
				L	V	V	V											
DM		H	X					V	X		8							
No operation command		H	X	H	X	X	X	X	X									
				L	H	H	H											

(V=Valid, X=Don't care, H=Logic high, L=Logic low)

Notes :

1. OP Code : Operand code

A0 ~ A11 & BA0 ~ BA1 : Program keys. (@ MRS)

2. MRS can be issued only at all banks precharge state.

A new command can be issued after 2 CLK cycles of MRS.

3. Auto refresh functions are as same as CBR refresh of DRAM.

The automatical precharge without row precharge command is meant by "Auto".

Auto/self refresh can be issued only at all banks precharge state.

4. BA0 ~ BA1 : Bank select addresses.

If both BA0 and BA1 are "Low" at read, write, row active and precharge, bank A is selected.

If both BA0 is "Low" and BA1 is "High" at read, write, row active and precharge, bank B is selected.

If both BA0 is "High" and BA1 is "Low" at read, write, row active and precharge, bank C is selected.

If both BA0 and BA1 are "High" at read, write, row active and precharge, bank D is selected.

If A10/AP is "High" at row precharge, BA0 and BA1 is ignored and all banks are selected.

5. During burst read or write with auto precharge, new read/write command can not be issued.

Another bank read/write command can be issued after the end of burst.

New row active of the associated bank can be issued at t_{RP} after the end of burst.

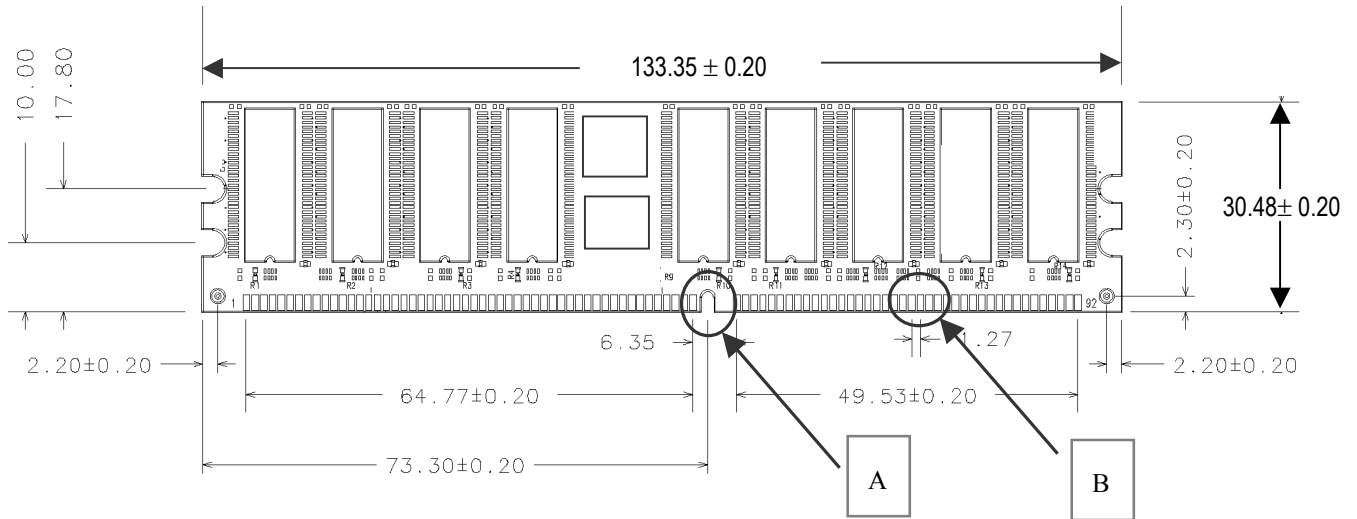
6. Burst stop command is valid at every burst length.

DM sampled at the rising and falling edges of the DQS and Data-in are masked at the both edges (Write DM latency is 0)

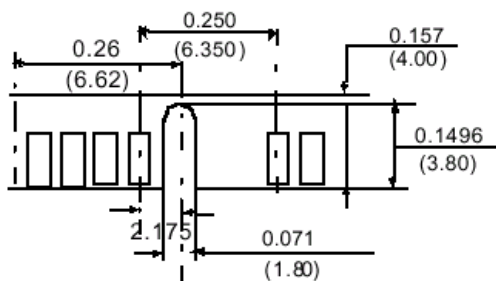
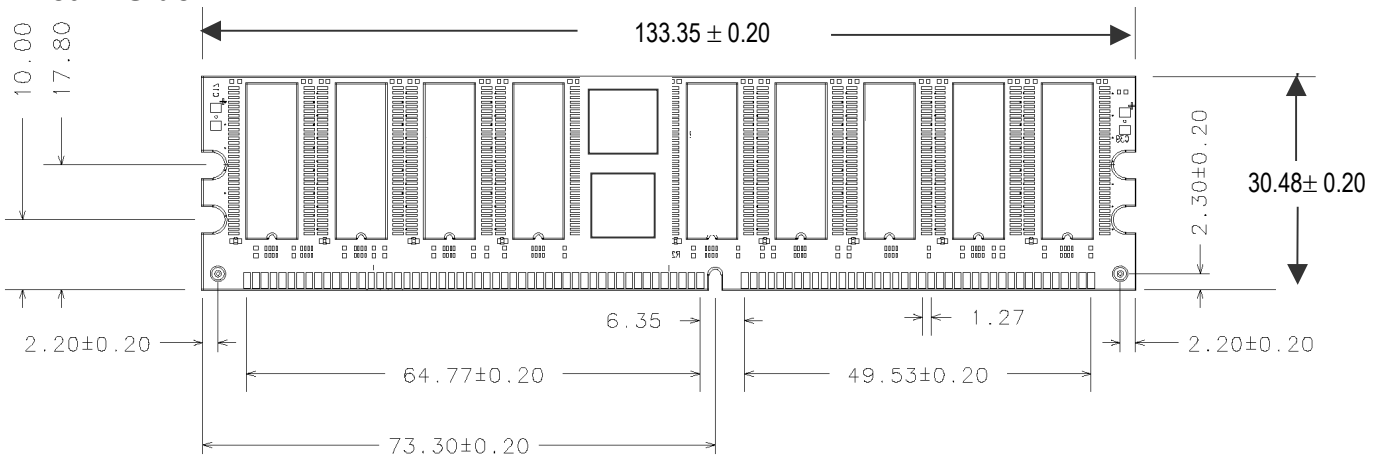
PACKAGING INFORMATION

Unit : mm

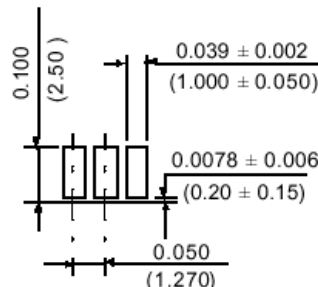
<Front-Side >



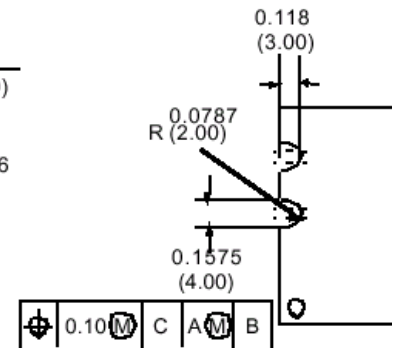
< Rear -Side >



Detail A



Detail B



*** PCB Thickness : 1.27 ± 0.08 mm

ORDERING INFORMATION

Part Number	Density	Org.	Package	Ref.	Vcc	MODE	MAX.frq
HDD128M72D18RPW-16B	1024MByte	128M x 72	184PIN DIMM	8K	2.5V	DDR Registered	166MHz/CL2 DDR333
HDD128M72D18RPW-13A	1024MByte	128M x 72	184PIN DIMM	8K	2.5V	DDR Registered	133MHz/CL2 DDR266
HDD128M72D18RPW-13B	1024MByte	128M x 72	184PIN DIMM	8K	2.5V	DDR Registered	133MHz/CL2.5 DDR266