

IA6850 Advanced Information Sheet

Asynchronous Communications Interface Adapter (ACIA)

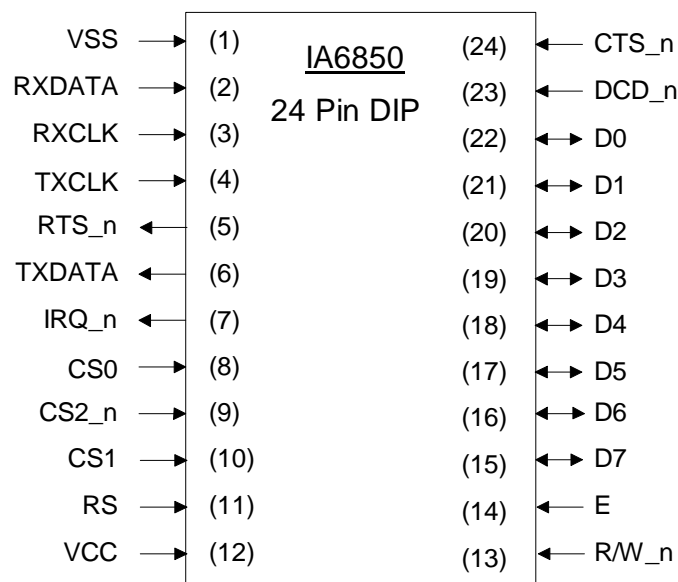
FEATURES

- Form, Fit, and Function Compatible with the Motorola[®] MC6850
- Packaging option available: 24 Pin Plastic DIP
- Programmable Word Length, Stop Bits, and Parity
- Error Detection
- Divide by 1, 16, or 64 operation
- TBD Equivalent gates.

The IA6850 uses **innovASIC**'s innovative new **f³ Program** to provide industry with parts that other vendors have declared obsolete. By specifying parts through this program a customer is assured of never having a component become obsolete again. This advanced information sheet assumes the original part has been designed in, and so provides a summary of capabilities only. For new designs contact **innovASIC** for more detailed information.

Motorola is a copyright trademark of Motorola, Inc.

Package Pinout



IA6850 Advanced Information Sheet

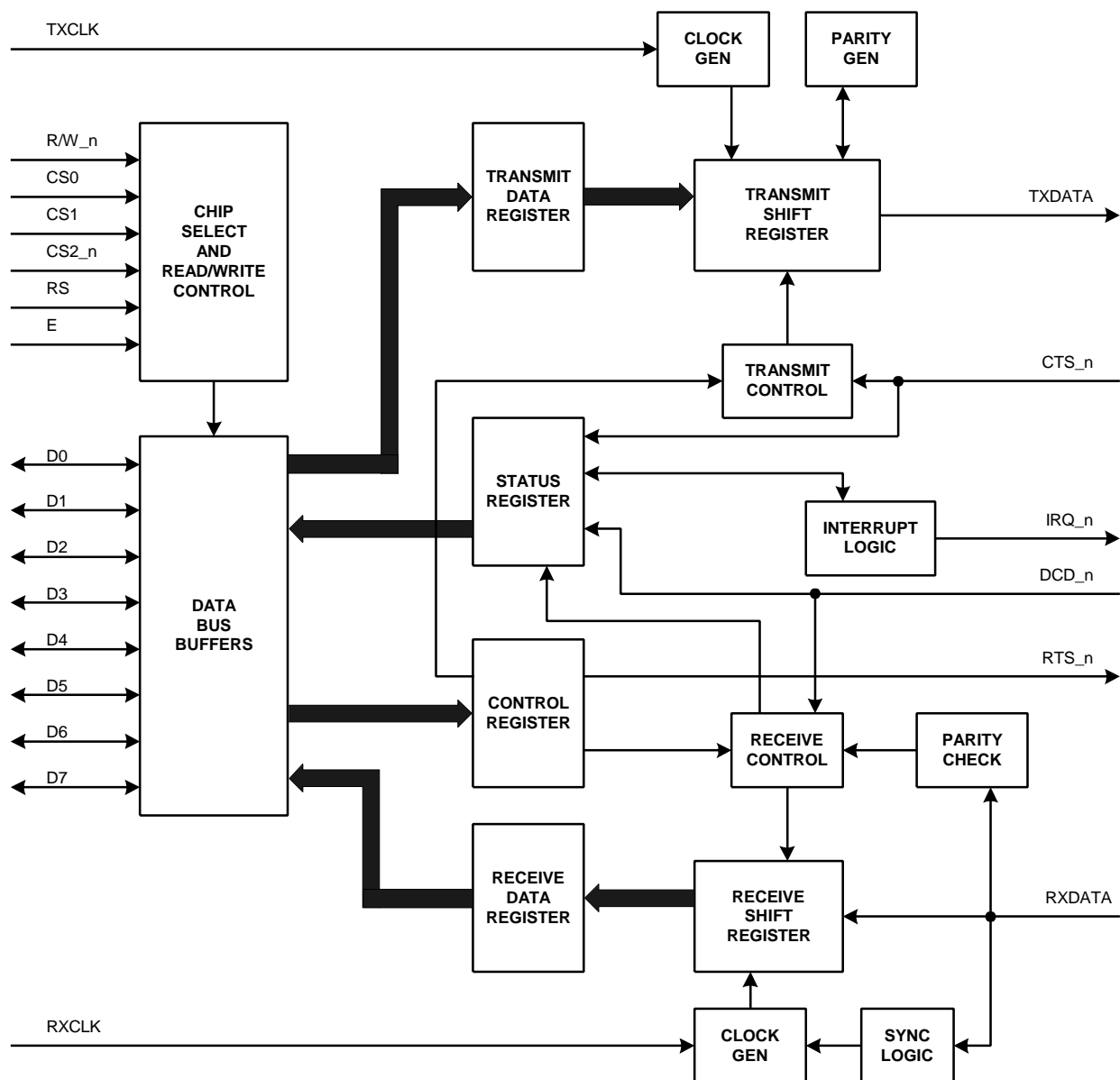
Asynchronous Communications Interface Adapter (ACIA)

The IA6850 is an ACIA megafunction used to interface a microprocessor to a serial communications channel, and is functionally equivalent to the Motorola MC6850. This function receives and transmits data in a variety of configurations including 7 or 8 bit data words, odd, even, or nor parity, and 1 or 2 stop bits.

A block diagram is shown in Figure 1.

Functional Block Diagram

Figure 1



IA6850 Advanced Information Sheet

Asynchronous Communications Interface Adapter (ACIA)

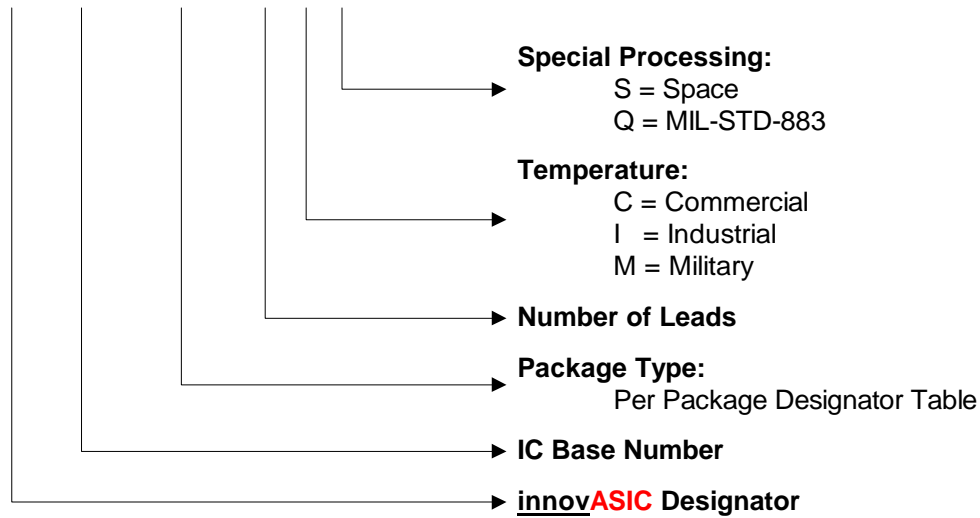
Qualification Levels

Table 1

Part Number	Environmental/ Qual Level
IA6850-PDW24C	Commercial
IA6850-PDW24I	Industrial

The following diagram depicts the **innovASIC** Product Identification Number.

IAXXXX-PPPPNNNT/SP



IA6850 Advanced Information Sheet

Asynchronous Communications Interface Adapter (ACIA)

Package Designator Table

Package Type	innovASIC Designator
Ceramic side brazed Dual In-line	CDB
Cerdip with window	CDW
Ceramic leaded chip carrier	CLC
Cerdip without window	CD
Ceramic leadless chip carrier	CLL
PLCC	PLC
Plastic DIP standard (300 mil)	PD
Plastic DIP standard (600 mil)	PDW
Plastic metric quad flat pack	PQF
Plastic thin quad flat pack	PTQ
Skinny Cerdip	CDS
Small outline plastic gull-wing(150 mil body)	PSO
Small outline medium plastic gull-wing (207 mil body)	PSM
Small outline narrow plastic gull wing (150 mil body)	PSN
Small outline wide plastic gull wing (300 mil body)	PSW
Skinny Plastic Dip	PDS
Shrink small outline plastic (5.3mm .208 body)	PS
Thin shrink small outline plastic	PTS
Small outline large plastic gull wing (330 mil body)	PSL
Thin small outline plastic gull-wing (8 x 20mm) [TSOP]	PST
PGA	CPGA
BGA	CBGA

Contact **innovASIC** for other package and processing options.