

### STANDARD RECOVERY DIODES

Stud Version

#### Features

- Diffused diode
- Wide current range
- High voltage ratings up to 1600V
- High surge current capabilities
- Stud cathode and stud anode version

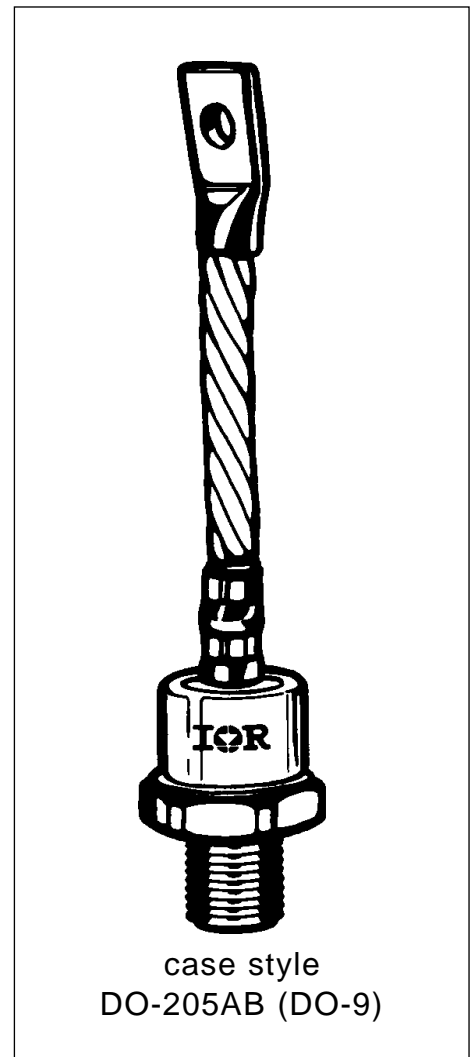
250A

#### Typical Applications

- Converters
- Power supplies
- Machine tool controls
- High power drives
- Medium traction applications

#### Major Ratings and Characteristics

Parameters	70/300U(R)..D	Units
$I_{F(AV)}$	250	A
@ $T_C$	145	°C
$I_{F(RMS)}$	390	A
$I_{FSM}$ @ 50Hz	6550	A
@ 60Hz	6850	A
$I^2t$ @ 50Hz	214	KA <sup>2</sup> s
@ 60Hz	195	KA <sup>2</sup> s
$V_{RRM}$ range	1200 to 1600	V
$T_J$	- 40 to 200	°C



# 70/300U(R)..D Series

## ELECTRICAL SPECIFICATIONS

### Voltage Ratings

Type number	Voltage Code	$V_{RRM}$ , maximum repetitive peak reverse voltage V	$V_{RSM}$ , maximum non-repetitive peak rev. voltage V	$I_{RRM}$ max. @ $T_J = T_J$ max. mA
70/300U(R)..D	120	1200	1300	60
	160	1600	1700	

### Forward Conduction

Parameter	70/300U(R)..D	Units	Conditions
$I_{F(AV)}$ Max. average forward current @ Case temperature	250	A	180° conduction, half sine wave
	145	°C	
$I_{F(RMS)}$ Max. RMS forward current	390	A	DC @ 134°C case temperature
$I_{FSM}$ Max. peak, one-cycle forward, non-repetitive surge current	6550	A	t = 10ms No voltage
	6850		t = 8.3ms reapplied
	5500		t = 10ms 100% $V_{RRM}$
	5750		t = 8.3ms reapplied
$I^2t$ Maximum $I^2t$ for fusing	214	KA <sup>2</sup> s	t = 10ms No voltage
	195		t = 8.3ms reapplied
	151		t = 10ms 100% $V_{RRM}$
	138		t = 8.3ms reapplied
$I^2\sqrt{t}$ Maximum $I^2\sqrt{t}$ for fusing	2140	KA <sup>2</sup> √s	t = 0.1 to 10ms, no voltage reapplied
$V_{F(TO)1}$ Low level value of threshold voltage	0.61	V	$(16.7\% \times \pi \times I_{F(AV)} < I < \pi \times I_{F(AV)})$ , $T_J = T_J$ max.
$V_{F(TO)2}$ High level value of threshold voltage	0.83		$(I > \pi \times I_{F(AV)})$ , $T_J = T_J$ max.
$r_{f1}$ Low level value of forward slope resistance	0.75	mΩ	$(16.7\% \times \pi \times I_{F(AV)} < I < \pi \times I_{F(AV)})$ , $T_J = T_J$ max.
$r_{f2}$ High level value of forward slope resistance	0.49		$(I > \pi \times I_{F(AV)})$ , $T_J = T_J$ max.
$V_{FM}$ Max. forward voltage drop	1.30	V	$I_{pk} = 785A$ , $T_J = 25^\circ C$ , $t_p = 10ms$ sinusoidal wave

## Thermal and Mechanical Specifications

Parameter	70/300U(R)..D	Units	Conditions
$T_J$ Max. junction operating temperature range	-40 to 200	°C	
$T_{stg}$ Max. storage temperature range	-40 to 200		
$R_{thJC}$ Max. thermal resistance, junction to case	0.18	K/W	DC operation
$R_{thCS}$ Max. thermal resistance, case to heatsink	0.08		Mounting surface, smooth, flat and greased
$T$ Max. allowed mounting torque +0 -20%	37	Nm	Not lubricated threads
	28		Lubricated threads
wt Approximate weight	250	g	
Case style	DO-205AB (DO-9)		See Outline Table

 $\Delta R_{thJC}$  Conduction

(The following table shows the increment of thermal resistance  $R_{thJC}$  when devices operate at different conduction angles than DC)

Conduction angle	Sinusoidal conduction	Rectangular conduction	Units	Conditions
180°	0.020	0.015	K/W	$T_J = T_J \text{ max.}$
120°	0.024	0.025		
90°	0.031	0.034		
60°	0.045	0.047		
30°	0.077	0.077		

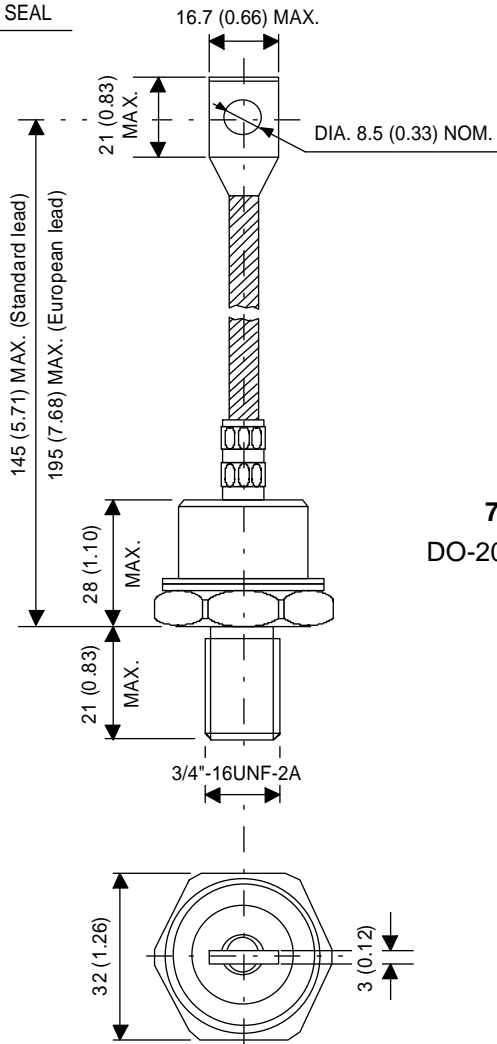
## Ordering Information Table

Device Code																			
<table border="1" style="margin: auto;"> <tr> <td style="text-align: center;">300</td> <td style="text-align: center;">U</td> <td style="text-align: center;">F</td> <td style="text-align: center;">R</td> <td style="text-align: center;">160</td> <td style="text-align: center;">A</td> <td style="text-align: center;">Y</td> <td style="text-align: center;">P</td> <td style="text-align: center;">D</td> </tr> <tr> <td style="text-align: center;">①</td> <td style="text-align: center;">②</td> <td style="text-align: center;">③</td> <td style="text-align: center;">④</td> <td style="text-align: center;">⑤</td> <td style="text-align: center;">⑥</td> <td style="text-align: center;">⑦</td> <td style="text-align: center;">⑧</td> <td style="text-align: center;">⑨</td> </tr> </table>	300	U	F	R	160	A	Y	P	D	①	②	③	④	⑤	⑥	⑦	⑧	⑨	<p><b>1</b> - 300 = Standard 300U device 70 = Standard 70U device 302 = 300U Top Threaded version 72 = 70U Top Threaded version</p> <p><b>2</b> - U = Essential Part Number</p> <p><b>3</b> - F = Flat Base (with Pinch Bolt) None = Normal Stud</p> <p><b>4</b> - R = Stud Reverse Polarity (Anode to Stud) None = Stud Normal Polarity (Cathode to Stud)</p> <p><b>5</b> - Voltage code: Code x 10 = <math>V_{RRM}</math> (See Voltage Ratings table)</p> <p><b>6</b> - A = Essential Part Number only for 300U Series None = 70U Series</p> <p><b>7</b> - Y = European Lead None = Standard Lead</p> <p><b>8</b> - P = Forward Selection (<math>1.045V &lt; V_{FM} &lt; 1.125V</math>, <math>I_{FM} = 470A</math>, <math>T_J = 25^\circ C</math>)</p> <p><b>9</b> - D = Diffused diode</p>
300	U	F	R	160	A	Y	P	D											
①	②	③	④	⑤	⑥	⑦	⑧	⑨											

# 70/300U(R)..D Series

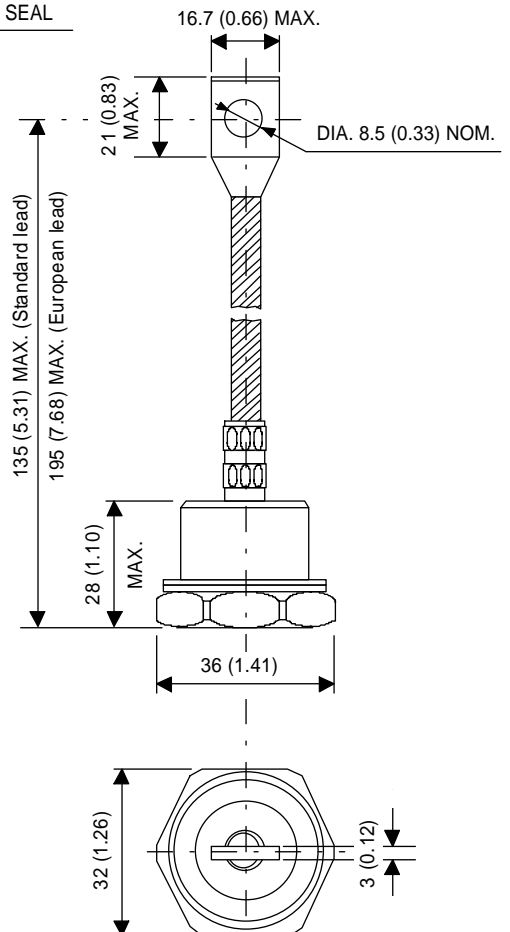
## Outline Table

GLASS-METAL SEAL



**70/300U**  
DO-205AB (DO-9)

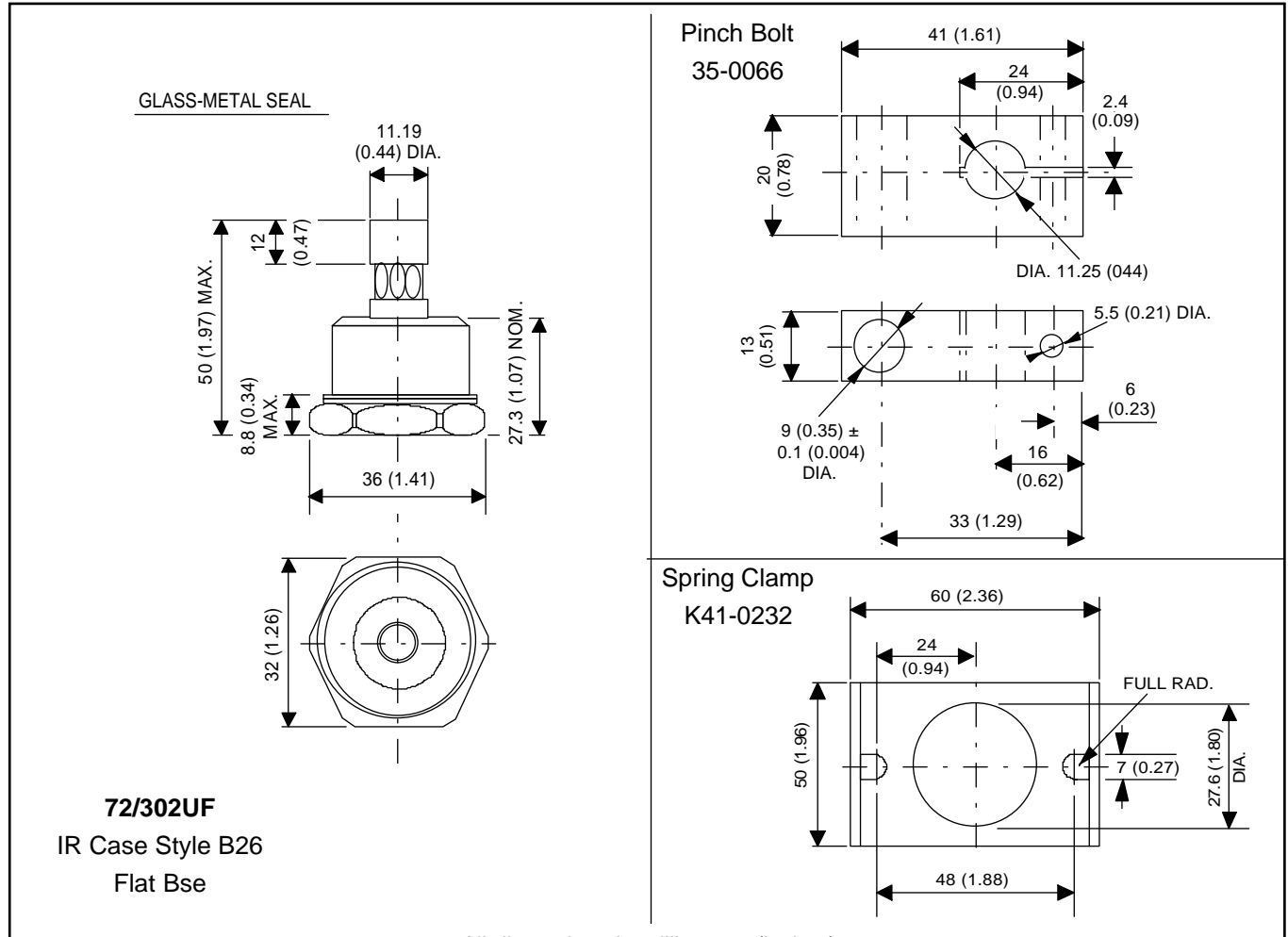
GLASS-METAL SEAL



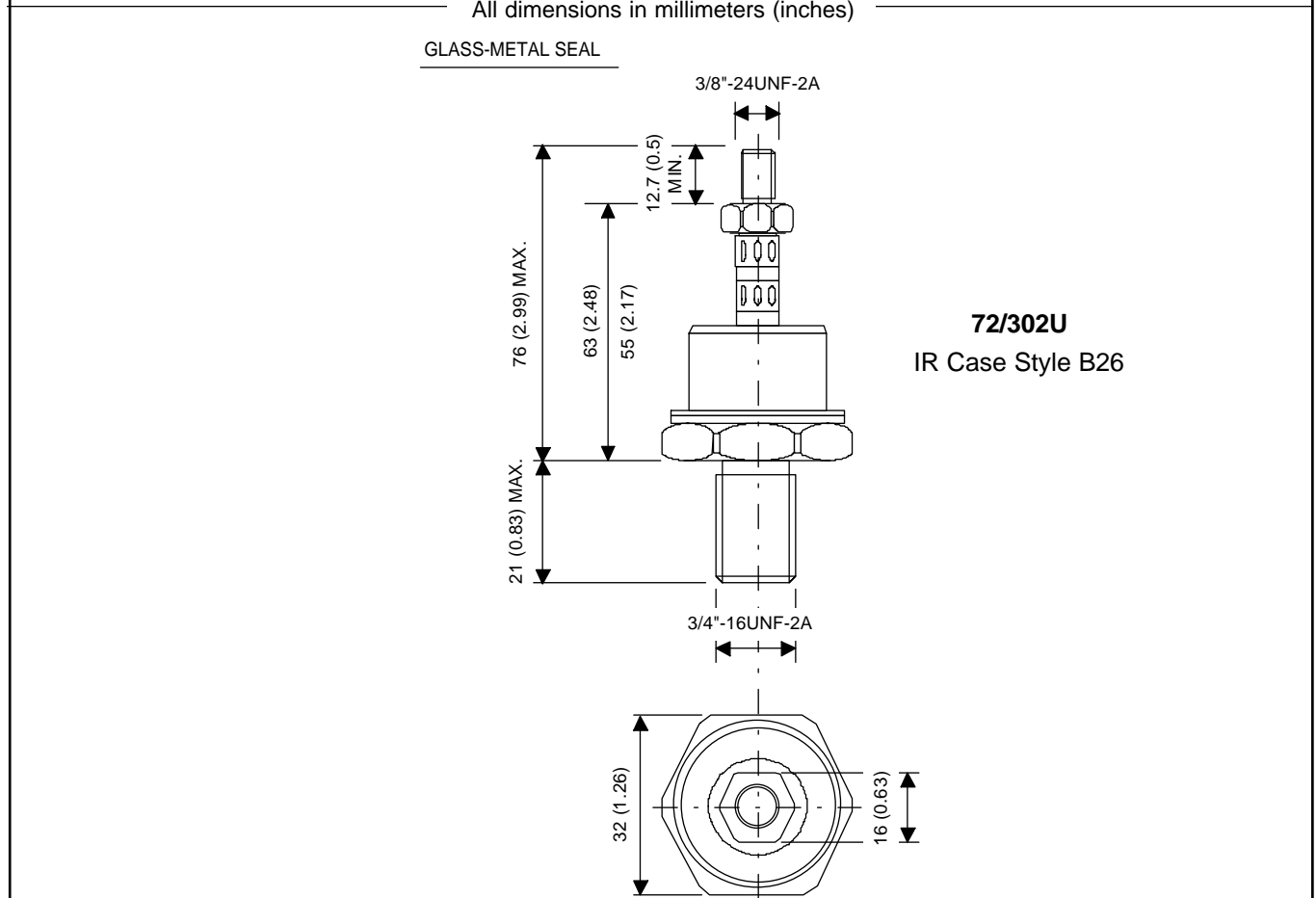
**70/300UF**  
DO-205AB (DO-9)  
Flat Base

All dimensions in millimeters (inches)

Outline Table



All dimensions in millimeters (inches)



# 70/300U(R)..D Series

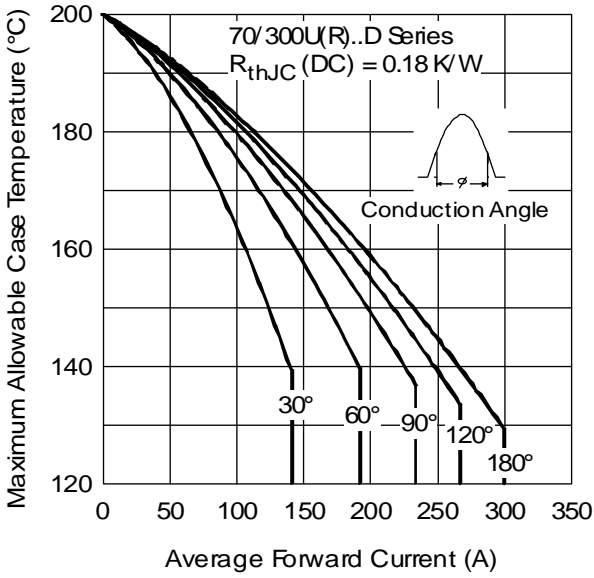


Fig. 1 - Current Ratings Characteristics

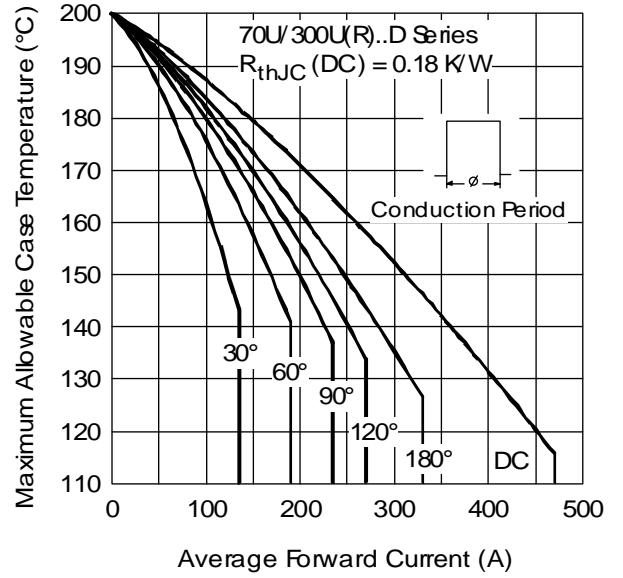


Fig. 2 - Current Ratings Characteristics

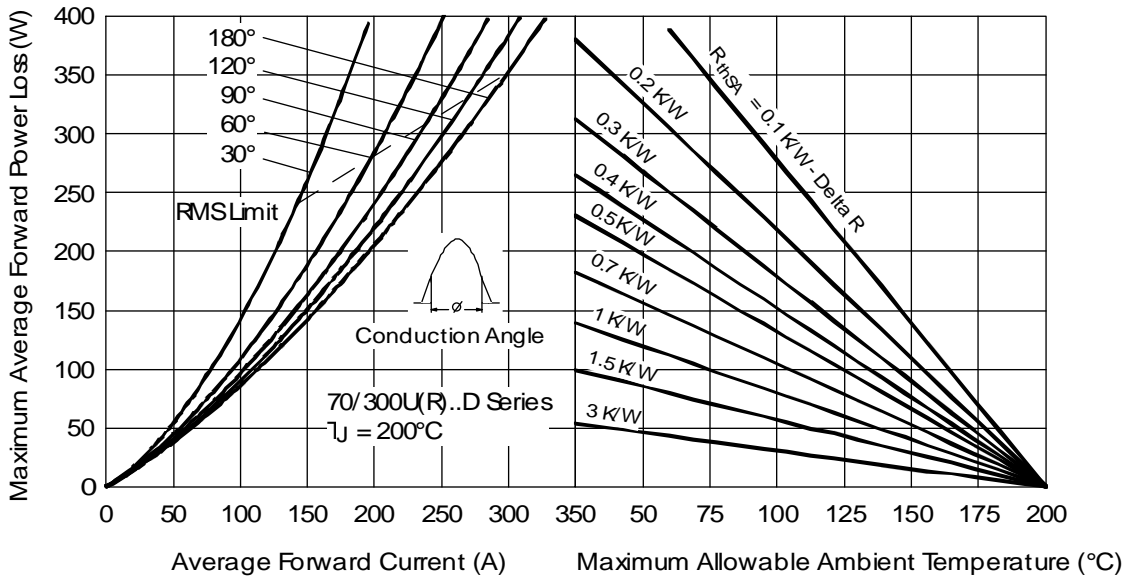


Fig. 3 - Forward Power Loss Characteristics

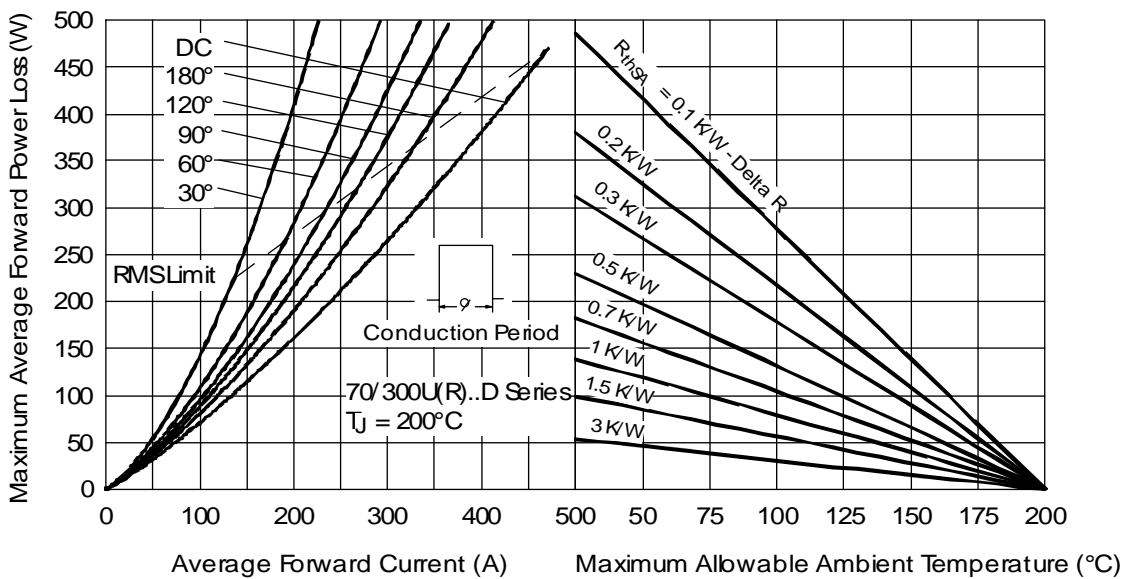


Fig. 4 - Forward Power Loss Characteristics

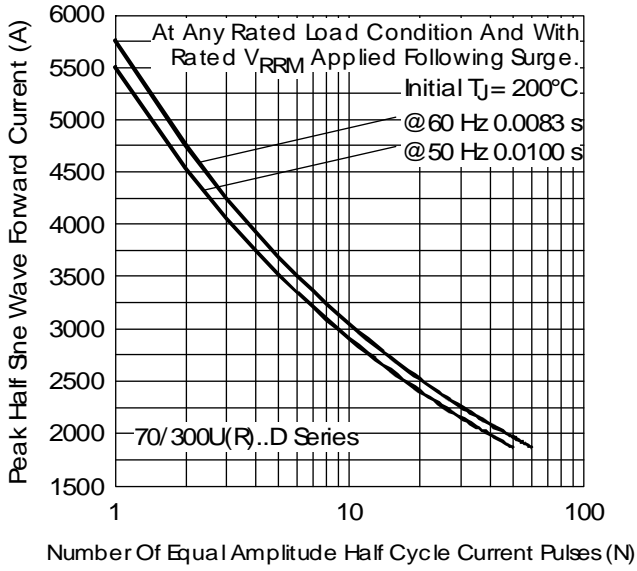


Fig. 5 - Maximum Non-Repetitive Surge Current

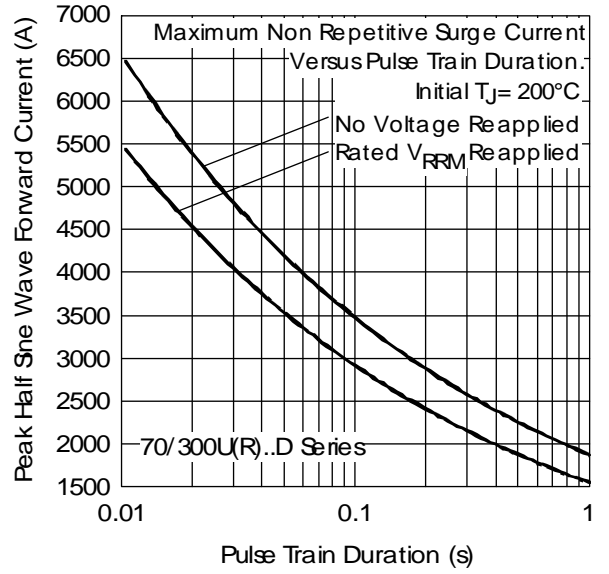


Fig. 6 - Maximum Non-Repetitive Surge Current

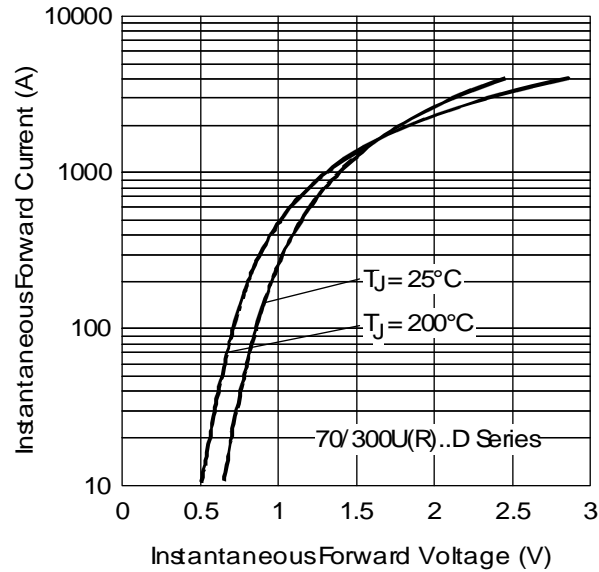


Fig. 7 - Forward Voltage Drop Characteristics

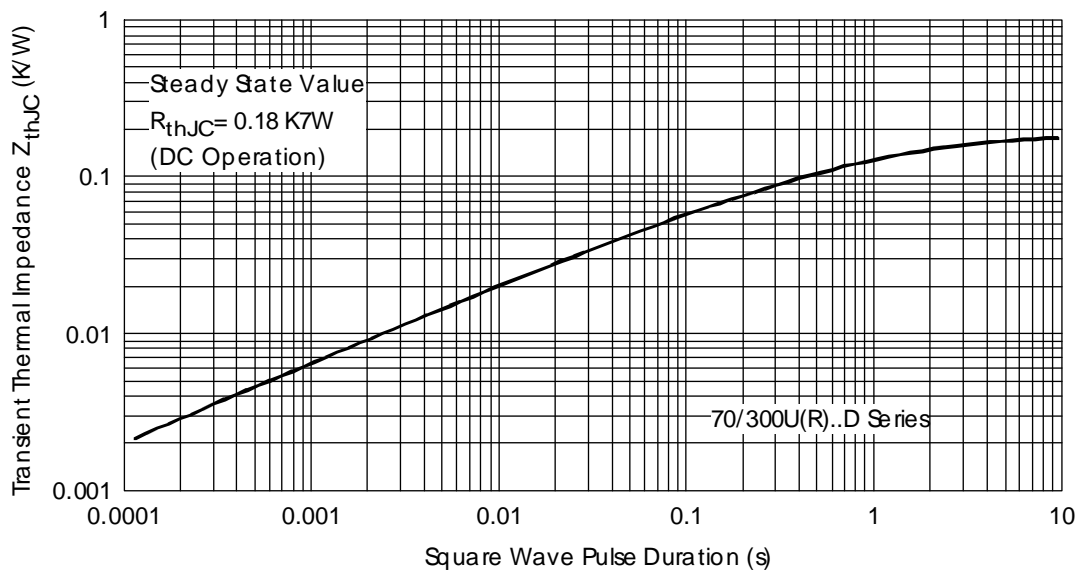


Fig. 8 - Thermal Impedance  $Z_{thJC}$  Characteristic