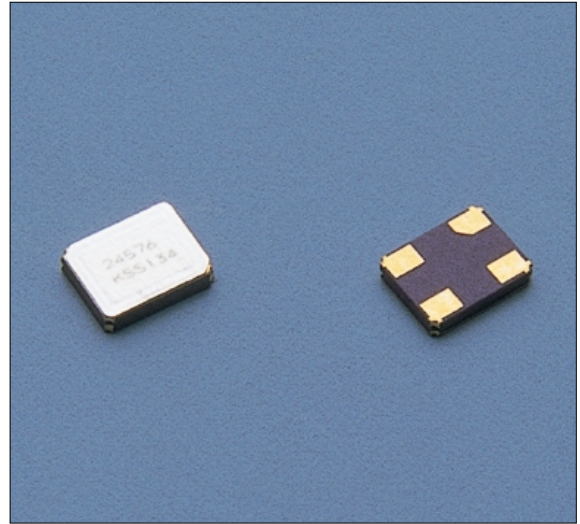


# CX-101F

## SMD

### Features

- Ultra-thin, thickness 0.75mm. (3.2×2.5×0.75mm)
- Because it is the leadless type, automatic mounting is possible.
- Excels even in an environment that requires reliability.
- Reflow is possible.



### Specifications

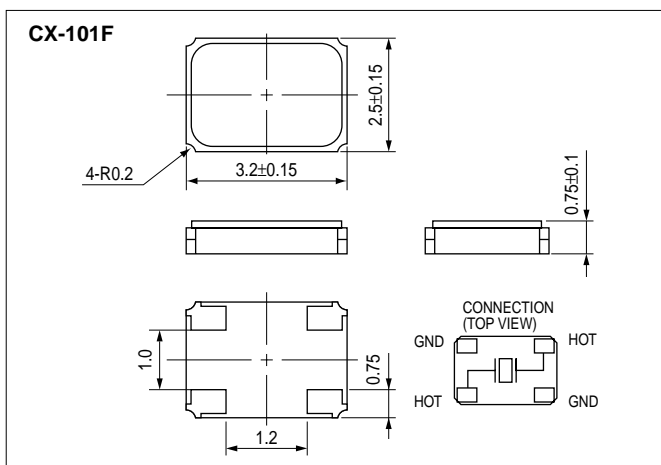
| Type                         |                            | CX-101F  |
|------------------------------|----------------------------|--|
| Frequency Range              |                            | 16~54MHz   |
| Standard Frequency           |                            | Table 1  |
| Operating Temp. Range        |                            | -10~+70°C  |
| Storage Temp. Range          |                            | -10~+70°C  |
| Frequency Tolerance          | at 25°C                    | ±15, ±20, ±30, ±50×10 <sup>-6</sup>                          |
|                              | Over The Oper. Temp. Range | ±15, ±20, ±30, ±50×10 <sup>-6</sup> (referred to 25°C)       |
| Load Capacitance             |                            | 12pF   |
| Equivalent Series Resistance |                            | 16~30MHz 100Ω<br>30~54MHz 50Ω                                |
| Shunt Capacitance            |                            | 7pF MAX.   |
| Drive Level                  |                            | 0.1mW MAX.   |
| Shock                        |                            | Three drops onto a hard wood board from the height of 20cm   |
| Vibration                    |                            | 10~55Hz, amplitude 1.5mm, each to 3 directions, 2 hours each |

Table 1  
Standard Frequencies

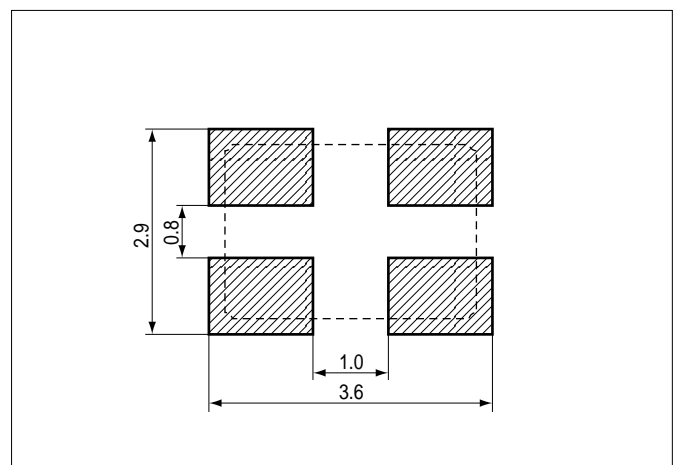
| Standard Frequency (MHz) |
|--------------------------|
| 20.000                   |
| 22.57954                 |
| 24.576                   |
| 27.000                   |
| 32.000                   |
| 45.1584                  |
| 48.000                   |

\*Taping item packaging : one unit 1,000 pcs or 3,000 pcs

### Outline



### Land Pattern(reference)



Dimensions(mm)