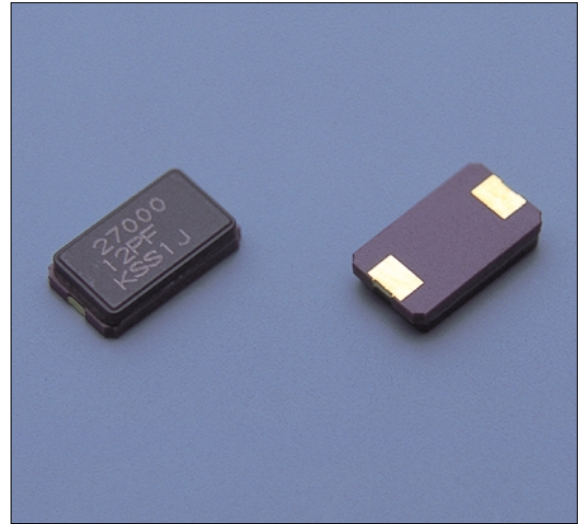


# CX-8045G (CX-11F)

## SMD

### ■Features

- Compact, thin. (8.0×4.5×1.8mm)
- For self-loading.
- Ceramic package leadless type.
- Emboss taping.
- Reflow soldering.
- The oscillation circuit can obtain sufficient output at the inverter stage.



### ■Specifications

Type		CX-8045G
Frequency Range		8~70MHz
Standard Frequency		Table 1
Overtone Order		8~47MHz : Fundamental 40~70MHz : 3rd. O.T.
Operating Temp. Range		-10~+70°C
Storage Temp. Range		-40~+85°C
Frequency Tolerance	at 25°C	±15, ±30, ±50×10 <sup>-6</sup>
	Over The Oper. Temp. Range	±15, ±30, ±50×10 <sup>-6</sup> (referred to 25°C)
Load Capacitance		12pF
Equivalent Series Resistance		8~10MHz (Fund.) 200Ω MAX. 10~12MHz (Fund.) 150Ω MAX. 12~47MHz (Fund.) 50Ω MAX. 40~70MHz (3rd.) 150Ω MAX.
Shunt Capacitance		7pF MAX.
Drive Level		8~16MHz:0.5mW MAX. 16~24MHz:0.3mW MAX. 24~47MHz:0.1mW MAX. 3rd. O.T. :0.3mW MAX.
Shock		Three drops onto a hard wood board from the height of 20cm
Vibration		10~55Hz, amplitude 1.5mm, each to 3 directions, 2 hours each

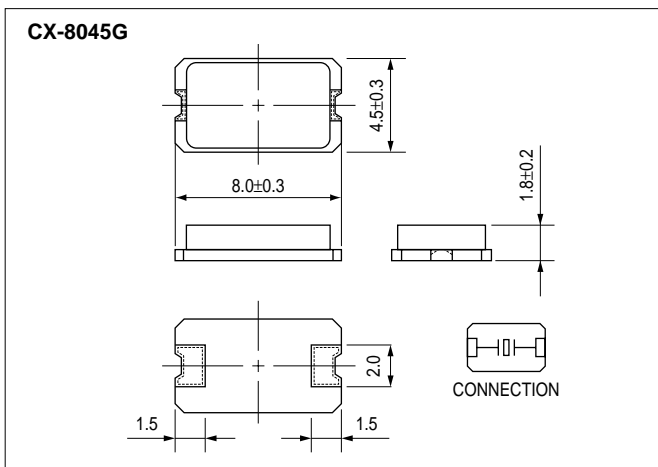
\*Taping item packaging : one unit 1,000pcs & 3,000pcs

■Table 1  
Standard Frequencies

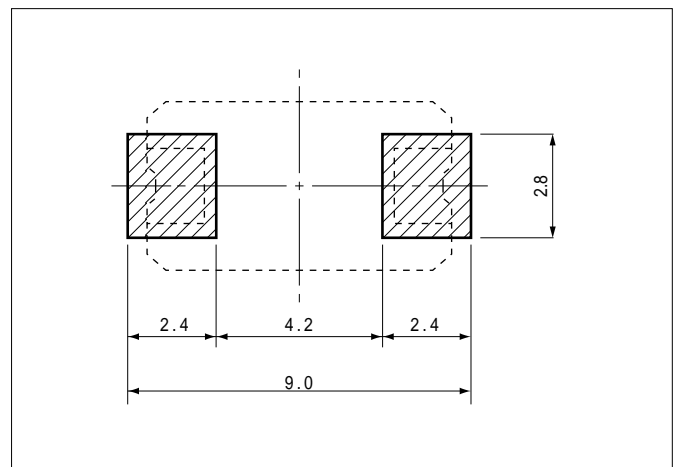
Standard Frequency (MHz)	
14.31818	27.000
16.000	28.63636
16.384	30.000
16.9344	32.000
19.6608	33.8688
20.000	36.000
21.47727	40.000
24.000	45.1584
24.576	

\* Please inquire about frequencies other than the above.

### ■Outline



### ■Land Pattern(reference)



Dimensions(mm)