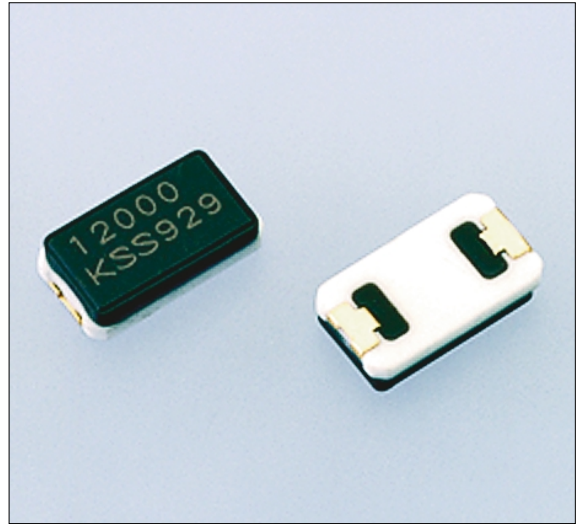


# CX-17F

## SMD

### ■Features

- For ECU.
- Compact, thin (size : 8×4.5×1.9mm).
- Ceramic package, J lead type.
- For self-loading.
- Reflow soldering.
- Excels even in a resistance to heat.



### ■Specifications

Type	CX-17F	
Frequency Range	8~25MHz	
Standard Frequency	Table 1	
Operating Temp. Range	-40~+125°C	
Storage Temp. Range	-40~+150°C	
Frequency Tolerance	at 25°C	±100 ×10 <sup>-6</sup> ~
	Over The Oper. Temp. Range	±200×10 <sup>-6</sup> ~ (referred to 25°C)
Load Capacitance	12pF	
Equivalent Series Resistance	8~ 9.99MHz	200Ω MAX
	10~11.99MHz	150Ω MAX
	12~25MHz	100Ω MAX
Shock	Ten drops onto a hard wood board from the height of 100cm	
Vibration	10~55Hz, amplitude 1.5mm, each to 3 directions, 6 hours each	

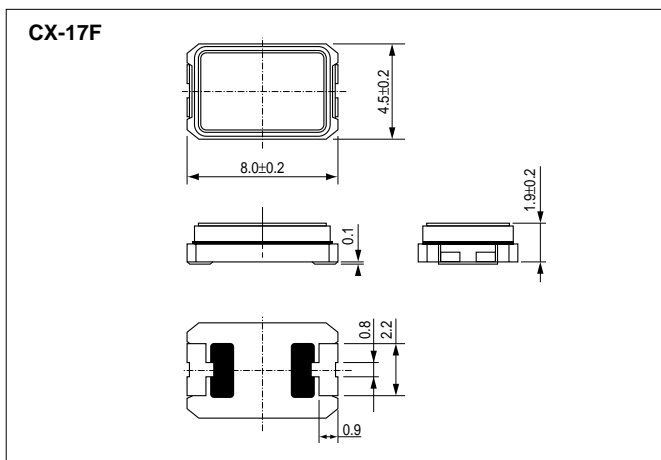
■Table 1  
Standard Frequencies

Frequency (MHz)
8.000
10.000
12.000
16.000
18.000
20.000
25.000

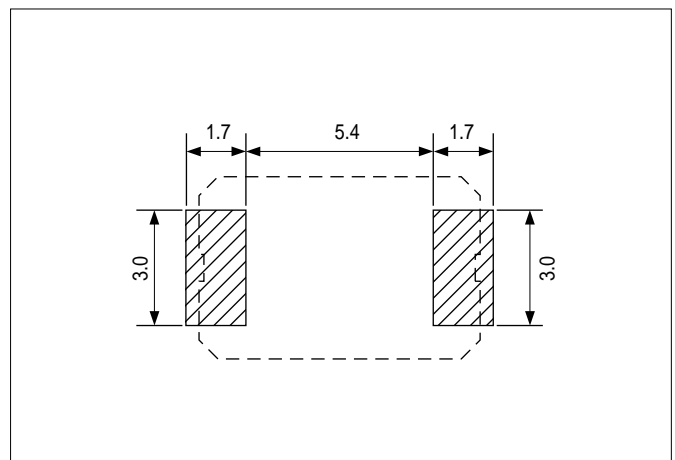
\* Please inquire about frequencies other than the above.

\*Taping item packaging : one unit 1,000 pcs or 3,000 pcs

### ■Outline



### ■Land Pattern(reference)



Dimensions(mm)