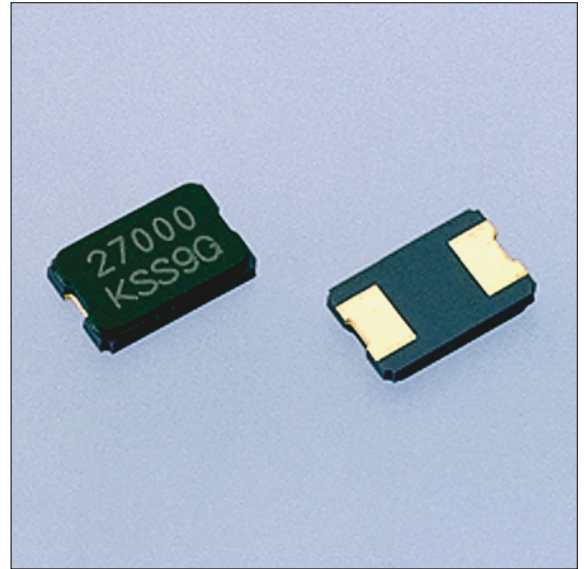


CX-53F

SMD

■Features

- Ultra-thin, thickness 1.1mm or less.
- Because it is the leadless type, automatic mounting is possible.
- Excels even in an environment that requires reliability.
- Reflow is possible.
- Low cost.



■Specifications

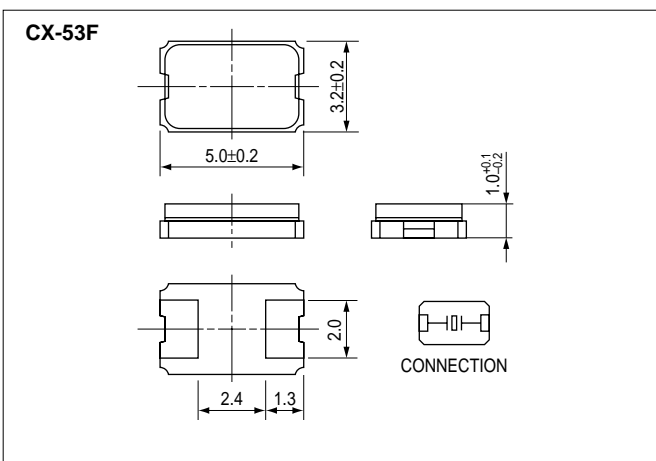
Type		CX-53F
Frequency Range		12~54MHz
Standard Frequency		Table 1
Operating Temp. Range		-10~+70°C
Storage Temp. Range		-30~+80°C
Frequency Tolerance	at 25°C	±15, ±30, ±50×10 ⁻⁶
	Over The Oper. Temp. Range	±15, ±30, ±50×10 ⁻⁶ (referred to 25°C)
Load Capacitance		12pF
Equivalent Series Resistance		12~14MHz 150Ω 14~30MHz 100Ω 30~54MHz 50Ω
Shunt Capacitance		7pF MAX.
Drive Level		12~16MHz : 0.5mW MAX. 16~24MHz : 0.3mW MAX. 24~54MHz : 0.1mW MAX.
Shock		Three drops onto a hard wood board from the height of 50cm
Vibration		10~55Hz, amplitude 1.5mm, each to 3 directions, 2 hours each

■Table 1
Standard Frequencies

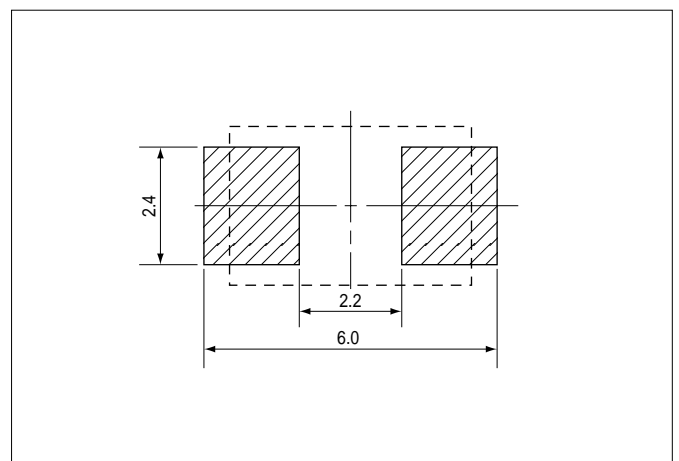
Standard Frequency (MHz)
12.0000
14.31818
14.7456
16.9344
18.432
22.5792
24.000
24.54545
24.576
27.000
36.000
48.000

* Taping item packaging : one unit 1,000 pcs or 3,000 pcs

■Outline



■Land Pattern(reference)



Dimensions(mm)