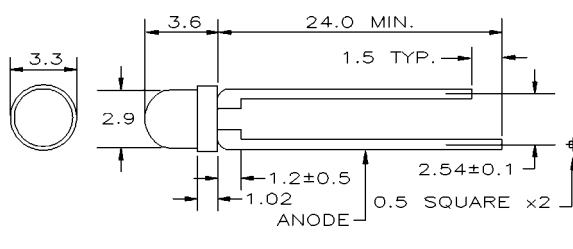
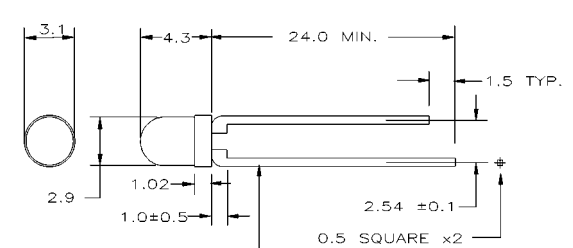
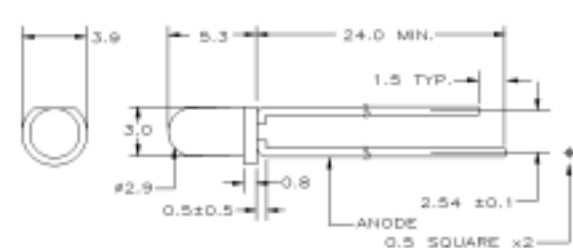
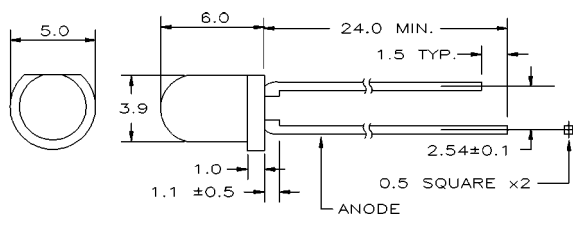


Ledtech STANDARD LED LAMP

3mm ROUND TYPE Electrical/Optical Characteristics at $T_A=25^\circ\text{C}$

PART NUMBER	EMITTING COLOR	LENS COLOR	IF = 20mA				PACKAGE DIMENSION
			λ_p (nm)	V_F (V)	I_V (mcd)	$2\theta_{1/2}$ (Deg.)	
			TYP.	TYP.	TYP.		
LT5021-41	Green	G.D.	572	2.1	5	100	 <p>3.3, 2.9, 3.6, 24.0 MIN., 1.5 TYP., 1.2±0.5, 1.02, 2.54±0.1, 0.5 SQUARE x2, ANODE</p>
LT5031-41	Yellow	Y.D.	589	2.1	4	100	
LT5041-41	Orange	O.D.	630	2.1	6	100	
LT5041R-41	Orange	R.D.	630	2.1	6	100	
LT6321-41	Green	G.D.	572	2.1	15	55	 <p>3.1, 2.9, 4.3, 24.0 MIN., 1.5 TYP., 1.02, 1.0±0.5, 2.54±0.1, 0.5 SQUARE x2, ANODE</p>
LT6331-41	Yellow	Y.D.	589	2.1	12	55	
LT6341-41	Orange	O.D.	630	2.1	17	55	
LT6341R-41	Orange	R.D.	630	2.1	17	55	
LT8321-41	Green	G.D.	572	2.1	13.5	35	 <p>3.9, 3.0, 5.3, 24.0 MIN., 1.5 TYP., 2.9, 0.5±0.5, 0.8, 2.54±0.1, 0.5 SQUARE x2, ANODE</p>
LT8331-41	Yellow	Y.D.	589	2.1	11.0	35	
LT8341-41	Orange	O.D.	630	2.1	15.5	35	
LT8341R-41	Orange	R.D.	630	2.1	15.5	35	

4mm ROUND TYPE Electrical/Optical Characteristics at $T_A=25^\circ\text{C}$

PART NUMBER	EMITTING COLOR	LENS COLOR	IF = 20mA				PACKAGE DIMENSION
			λ_p (nm)	V_F (V)	I_V (mcd)	$2\theta_{1/2}$ (Deg.)	
			TYP.	TYP.	TYP.		
LT0421-41	Green	G.D.	572	2.1	4	40	 <p>5.0, 3.9, 6.0, 24.0 MIN., 1.5 TYP., 1.0, 1.1±0.5, 2.54±0.1, 0.5 SQUARE x2, ANODE</p>
LT0431-41	Yellow	Y.D.	589	2.1	3	40	
LT0441-41	Orange	O.D.	630	2.1	4	40	
LT0441R-41	Orange	R.D.	630	2.1	4	40	
LT0411-41	Red	R.D.	700	2.1	1	40	