

# RECTIFIER ASSEMBLIES

673, 676 SERIES

Single Phase Bridges, 1.5Amp,  
Standard and Fast Recovery

## FEATURES

- Miniature Package
- Surge Ratings: to 25A
- PIV's: from 100 to 600V
- Recovery Times: to 500ns
- Controlled Avalanche Characteristics
- Only Fused-in-Glass Diodes Used

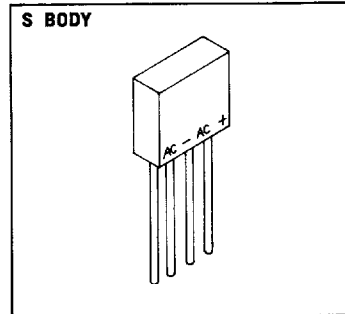
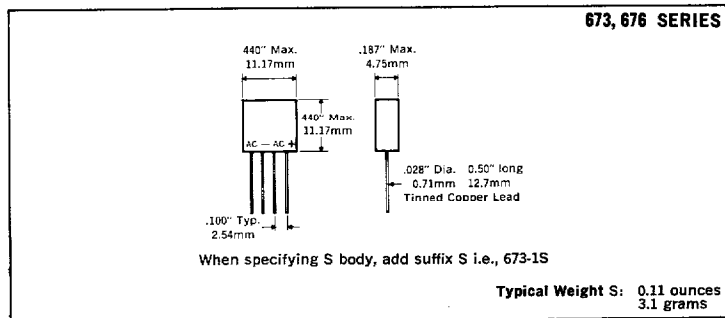
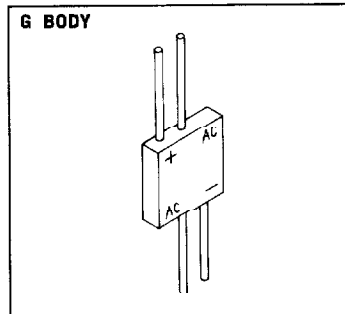
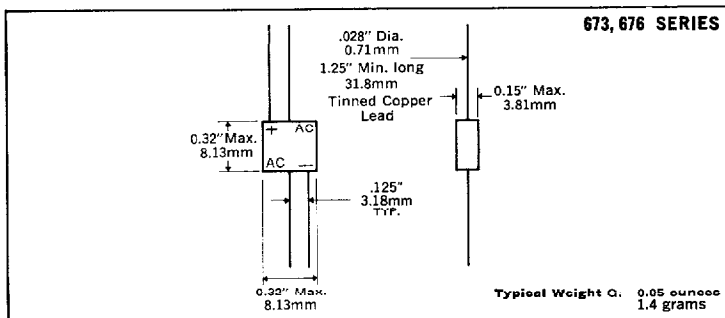
## DESCRIPTION

These miniature transfer-molded single-phase power bridges are designed for universal application in power supplies. One basic bridge assembly comes in a choice of lead configurations for mounting in wired chassis or on printed boards.

## ABSOLUTE MAXIMUM RATINGS

Peak Inverse Voltage .....	100 to 600V
Maximum Average D.C. Output Current .....	See Electrical Specifications
Non-Repetitive Sinusoidal Surge (8.3ms) .....	See Electrical Specifications
Operating and Storage Temperature Range .....	-65°C to +150°C
Thermal Resistance Junction to Ambient .....	50°C/W

## MECHANICAL SPECIFICATIONS



## MARKING

Alternating Current Input	A.C.
Cathode — Positive Output	+
Anode — Negative	-

Part number is printed on the body.

**Microsemi Corp.**  
**Watertown**  
The diode experts

Electrical Specifications (at 25°C unless noted)					Maximum Ratings		
Type	PIV Per Leg	Maximum Forward Drop Per Leg	Leakage Current Per Leg		Maximum Reverse Recovery Time†	Maximum Average D.C. Output Current T <sub>A</sub> = 25°C	Non-Repetitive Sinusoidal Surge (8.3mS)
			T <sub>A</sub> = 25°C	T <sub>A</sub> = 100°C			
	Volts		μA	μA	ns	Amps	Amps
Standard Recovery	673-1	100	1.1V @ 1.0A	2	100	—	1.5
	673-2	200					
	673-3	300					
	673-4	400					
	673-5	500					
	673-6	600					
Fast Recovery	676-1	100	1.1V @ 0.5A	3	150	500	1.0
	676-2	200					
	676-3	300					
	676-4	400					
	676-5	500					
	676-6	600					

†Measured in a reverse recovery circuit switching from 10mA forward to 10mA reverse current recovering to 5mA.

