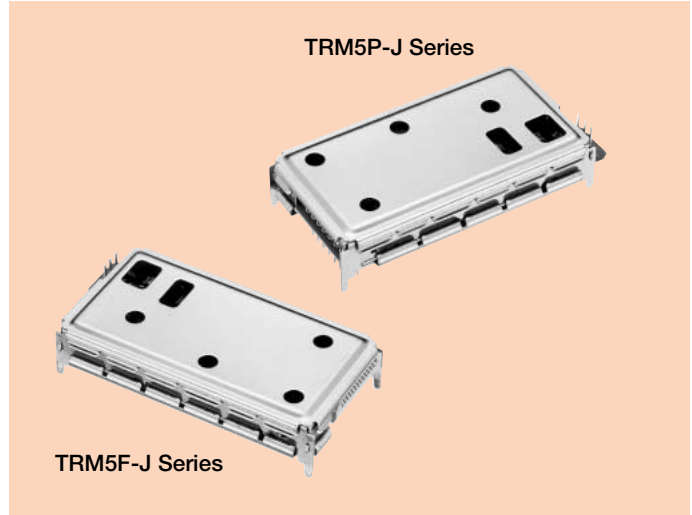


# RF Module for Cordless Telephone in Japan Use TRM5P/F-J Series

Telecommunication component

## OUTLINE

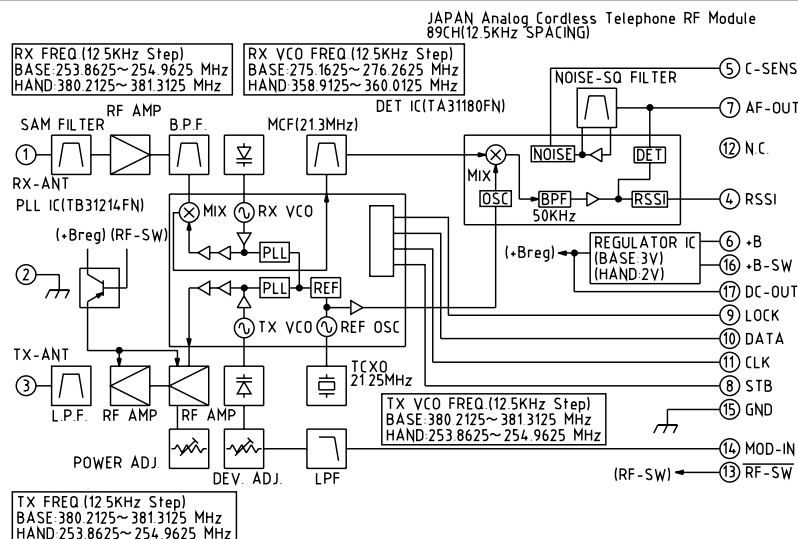
The MITSUMI TRM5P/F-J series have been developed by modifying the transmitting/receiving circuit, audio modulator and demodulator circuit, and PLL circuit of the Japanese market-oriented small power cordless telephones into compact and light weight modules.



## FEATURES

1. Low power consumption cordless telephone for domestic use. (Frequency bands used 250MHz and 380MHz.)
2. Achieves 13cc capacity.
3. Ultra-small, Ultra-thin (53×28×9).
4. Light weight, at 18g
5. Two types of mounting configurations are available : the board mounting type (TRM5P) and FPC connector type (TRM5F).
6. Low current consumption and low voltage operation. (Built-in 2V regulator) Also, the design supports uniaxial and bi-axial antennas.

## TRM5P/F-J BLOCK DIAGRAM

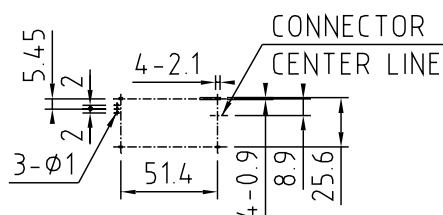
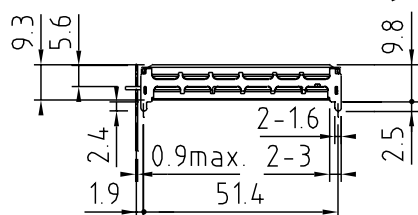
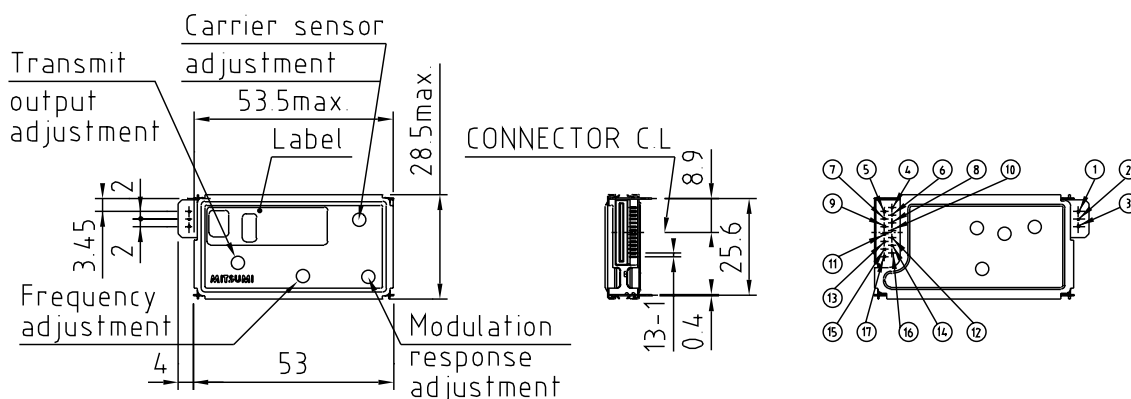


## SPECIFICATIONS

Item	Specifications		Unit
	BASE	HAND	
Standard Voltage	3.5	2.4	V
Current Consumption	Communication 64/ Stand-by 24	Communication 52/ Stand-by 21	mA
Weight	18		g
<b>RECEIVER</b>			
Reference Sensitivity	-4	-2	dB $\mu$ V
Signal to Noise Ratio	50		dB
Total Harmonic Distortion	1		%
Spurious Response	60		dB
Spurious Emissions	-65		dBm
Adjacent Channel Selectivity	63	60	dB
Audio Output Level	140		mVrms
<b>TRANSMITTER</b>			
Carrier Power	10		mW
Frequency Error	$\pm 3.8$ (max.)		ppm
Spurious Emissions	-50		dBm
Total Harmonic Distortion	0.4		%
Signal to Noise Ratio	45		dB
*Audio FM Deviation	1.5		kHz

\*Audio Input Level : 100mVrms.

## DIMENSIONS



RECOMENDED PCB DIMENSION  
FOR MOUNT MODULE  
(TOLERANCE  $\pm 0.1$ )

Unit : mm