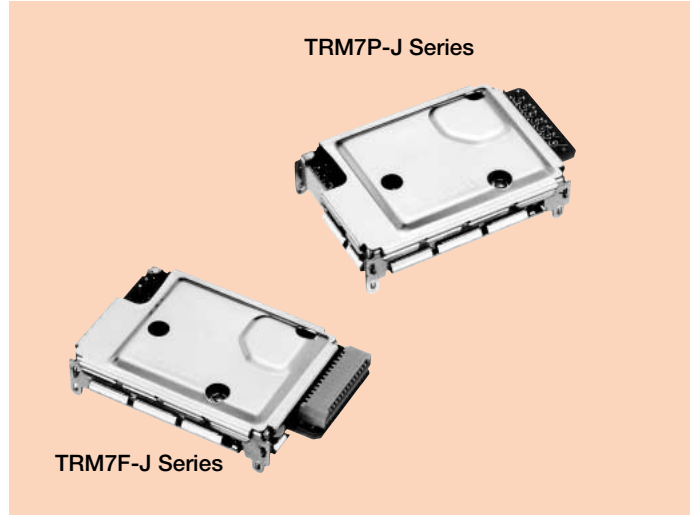


RF Module for Cordless Telephone in Japan Use TRM7P/F-J Series

Telecommunication component

OUTLINE

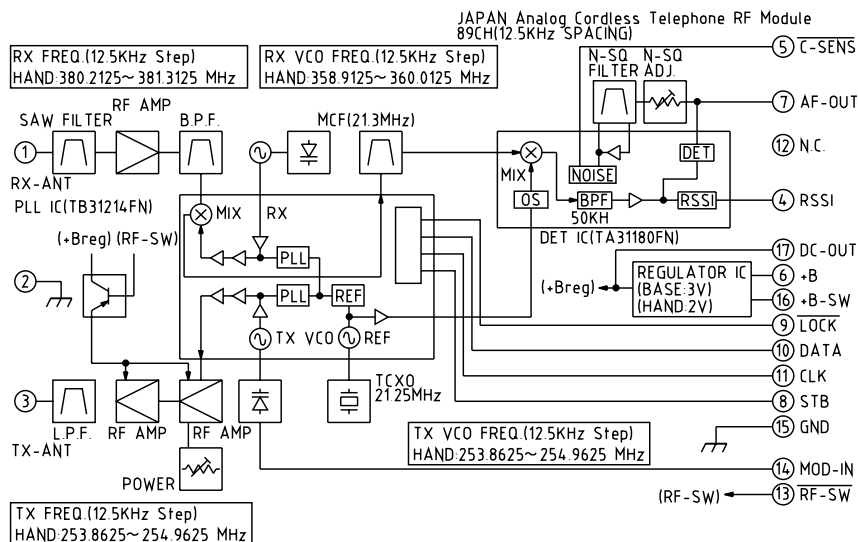
The MITSUMI TRM7P/F-J series have been developed by modifying the transmitting/receiving circuit, audio modulator and demodulator circuit, and PLL circuit of the Japanese market-oriented small power cordless telephones into compact and light weight modules.



FEATURES

1. For small power cordless telephones in the Japanese market. (Frequency bands used 250MHz and 380MHz.)
2. Achieves 8cc capacity.
3. Ultra-small, Ultra-thin (39×28×8 : Except Connector Part).
4. Light weight, at 13g
5. Two types of mounting configurations are available : the board mounting type (TRM7P) and FPC connector type (TRM7F).
6. Low current consumption and low voltage operation. (Built-in 2V regulator) Also, the design supports uniaxial and bi-axial antennas.

BLOCK DIAGRAM

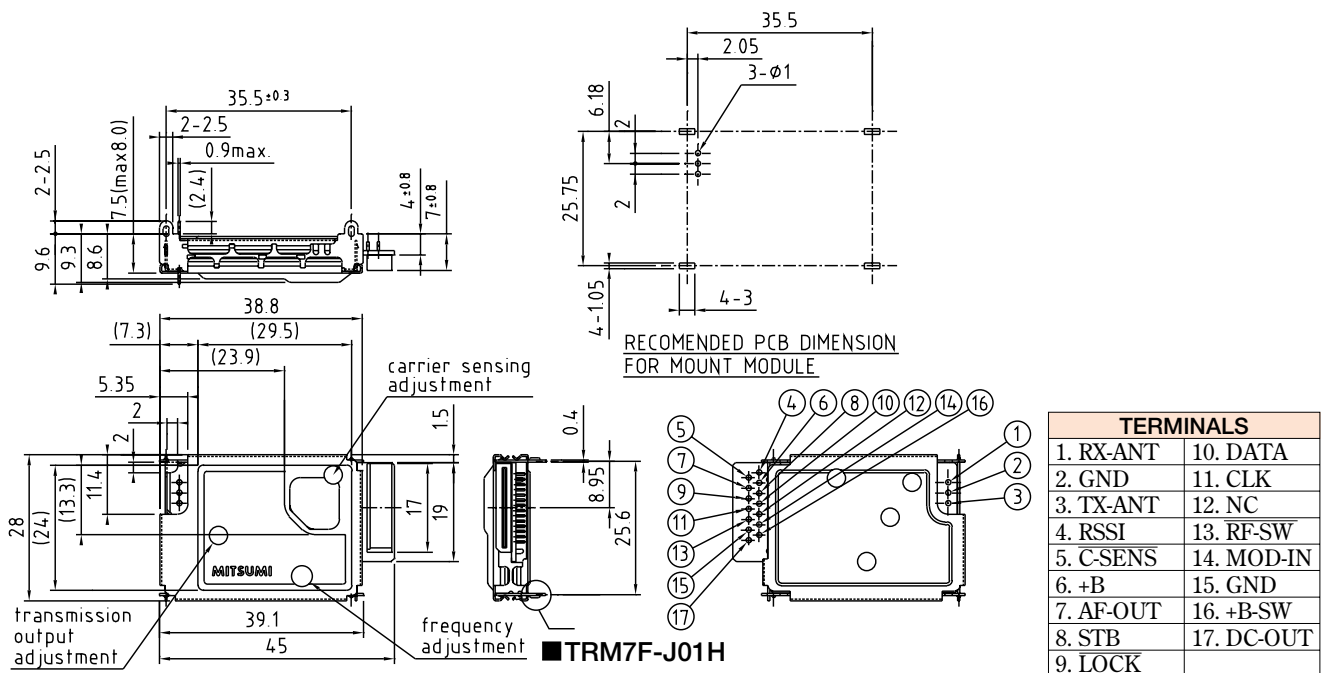


SPECIFICATIONS

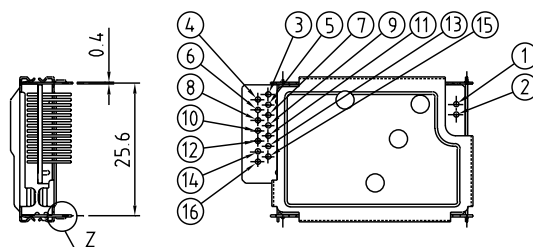
Item	Specifications	
	HAND	Unit
Standard Voltage	2.4	V
Current Consumption	Communication52/Stand-by21	mA
Weight	13	g
RECEIVER		
Reference Sensitivity	-4	dBuV
Signal to Noise Ratio	50	dB
Total Harmonic Distortion	1	%
Spurious Response	60	dB
Spurious Emissions	-65	dBm
Adjacent Channel Selectivity	60	dB
Audio Output Level	140	mVrms
TRANSMITTER		
Carrier Power	8	mW
Frequency Error	±3.8 (max.)	ppm
Spurious Emissions	-50	dBm
Total Harmonic Distortion	0.4	%
Signal to Noise Ratio	45	dB
*Audio FM Deviation	1.5	kHz

*Audio Input Level : 100mVrms.

DIMENSIONS



TRM7P-J01H



Unit : mm

*For the technical details of the products in this page, please refer to Sales Technique Dept., AVC Business Division, Phone: 046 (230) 3480.