

LOW VOLTAGE HEADPHONE AMPLIFIER for PORTABLE AUDIO

■ GENERAL DESCRIPTION

The **NJM2171A** is a low voltage headphone amplifier designed for portable audio items.

The **NJM2171A** operates directly for battery supply. It includes mute and standby circuit which require few external components and realize low current consumption and very low turn-noise at standby mode.

It is suitable for portable Mini-Disc, portable Compact-Disc, and other headphone amplifier application.

■ PACKAGE OUTLINE

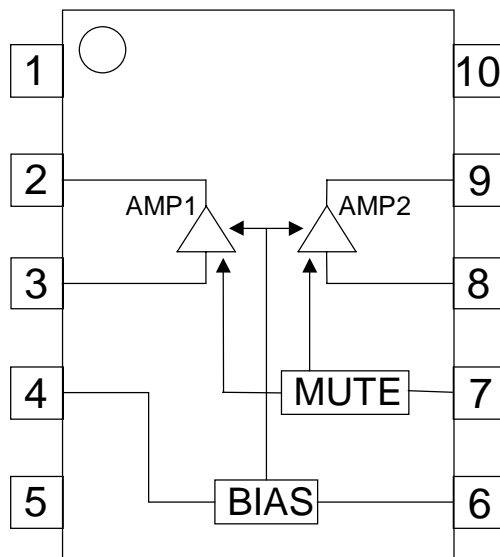


NJM2171AR

■ FEATURES

- Operating Voltage V⁺1=1.8 to 4.5V
V⁺2=0.9 to 4.5V
- Operating Current 450μA typ. @V⁺1=2.3V
700μA typ. @V⁺2=1.2V
- Supply Current in Power Down Mode 10μA typ. @V⁺1=2.3V
25μA typ. @V⁺2=1.2V
- Output Power Exceeds 5mW R_L=16Ω @THD=10%
- Fixed Voltage Gain 11.5dB typ.
- Package Outline VSP10
- Bipolar Technology

■ PIN CONFIGURATION



PIN FUNCTION

- 1.V⁺2
- 2.OUT1
- 3.IN1
- 4.STBY
- 5.V⁺1
- 6.V_{REF}
- 7.MUTE
- 8.IN2
- 9.OUT2
- 10.GND

■ ABSOLUTE MAXIMUM RATINGS (Ta=25°C)

PARAMETER	SYMBOL	RATINGS	UNIT
Supply Voltage	V ⁺	5	V
Power Dissipation	P _D	(VSP8) 320	mW
Operating Temperature Range	T _{opr}	-20 to +75	°C
Storage Temperature Range	T _{stg}	-40 to +125	°C

■ RECOMMENDED OPERATING CONDITIONS (Ta=25°C)

PARAMETER	SYMBOL	MIN.	TYP.	MAX.	UNIT
Operating Voltage Range1	V ⁺ 1	1.8	2.3	4.5	V
Operating Voltage Range2	V ⁺ 2	0.9	1.2	4.5	V

■ ELECTRICAL CHARACTERISTICS (V⁺1=2.3V, V⁺2=1.2V, R_g=600Ω, R_L=16Ω, f=1kHz, Ta=25°C)

PARAMETER	SYMBOL	TEST CONDITION	MIN.	TYP.	MAX.	UNIT
Operating Current	I _{CC0}	V ⁺ 1=0V(1pin)	-	-	1	μA
	I _{CC1}	STANDBY ON, MUTE ON(1pin)	-	25	40	
	I _{CC2}	STANDBY ON, MUTE ON(5pin)	-	10	15	
	I _{CC3}	No signal(1pin)	-	700	1200	
	I _{CC4}	No signal(5pin)	-	450	700	
	I _{CC5}	P _O =0.5mW+0.5mW(1pin)	-	5.5	-	mA
	I _{CC6}	P _O =0.5mW+0.5mW(5pin)	-	0.8	-	
Reference Voltage	V _{REF}	No signal	0.55	0.60	0.65	V
Closed Loop Gain	G _V	V _{IN} =-30dBV	10.5	11.5	12.5	dB
Output Power	P _{O1}	THD=10%	5.0	8.5	-	mW
	P _{O2}	V ⁺ 1=1.8V, V ⁺ 2=0.9V, THD=10%	2.0	4.0	-	
Total Harmonic Distortion	THD1	P _O =1mW, R _L =16Ω	-	0.15	0.3	%
	TED2	P _O =5mW, R _L =16Ω	-	0.4	0.6	
Output Noise Voltage	V _{NO}	A-Weighted	-	-100	-96	dBV
Crosstalk	CT	V _{IN} =-30dBV	-	-80	-70	dBV
Mute Level	MUTE	MUTE-ON, V _{IN} =-30dBV, A-Weighted	-	-95	-80	dBV
Supply Voltage Rejection Ratio	SVR1	V ⁺ 1=1.8V+0.1Vrms, V ⁺ 2=0.9V	60	70	-	dB
	SVR2	V ⁺ 1=1.8V, V ⁺ 2=0.9V+0.1Vrms	60	70	-	

CONTROL TERMINAL CHARACTERISTICS

PARAMETER	SYMBOL	TEST CONDITION	MIN.	TYP.	MAX.	UNIT
High Level Input Voltage	V_{IH}	STBY(4pin), MUTE(7pin)	1.2	-	V^{+1}	V
Low Level Input Voltage	V_{IL}	STBY(4pin), MUTE(7pin)	0	-	0.3	V

CONTROL TERMINAL EXPLANATION

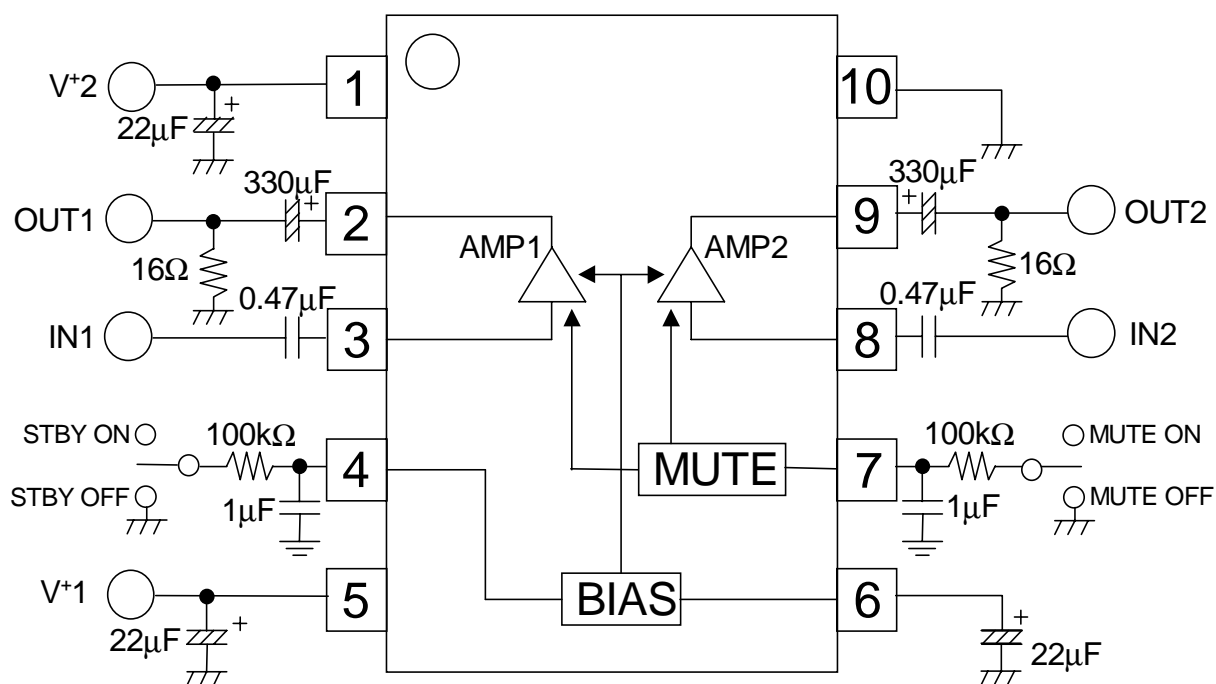
•STBY (4Pin)

PARAMETER	CONTROL SIGNAL	STATUS
STANDBY ON	H	IC is non-active.
STANDBY OFF	L	IC is active.

•MUTE (7Pin)

PARAMETER	CONTROL SIGNAL	STATUS
MUTE ON	H	IC doesn't output the signal.
MUTE OFF	L	IC output the signal.

APPLICATION CIRCUIT



[CAUTION]

The specifications on this databook are only given for information, without any guarantee as regards either mistakes or omissions. The application circuits in this databook are described only to show representative usages of the product and not intended for the guarantee or permission of any right including the industrial rights.