

CLC405

Low-Cost, Low-Power, 110MHz Op Amp with Disable

General Description

The CLC405 is a low-cost, wideband (110MHz) op amp featuring a TTL-compatible disable which quickly switches off in 18ns and back on in 40ns. While disabled, the CLC405 has a very high input/output impedance and its total power consumption drops to a mere 8mW. When enabled, the CLC405 consumes only 35mW and can source or sink an output current of 60mA. These features make the CLC405 a versatile, high-speed solution for demanding applications that are sensitive to both power and cost.

Utilizing National's proven architectures, this current feedback amplifier surpasses the performance of alternative solutions and sets new standards for low power at a low price. This power-conserving op amp achieves low distortion with -72dBc and -70dBc for second and third harmonics respectively. Many high source impedance applications will benefit from the CLC405's 6MΩ input impedance. And finally, designers will have a bipolar part with an exceptionally low 100nA non-inverting bias current.

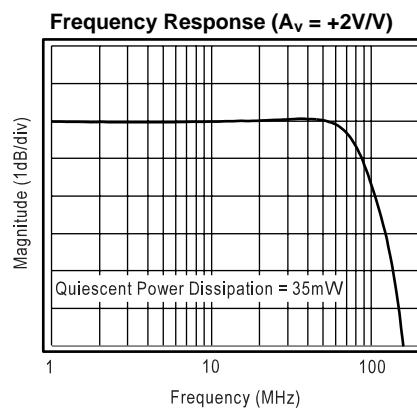
With 0.1dB flatness to 50MHz and low differential gain and phase errors, the CLC405 is an ideal part for professional video processing and distribution. However, the 110MHz -3dB bandwidth ($A_v = +2$) coupled with a 350V/μs slew rate also make the CLC405 a perfect choice in cost-sensitive applications such as video monitors, fax machines, copiers, and CATV systems.

Features

- Low-cost
- Very low input bias current: 100nA
- High input impedance: 6MΩ
- 110MHz -3dB bandwidth ($A_v = +2$)
- Low power: $I_{CC} = 3.5mA$
- Ultra-fast enable/disable times
- High output current: 60mA

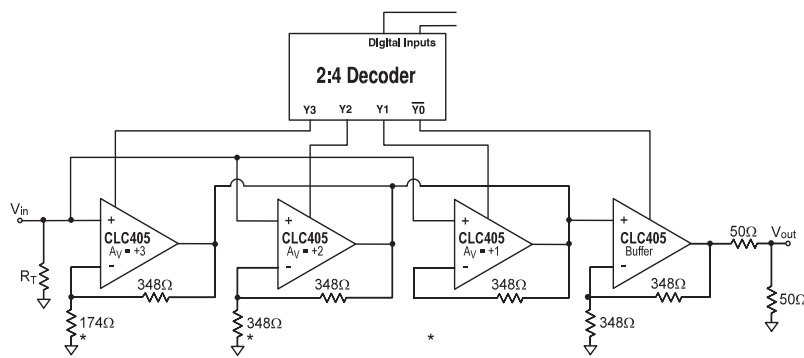
Applications

- Desktop video systems
- Multiplexers
- Video distribution
- Flash A/D driver
- High-speed switch/driver
- High-source impedance applications
- Peak detector circuits
- Professional video processing
- High resolution monitors

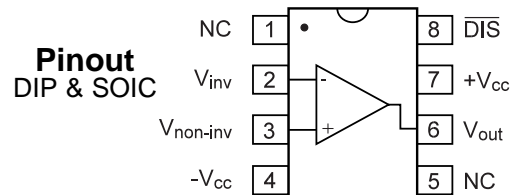
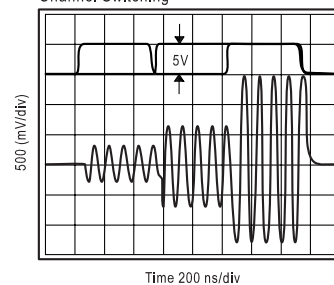


Typical Application

Wideband Digitally Controlled Programmable Gain Amplifier



Channel Switching



CLC405 Electrical Characteristics (A_V = +2, R_f = 348Ω; V_{cc} = ± 5V, R_L = 100Ω unless specified)

PARAMETERS	CONDITIONS	TYP	MIN/MAX RATINGS			UNITS	NOTES
Ambient Temperature	CLC405AJ	+25°C	+25°C	0 to 70°C	-40 to 85°C		
FREQUENCY DOMAIN RESPONSE							
-3dB bandwidth	V _{out} < 1.0V _{pp}	110	75	50	45	MHz	1
	V _{out} < 5.0V _{pp}	42	31	27	26	MHz	
-3dB bandwidth A _V = +1	V _{out} < 0.5V _{pp} (R _f = 2K)	135				MHz	
±0.1dB bandwidth	V _{out} < 1.0V _{pp}	50	15			MHz	
gain flatness	V _{out} < 1.0V _{pp}						
peaking	DC to 200MHz	0	0.6	0.8	1.0	dB	
rolloff	<30MHz	0.05	0.3	0.4	0.5	dB	
linear phase deviation	<20MHz	0.3	0.6	0.7	0.7	deg	
differential gain	NTSC, R _L = 150Ω	0.01	0.03	0.04	0.05	%	
	NTSC, R _L = 150Ω (Note 2)	0.01				%	2
differential phase	NTSC, R _L = 150Ω	0.25	0.4	0.5	0.55	deg	
	NTSC, R _L = 150Ω (Note 2)	0.08				deg	2
TIME DOMAIN RESPONSE							
rise and fall time	2V step	5	7.5	8.2	8.4	ns	
settling time to 0.05%	2V step	18	27	36	39	ns	
overshoot	2V step	3	12	12	12	%	
slew rate	A _V = +2	350	260	225	215	V/μs	
	A _V = -1	650				V/μs	
DISTORTION AND NOISE RESPONSE							
2 nd harmonic distortion	2V _{pp} , 1MHz/10MHz	-72/-52	-46	-45	-44	dBc	B
3 rd harmonic distortion	2V _{pp} , 1MHz/10MHz	-70/-57	-50	-47	-46	dBc	B
equivalent input noise							
non-inverting voltage	>1MHz	5	6.3	6.6	6.7	nV/√Hz	
inverting current	>1MHz	12	15	16	17	pA/√Hz	
non-inverting current	>1MHz	3	3.8	4	4.2	pA/√Hz	
STATIC DC PERFORMANCE							
input offset voltage		1	5	7	8	mV	A
average drift		30	50		50	μV/°C	
input bias current	non-inverting	100	900	1600	2800	nA	A
average drift		3		8	11	nA/°C	
input bias current	inverting	1	5	7	10	μA	A
average drift		17		40	45	nA/°C	
power supply rejection ratio	DC	52	47	46	45	dB	
common-mode rejection ratio	DC	50	45	44	43	dB	
supply current	R _L = ∞	3.5	4.0	4.1	4.4	mA	A
disabled	R _L = ∞	0.8	0.9	0.95	1	mA	A
SWITCHING PERFORMANCE							
turn on time		40	55	58	58	ns	
turn off time	to >50dB attn. @ 10MHz	18	26	30	32	ns	
off isolation	10MHz	59	55	55	55	dB	
high input voltage	V _{IH}		2	2	2	V	
low input voltage	V _{IL}		0.8	0.8	0.8	V	
MISCELLANEOUS PERFORMANCE							
input resistance	non-inverting	6	3	2.4	1	MΩ	
input resistance	inverting	182				Ω	
input capacitance	non-inverting	1	2	2	2	pF	
common mode input range		±2.2	1.8	1.7	1.5	V	
output voltage range	R _L = 100Ω	+3.5,-2.8	+3.1,-2.7	+2.9,-2.6	+2.4,-1.6	V	
output voltage range	R _L = ∞	+4.0,-3.3	+3.9,-3.2	+3.8,-3.1	+3.7,-2.8	V	
output current		40	40	38	20	mA	
output resistance, closed loop		0.06	0.2	0.25	0.4	Ω	

Recommended gain range ±1 to ±40V/V

Min/max ratings are based on product characterization and simulation. Individual parameters are tested as noted. Outgoing quality levels are determined from tested parameters.

Absolute Maximum Ratings

supply voltage	±7V
I _{out} is short circuit protected to ground	
common-mode input voltage	±V _{cc}
maximum junction temperature	+150°C
storage temperature range	-65°C to +150°C
lead temperature (soldering 10 sec)	+300°C

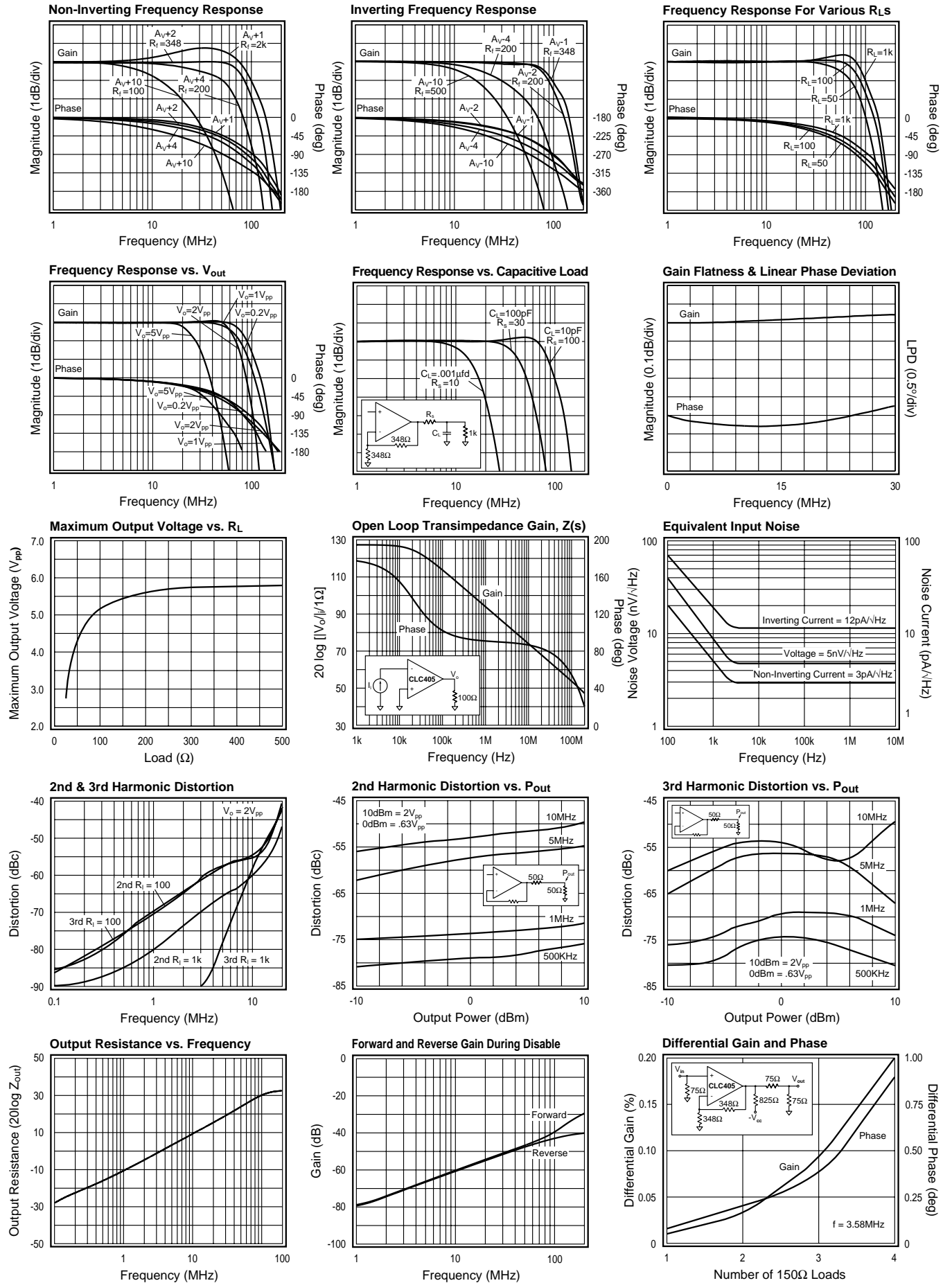
Transistor count

68

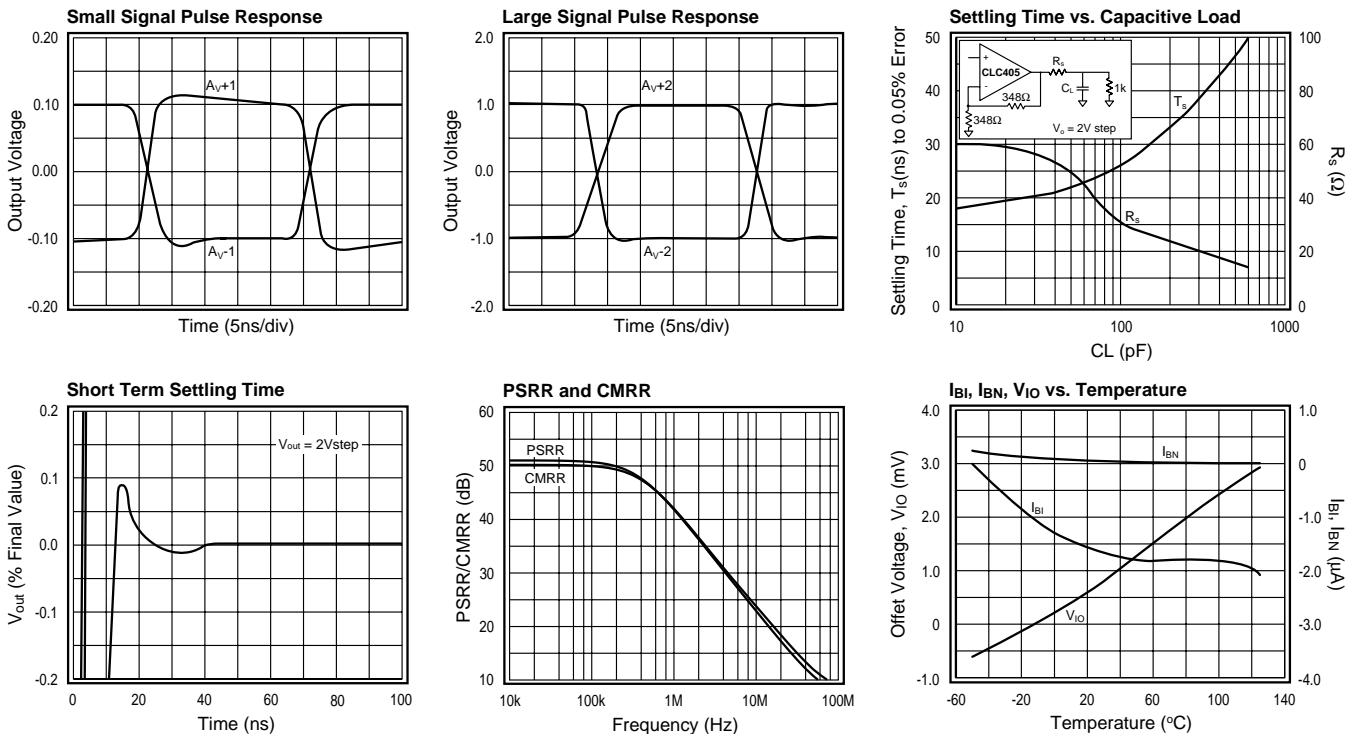
Notes

- At temps < 0°C, spec is guaranteed for R_L = 500Ω.
 - An 825Ω pull-down resistor is connected between V_o and -V_{cc}.
- A) J-level: spec is 100% tested at +25°C
 B) Guaranteed at 10MHz.

CLC405 Typical Performance Characteristics ($A_V = +2$, $R_f = 348\Omega$; $V_{CC} = \pm 5V$, $R_L = 100\Omega$ unless specified)



CLC405 Typical Performance Characteristics ($A_V = +2$, $R_f = 348\Omega$; $V_{CC} = \pm 5V$, $R_L = 100\Omega$ unless specified)



CLC405 OPERATION

Feedback Resistor

The feedback resistor, R_f , determines the loop gain and frequency response for a current feedback amplifier. Unless otherwise stated, the performance plots and data sheet specify CLC405 operation with R_f of 348Ω at a gain of $+2V/V$. Optimize frequency response for different gains by changing R_f . Decrease R_f to peak frequency response and extend bandwidth. Increase R_f to roll off of the frequency response and decrease bandwidth. Use a $2k\Omega$ R_f for unity gain, voltage follower circuits.

Use application note OA-13 to optimize your R_f selection. The equations in this note are a good starting point for selecting R_f . The value for the inverting input impedance for OA-13 is approximately 182Ω .

Enable/Disable Operation Using $\pm 5V$ Supplies

The CLC405 has a TTL & CMOS logic compatible disable function. Apply a logic low (i.e. $< 0.8V$) to pin 8, and the CLC405 is guaranteed disabled across its temperature range. Apply a logic high to pin 8, (i.e. $> 2.0V$) and the CLC405 is guaranteed enabled. Voltage, not current, at pin 8 determines the enable/disable state of the CLC405.

Disable the CLC405 and its inputs and output become high impedances. While disabled, the CLC405's quiescent power drops to $8mW$.

Use the CLC405's disable to create analog switches or multiplexers. Implement a single analog switch with one CLC405 positioned between an input and output. Create an analog multiplexer with several CLC405s. Tie the outputs together and put a different signal on each CLC405 input.

Operate the CLC405 without connecting pin 8. An internal $20k\Omega$ pull-up resistor guarantees the CLC405 is enabled when pin 8 is floating.

Enable/Disable Operation for Single or Unbalanced Supply Operation

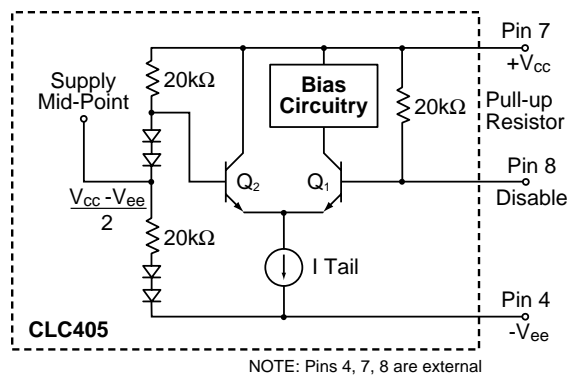


Figure 1

Figure 1 illustrates the internal enable/disable operation of the CLC405. When pin 8 is left floating or is tied to $+V_{CC}$, Q_1 is on and pulls tail current through the CLC405 bias circuitry. When pin 8 is less than $0.8V$ above the supply midpoint, Q_1 stops tail current from flowing in the CLC405 circuitry. The CLC405 is now disabled.

Disable Limitations

The feedback resistor, R_f , limits off isolation in inverting gain configurations. Do not apply voltages greater than $+V_{CC}$ or less than $-V_{EE}$ to pin 8 or any other pin.

Input - Bias Current, Impedances, and Source Termination Considerations

The CLC405 has:

- a 6MΩ non-inverting input impedance.
- a 100nA non-inverting input bias current.

If a large source impedance application is considered, remove all parasitic capacitance around the non-inverting input and source traces. Parasitic capacitances near the input and source act as a low-pass filter and reduce bandwidth.

Current feedback op amps have uncorrelated input bias currents. These uncorrelated bias currents prevent source impedance matching on each input from canceling offsets. Refer to application note OA-07 of the data book to find specific circuits to correct DC offsets.

Layout Considerations

Whenever questions about layout arise, USE THE EVALUATION BOARD AS A TEMPLATE.

Use the CLC730013 and CLC730027 evaluation boards for the DIP and SOIC respectively. These board layouts were optimized to produce the typical performance of the CLC405 shown in the data sheet. To reduce parasitic capacitances, the ground plane was removed near pins 2, 3, and 6. To reduce series inductance, trace lengths of components and nodes were minimized.

Parasitics on traces degrade performance. Minimize coupling from traces to both power and ground planes. Use low inductive resistors for leaded components.

Do not use dip sockets for the CLC405 DIP amplifiers. These sockets can peak the frequency domain response or create overshoot in the time domain response. Use flush-mount socket pins when socketing is necessary. The 730013 circuit board device holes are sized for Cambion P/N 450-2598 socket pins or their functional equivalent.

Insert the back matching resistor (R_{out}) shown in Figure 2 when driving coaxial cable or a capacitive load. Use the plot in the typical performance section labeled "Settling Time vs. Capacitive Load" to determine the optimum resistor value for R_{out} for different capacitive loads. This optimal resistance improves settling time for pulse-type applications and increases stability.

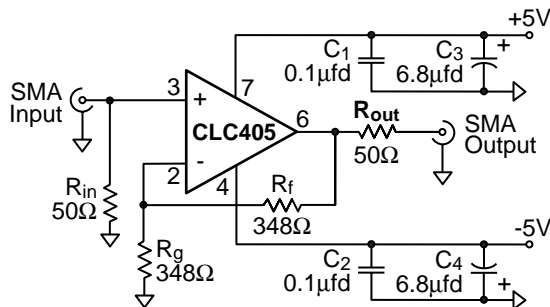
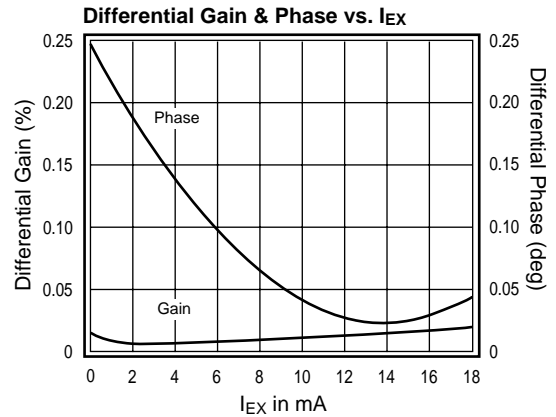


Figure 2

Use power-supply bypassing capacitors when operating this amplifier. Choose quality 0.1μF ceramics for C_1 and C_2 . Choose quality 6.8μF tantalum capacitors for C_3 and C_4 . Place the 0.1μF capacitors within 0.1 inches from the power pins. Place the 6.8μF capacitors within 3/4 inches from the power pins.

Video Performance vs. I_{EX}

Improve the video performance of the CLC405 by drawing extra current from the amplifier output stage. Using a single external resistor as shown in Figure 3, you can adjust the differential phase. Video performance vs. I_{EX} is illustrated below in Graph 1. This graph represents positive video performance with negative synchronization pulses.



Graph1

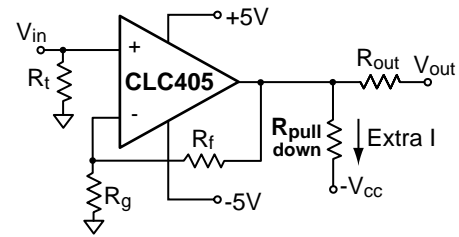


Figure 3

The value for R_{pd} in Figure 3 is determined by :

$$R_{pd} = \frac{5}{I_{EX}}$$

at ±5V supplies.

Wideband Digital PGA

As shown on the front page, the CLC405 is easily configured as a digitally controlled programmable gain amplifier. Make a PGA by configuring several amplifiers at required gains. Keep R_f near 348Ω and change R_g for each different gain. Use a TTL decoder that has enough outputs to control the selection of different gains and the buffer stage. Connect the buffer stage like the buffer of the front page. The buffer isolates each gain stage from the load and can produce a gain of zero for a gain selection of zero. Use of an inverter (7404) on the buffer disable pin to keep the buffer operational at all gains except zero. Or float the buffer disable pin for a continuous enable state.

Amplitude Equalization

Sending signals over coaxial cable greater than 50 meters in length will attenuate high frequency signal components. Equalizers restore the attenuated components of this signal. The circuit in Figure 4, is an op amp equalizer. The RC networks peak the response of the CLC405 at higher frequencies. This peaking restores cable-attenuated frequencies. Graph 2 shows how the equalizer actually restored a digital word through 150 meters of coaxial cable.

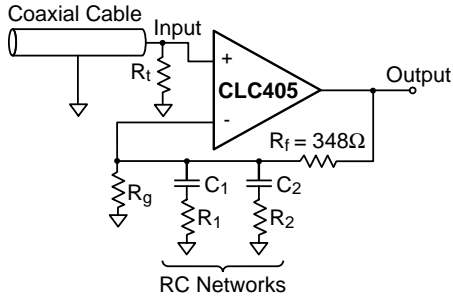
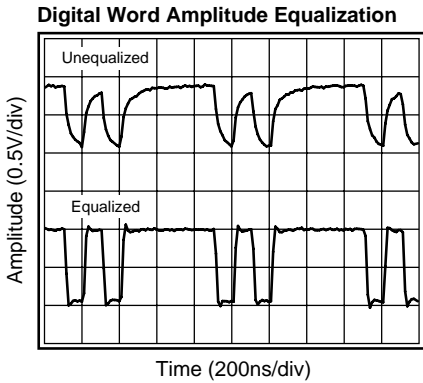


Figure 4



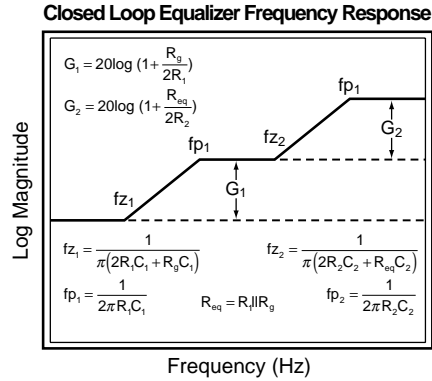
Graph 2

The values used to produce Graph 2 are:
 $R_g = 348\Omega$ $C_1 = 470\text{pF}$ $C_2 = 70\text{pF}$
 $R_1 = 450\Omega$ $R_2 = 90\Omega$

Amplitude Equalizer

Place the first zero (f_{z1}) at some low frequency (540 khz for Graph 2). R_1 & C_1 produce a pole (f_{p1} @ 750khz) that cancels f_{z1} . Place a second zero at a higher frequency (f_{z2} @ 12Mhz). R_2 & C_2 provide a canceling pole (of $f_{p2} = 25\text{Mhz}$).

Graph 3 shows the closed loop response of the op amp equalizer with equations for the poles, zeros, and gains.



Graph 3

Note: For very-high frequency equalization, use a higher bandwidth part (i.e. CLC44X)

Package Thermal Resistance

Package	θ_{jc}	θ_{jA}
Plastic (AJP)	75°/W	125°/W
Surface Mount (AJE)	130°/W	150°/W
CerDip	65°/W	155°/W

Ordering Information

Model	Temperature Range	Description
CLC405AJP	-40°C to +85°C	8-pin PDIP
CLC405AJE	-40°C to +85°C	8-pin SOIC
CLC405AIB	-40°C to +85°C	8-pin CerDIP
CLC405ALC	-40°C to +85°C	dice
CLC405AMC	-55°C to +125°C	dice, MIL-STD-883
CLC405A8B	-55°C to +125°C	8-pin CerDIP, MIL-STD-883

Contact factory for other packages and DESC SMD number.

Customer Design Applications Support

National Semiconductor is committed to design excellence. For sales, literature and technical support, call the National Semiconductor Customer Response Group at **1-800-272-9959** or fax **1-800-737-7018**.

Life Support Policy

National's products are not authorized for use as critical components in life support devices or systems without the express written approval of the president of National Semiconductor Corporation. As used herein:

1. Life support devices or systems are devices or systems which, a) are intended for surgical implant into the body, or b) support or sustain life, and whose failure to perform, when properly used in accordance with instructions for use provided in the labeling, can be reasonably expected to result in a significant injury to the user.
2. A critical component is any component of a life support device or system whose failure to perform can be reasonably expected to cause the failure of the life support device or system, or to affect its safety or effectiveness.



National Semiconductor Corporation
 1111 West Bardin Road
 Arlington, TX 76017
 Tel: 1(800) 272-9959
 Fax: 1(800) 737-7018

National Semiconductor Europe
 Fax: (+49) 0-180-530 85 86
 E-mail: europe.support.nsc.com
 Deutsch Tel: (+49) 0-180-530 85 85
 English Tel: (+49) 0-180-532 78 32
 Francais Tel: (+49) 0-180-532 93 58
 Italiano Tel: (+49) 0-180-534 16 80

National Semiconductor Hong Kong Ltd.
 2501 Miramar Tower
 1-23 Kimberley Road
 Tsimshatsui, Kowloon
 Hong Kong
 Tel: (852) 2737-1600
 Fax: (852) 2736-9960

National Semiconductor Japan Ltd.
 Tel: 81-043-299-2309
 Fax: 81-043-299-2408