

LM1951 Solid State 1 Amp Switch

General Description

The LM1951 is a high current, high voltage, high side (PNP) switch with a built-in error detection circuit.

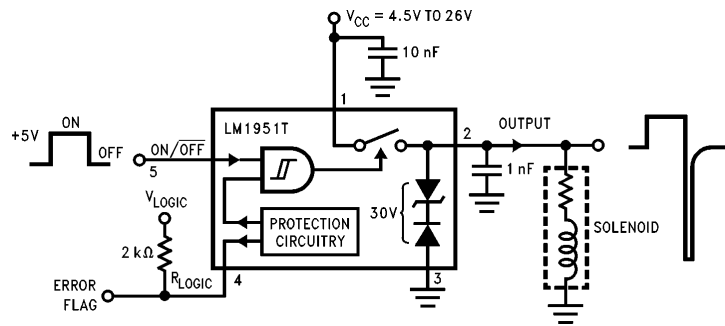
The LM1951 is guaranteed to deliver 1 Amp output current and is capable of withstanding up to $\pm 85V$ transients. The built-in error detection provides an error flag output under the following fault conditions: output short to ground or supply, open load, current limit, overvoltage or thermal shutdown. The LM1951 will drive all types of resistive or inductive loads. The output has a built-in negative voltage clamp ($\approx -30V$) to provide a quick energy discharge path for inductive loads. The LM1951 features TTL and CMOS compatible logic input with hysteresis. Switching times, both turn on and turn off, are $2 \mu s$ ($C_{load} < 0.005 \mu F$). In addition, its quiescent current in the OFF state is typically less than $0.1 \mu A$ at room temperature and less than $10 \mu A$ over the entire operating temperature and voltage range.

The LM1951 features make it well suited for industrial and automotive applications.

Features

- $0.1 \mu A$ typical quiescent current (OFF state)
- 1 Amp output current guaranteed
- $\pm 85V$ transient protection
- Reverse voltage protection
- Negative output voltage clamp
- Error flag output
- Internal overvoltage shutdown
- Internal thermal shutdown
- Short circuit proof
- High speed switching (up to 50 kHz)
- Inductive or resistive loads
- Low ON resistance (1Ω maximum)
- TTL, CMOS compatible input with hysteresis
- Plastic TO-220 5-lead package
- ESD protected
- 4.5V to 26V operation

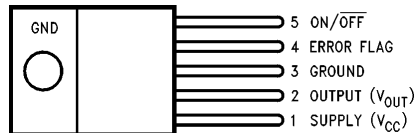
Typical Application Circuit and Connection Diagram



TL/H/9133-1

V_{IN}	Output
0	OFF
1	ON

TO-220, 5-Lead



TL/H/9133-2

Front View
 Order Number LM1951T
 See NS Package Number T05A

Absolute Maximum Ratings

If Military/Aerospace specified devices are required, please contact the National Semiconductor Sales Office/Distributors for availability and specifications.

Supply Voltage		
Operational Voltage		26 V _{DC}
Sustained Voltage	-40 V _{DC} ≥ V _{CC} ≤ 85 V _{DC}	
Transient Voltage Protection		±85V
(τ = 100 ms, 1% Duty Cycle, R _S ≥ 10Ω)		
Pins 4, 5		26 V _{DC}

Power Dissipation (Note 1)	Internally Limited
Load Inductance	1H
Operating Temperature Range (T _A)	-40°C to +125°C
Maximum Junction Temperature	150°C
Storage Temperature Range	-65°C to +150°C
Lead Temperature (Soldering, 10 sec.)	260°C
ESD Tolerance (Note 4):	2000V

Electrical Characteristics

V_{CC} = 12V, I_{out} = 500 mA, C_{out} = 0.001 μF, T_A = 25°C unless otherwise specified

Parameter	Conditions	Typical	Tested Limit (Note 2)	Design Limit (Note 3)	Units		
Supply Voltage, V _{CC}			4.5		V _{min}		
			Operational	26		V _{max}	
			Transient	τ = 100 ms, 1% Duty Cycle, R _{CC} ≥ 10Ω	-85		V
					85		V
Supply Current	I _{out} = 0 mA, V _{ON/OFF} = 0.8V		0.1	10	100	μA _{max}	
	I _{out} = 250 mA, V _{ON/OFF} = 2.0V		260	270		mA _{max}	
	I _{out} = 600 mA, V _{ON/OFF} = 2.0V		630	650		mA _{max}	
	I _{out} = 1A, V _{ON/OFF} = 2.0V		1.06	1.2		A _{max}	
Voltage Drop (V _{CC} - V _{OUT})	I _{out} = 600 mA, V _{ON/OFF} = 2.0V		400	600		mV _{max}	
	I _{out} = 1A, V _{ON/OFF} = 2.0V		0.7	1.0		V _{max}	
Short Circuit Current	V _{OUT} = 0V, V _{ON/OFF} = 2V		1.3	1.0		A _{min}	
				2.5		A _{max}	
Input Threshold, Pin 5	4.5V ≤ V _{CC} ≤ 26V	Turn ON	1.4	2.0	2.0	V _{max}	
		Turn OFF	1.2	0.8	0.8	V _{min}	
Input Current, Pin 5	0.8V ≤ V _{ON/OFF} ≤ 5.5V		25	50		μA _{max}	
				10		μA _{min}	
Output Clamp	I _{out} ≤ 600 mA		-30	-40		V _{min}	
				-24		V _{max}	
Delay Time	t _{d, ON}	R _{load} = 20Ω, C _{load} = 0.001 μF	1	3		μs _{max}	
			t _{d, OFF}	1	3		μs _{max}
Rise Time			1	3		μs _{max}	
Fall Time			1	3		μs _{max}	
Error Flag Characteristics: Output Voltage	Error Condition, Pin 4 Low, Sinking 10 mA		0.3	0.8		V _{max}	
Sink Current	Error Condition, Pin 4 = 0.3V		10	3		mA _{min}	
Output Leakage Current	No Error, Pin 4 = 26V		0.01	1		μA _{max}	
Response Time	V _{LOGIC} = 5V, R _{LOGIC} = 2 kΩ, C _{LOGIC} = 0 μF		1			μs	

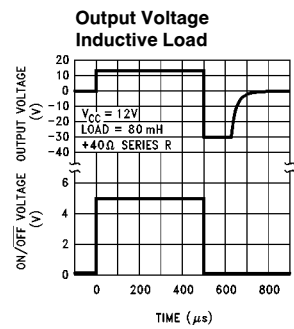
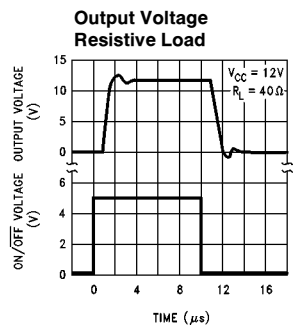
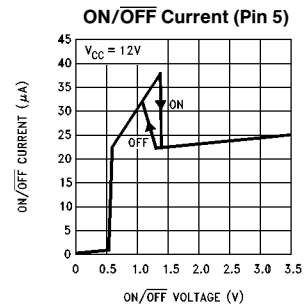
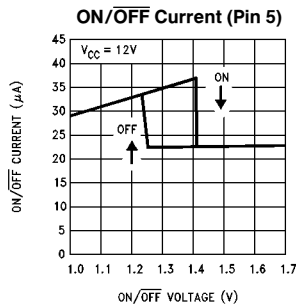
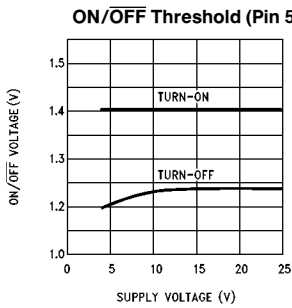
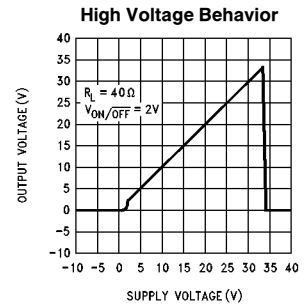
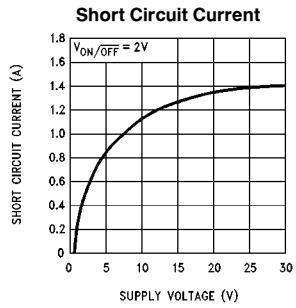
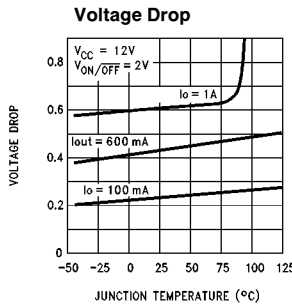
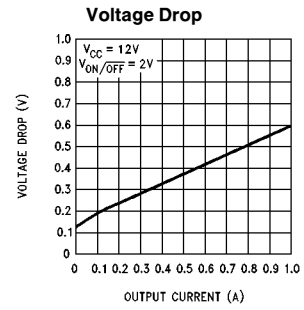
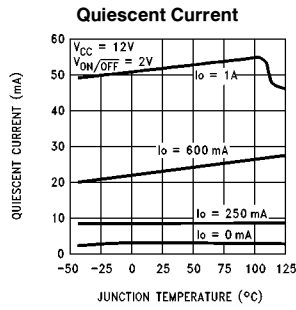
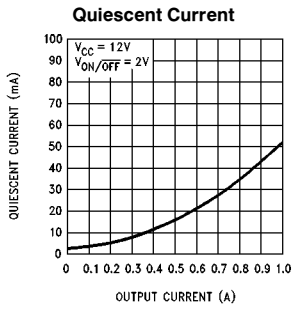
Note 1: Thermal resistance junction-to-case is 3°C/W. Thermal resistance case-to-ambient is 50°C/W.

Note 2: Tested Limits are guaranteed and 100% production tested.

Note 3: Design Limits are guaranteed (but not 100% production tested) over the operating temperature and supply voltage range. These limits are not used to calculate outgoing quality levels.

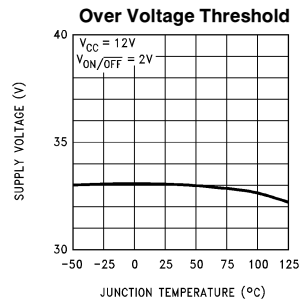
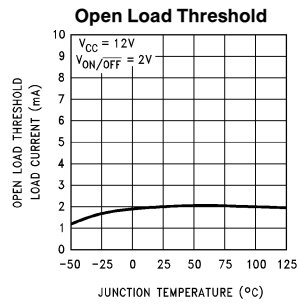
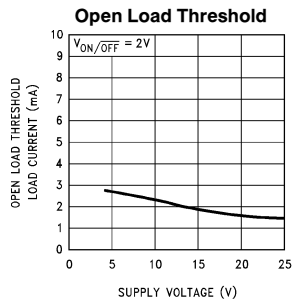
Note 4: Human body model, 100 pF discharged through a 1.5 kΩ resistor.

Typical Performance Characteristics



TL/H/9133-3

Error Flag Output Characteristics



TL/H/9133-13

Truth Table

Fault Condition	$V_{ON/OFF}^*$	V_{out}	Error Flag
Normal	L	L	H
	H	H	H
Overvoltage	L	L	L
	H	L	L
Thermal Shutdown	L	L	L
	H	L	L
V_{OUT} Short to GND	L	L	H
	H	L	L
V_{OUT} Short to V_{supply}	L	H	L
	H	H	L
Open Load	L	L	H
	H	H	L
Current Limit	L	L	H
	H	H	L

* L $\approx 0 \leq V_{ON/OFF} \leq 0.8V$ H $\approx 2V \leq V_{ON/OFF} \leq 26V$

Typical Applications

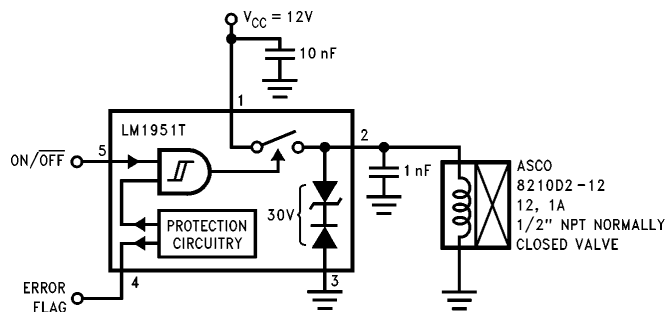


FIGURE 1. Solenoid Actuated Valve

TL/H/9133-4

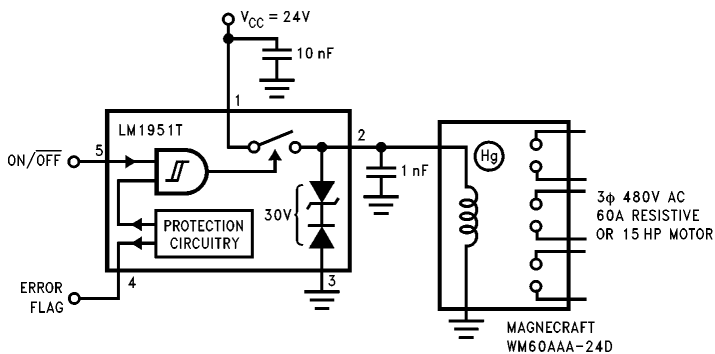
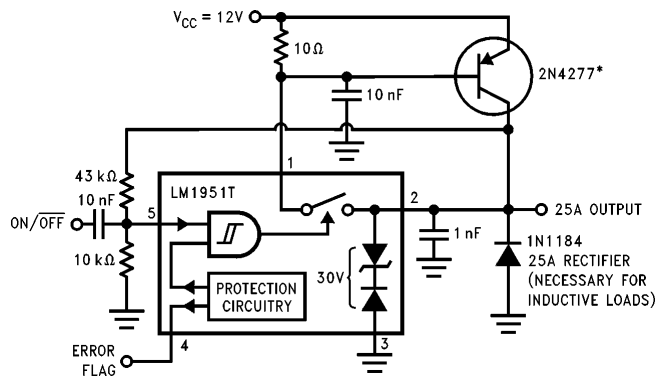


FIGURE 2. 60A 3-Phase Mercury Displacement Relay

TL/H/9133-5



* Available from Germanium Power Devices, Andover, MA, Tel. (617) 475-5982

FIGURE 3. 25A Switch with Short Circuit Foldback

TL/H/9133-6

Typical Applications (Continued)

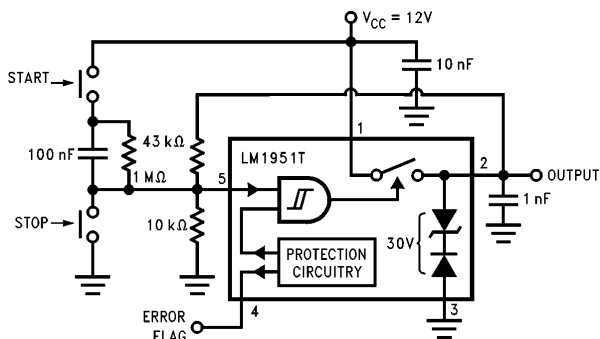


FIGURE 4. Latching Switch

TL/H/9133-7

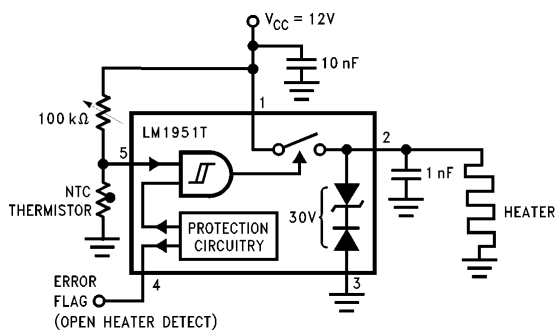


FIGURE 5. Temperature Controller with Hysteresis

TL/H/9133-8

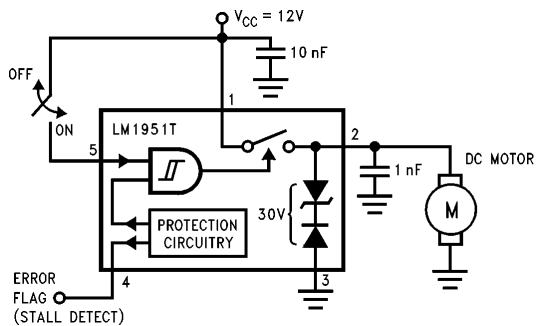


FIGURE 6. DC Motor Driver

TL/H/9133-9

Typical Applications (Continued)

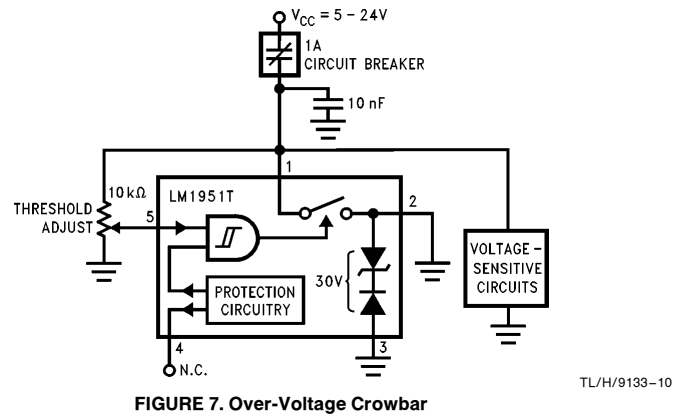
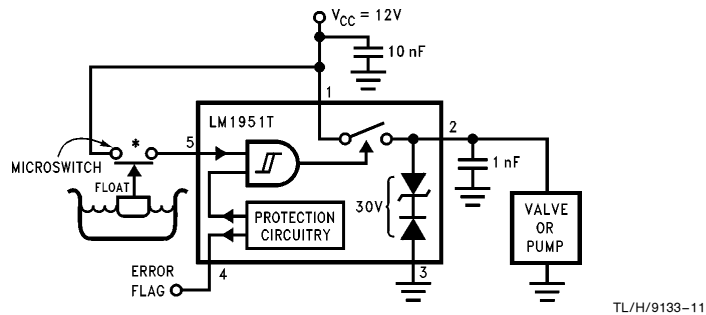


FIGURE 7. Over-Voltage Crowbar



Operation	Switch Type
Empty	Normally Open
Fill	Normally Closed

FIGURE 8. Fluid Level Controller

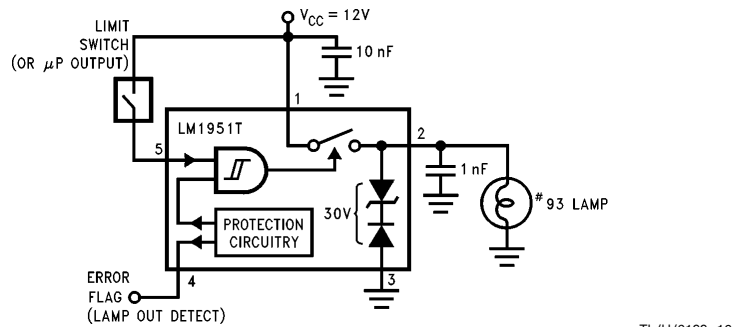


FIGURE 9. Indicator Lamp Driver

Application Hints

When inductive loads are turned OFF, they produce a negative voltage spike. The LM1951 contains a voltage clamp that limits these spikes to approximately -30V , thus an external clamp is not necessary in most applications.

Loads with an inductance of greater than 1H , driven to full output current, may damage the clamp simply by exceeding the power capabilities of the LM1951. An LM1951 can dissipate 25W continuous at 25°C ambient when mounted on a large heatsink. If the load current is limited to 800 mA , the sustained spike from an infinitely large inductance can be handled. Sustained spikes produced by higher currents and high inductances will exceed the 25W limit.

For inductances above 1H , care should be taken to see that the output current does not exceed a value that could damage the clamp. While 800 mA is acceptable for the device running at 25°C ambient on a heatsink, derate this current for smaller heatsinks or higher ambient temperatures to limit the junction temperature to 150°C . Alternatively, an external clamp or resonating capacitor can be added to handle any combination of load inductance, load current, and device temperature. This is especially important if the output current is boosted, such as the application shown in *Figure 3*. A peak power of 750W could be developed in the internal clamp if an inductive load is switched without external clamping.

Another case where the clamp's power capability may be exceeded is when driving a solenoid. The inductance of a solenoid is greatest when energized, with the plunger pulled in. As the plunger is pulled out of the solenoid, the inductance goes down. Under certain conditions of high solenoid inductance and fast mechanical time constants, the current may actually **increase** when the solenoid is turned OFF. Since the energy stored in an inductor cannot change instantaneously, the current must increase to conserve energy when the inductance decreases. This condition is traced by observing the load current with a current probe and storage oscilloscope.

Load capacitances larger than 1 nF will slow rise and fall times. Inductive loads having a capacitive component larger than 1 nF will also exhibit overshoot. Furthermore, ringing

may be evident in a combination inductive/capacitive load, or in an inductive load with supply decoupling capacitors in the range of 100 nF to $1\text{ }\mu\text{F}$. For fast rise and fall times and minimum ringing with inductive loads, a supply decoupling capacitor of 10 nF and an output capacitor of 1 nF is recommended. These should be located as close to the IC pins as possible.

The error flag is an open collector output that pulls low under certain fault conditions. These errors include overvoltage ($V_{\text{CC}} > 26\text{V}$), overcurrent ($I_{\text{OUT}} > 1.3\text{A}$), undercurrent ($I_{\text{OUT}} < 2\text{ mA}$), output short circuit to ground, output short circuit to supply, and junction temperature greater than 150°C . By connecting a $2\text{ k}\Omega$ resistor from the error flag output to a 5V supply a logic output to a microprocessor is provided.

The error flag can give seemingly false indications in a number of situations. Slewing large capacitive loads ($>100\text{ nF}$) can drive the LM1951 into temporary current limit, producing a momentary error indication. Incandescent lamps and DC motors require an inrush current that will also cause a temporary current limit and error indication. Large inductive loads ($>50\text{ mH}$) initially appear as open circuits, falsing the error flag. The error flag pulses for about $1\text{ }\mu\text{s}$ when any load is turned ON since the output is initially at ground. In microprocessor systems these false indications are easily ignored in software. In discrete logic circuits utilizing a latch at the error flag output, some filtering may be required.

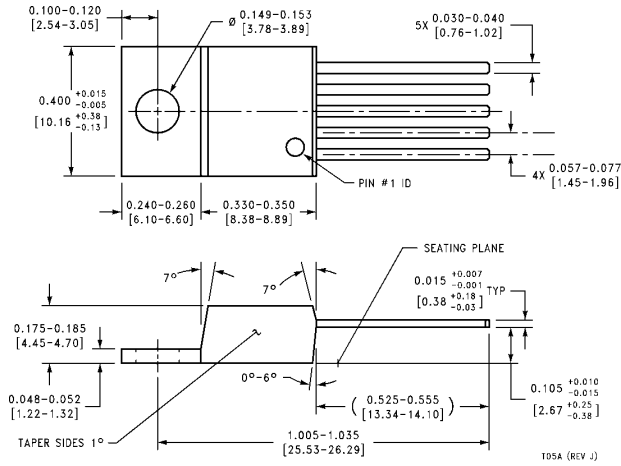
An internal current sink ($10\text{ }\mu\text{A}$ minimum) is connected to the input, pin 5. If this pin is left open it is guaranteed to pull low, switching the LM1951 OFF. This characteristic is important under certain fault conditions such as when the control line fails open circuit.

Although the input threshold has hysteresis, the switch points are derived from a very stable band-gap reference. In many applications, such as *Figures 5* and *7*, the LM1951 input can replace an external reference and comparator.

The input (pin 5) is clamped at -0.7V and includes a series resistance of approximately $30\text{ k}\Omega$. This pin tolerates negative inputs of up to 1 mA without affecting the performance of the chip.



Physical Dimensions inches (millimeters)



**Outline Drawing
Order Number LM1951T
NS Package Number T05A**

LIFE SUPPORT POLICY

NATIONAL'S PRODUCTS ARE NOT AUTHORIZED FOR USE AS CRITICAL COMPONENTS IN LIFE SUPPORT DEVICES OR SYSTEMS WITHOUT THE EXPRESS WRITTEN APPROVAL OF THE PRESIDENT OF NATIONAL SEMICONDUCTOR CORPORATION. As used herein:

1. Life support devices or systems are devices or systems which, (a) are intended for surgical implant into the body, or (b) support or sustain life, and whose failure to perform, when properly used in accordance with instructions for use provided in the labeling, can be reasonably expected to result in a significant injury to the user.
2. A critical component is any component of a life support device or system whose failure to perform can be reasonably expected to cause the failure of the life support device or system, or to affect its safety or effectiveness.



National Semiconductor Corporation
1111 West Bardin Road
Arlington, TX 76017
Tel: 1(800) 272-9959
Fax: 1(800) 737-7018

National Semiconductor Europe
Fax: (+49) 0-180-530 85 86
Email: cnjwge@tevm2.nsc.com
Deutsch Tel: (+49) 0-180-530 85 85
English Tel: (+49) 0-180-532 78 32
Français Tel: (+49) 0-180-532 93 58
Italiano Tel: (+49) 0-180-534 16 80

National Semiconductor Hong Kong Ltd.
19th Floor, Straight Block,
Ocean Centre, 5 Canton Rd.
Tsimshatsui, Kowloon
Hong Kong
Tel: (852) 2737-1600
Fax: (852) 2736-9960

National Semiconductor Japan Ltd.
Tel: 81-043-299-2309
Fax: 81-043-299-2408

National does not assume any responsibility for use of any circuitry described, no circuit patent licenses are implied and National reserves the right at any time without notice to change said circuitry and specifications.