

# LM5025

## Active Clamp Voltage Mode PWM Controller

### General Description

The LM5025 PWM controller contains all of the features necessary to implement power converters utilizing the Active Clamp / Reset technique. The device can be configured to control either a P-Channel clamp switch or an N-Channel clamp switch. With the active clamp technique, higher efficiencies and greater power densities can be realized compared to conventional catch winding or RDC clamp / reset techniques. Two control outputs are provided, the main power switch control (OUT\_A) and the active clamp switch control (OUT\_B). The active clamp output can be configured for either a guaranteed overlap time (for P-Channel switch applications) or a guaranteed deadtime (for N\_Channel applications). The two internal compound gate drivers parallel both MOS and Bipolar devices, providing superior gate drive characteristics. This controller is designed for high-speed operation including an oscillator frequency range up to 1MHz and total PWM and current sense propagation delays less than 100ns. The LM5025 includes a high-voltage start-up regulator that operates over a wide input range of 13V to 90V. Additional features include: Line Under Voltage Lockout (UVLO), softstart, oscillator UP/DOWN sync capability, precision reference and thermal shutdown.

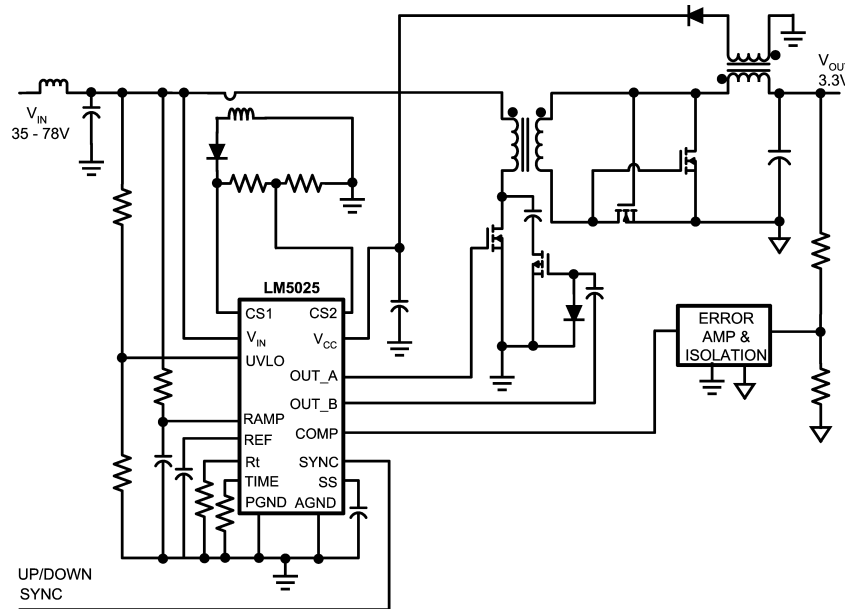
### Features

- Internal Start-up Bias Regulator
- 3A Compound Main Gate Driver
- Programmable Line Under-Voltage Lockout (UVLO) with Adjustable Hysteresis
- Voltage Mode Control with Feed-Forward
- Adjustable Dual Mode Over-Current Protection
- Programmable Overlap or Deadtime between the Main and Active Clamp Outputs
- Volt x Second Clamp
- Programmable Soft-start
- Leading Edge Blanking
- Single Resistor Programmable Oscillator
- Oscillator UP / DOWN Sync Capability
- Precision 5V Reference
- Thermal Shutdown

### Packages

- TSSOP-16
- LLP-16 (5x5 mm) Thermally Enhanced

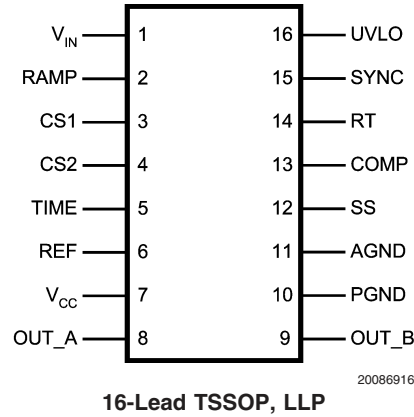
### Typical Application Circuit



Simplified Active Clamp Forward Power Converter

20086901

## Connection Diagram



## Ordering Information

Order Number	Package Type	NSC Package Drawing	Supplied As
LM5025MTC	TSSOP-16	MTC-16	92 Units per anti-static tube
LM5025MTCX	TSSOP-16	MTC-16	2500 Units on Tape and Reel
LM5025SD	LLP-16	SDA-16A	1000 Units on Tape and Reel
LM5025SDX	LLP-16	SDA-16A	4500 Units on Tape and Reel

## Pin Description

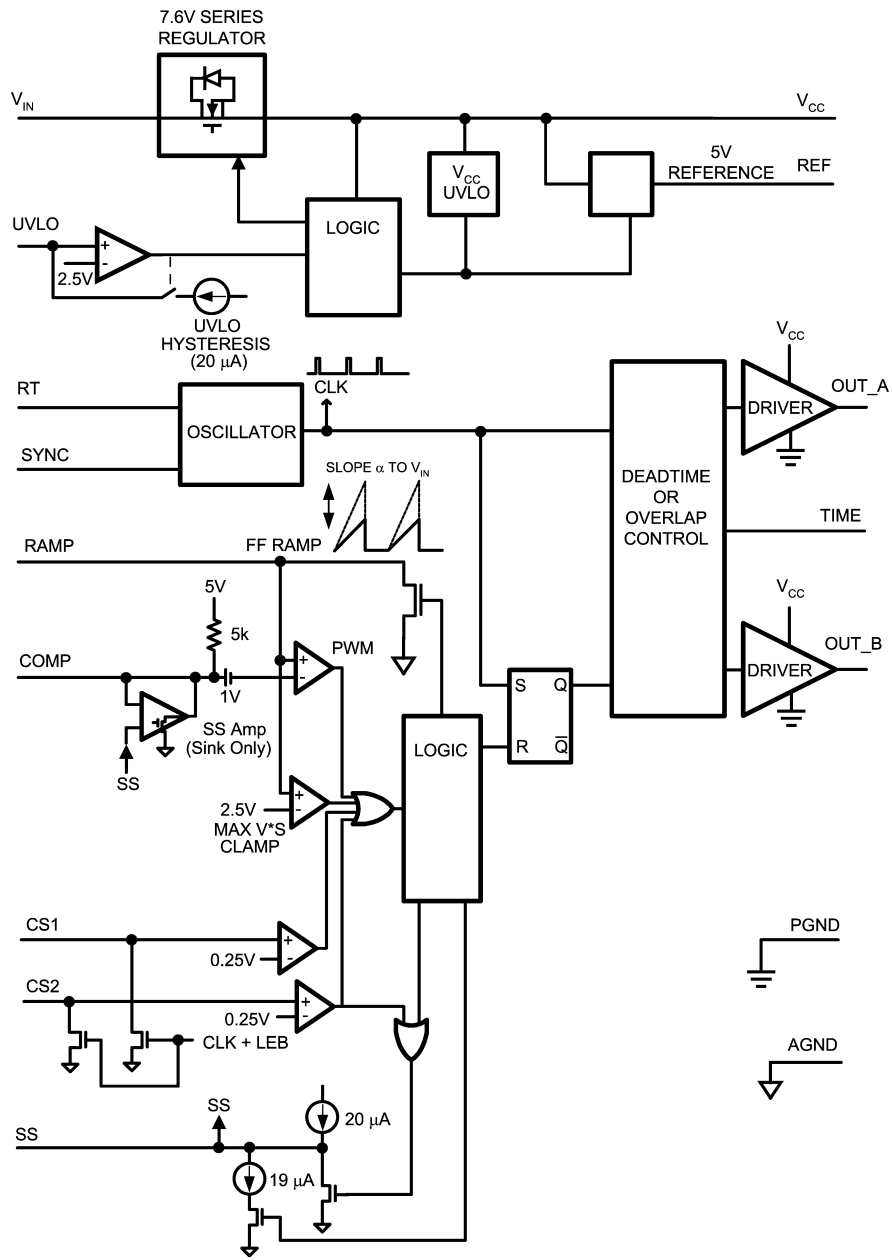
PIN	NAME	DESCRIPTION	APPLICATION INFORMATION
1	V <sub>IN</sub>	Source Input Voltage	Input to start-up regulator. Input range 13V to 90V, with transient capability to 100V.
2	RAMP	Modulator ramp signal	An external RC circuit from Vin sets the ramp slope. This pin is discharged at the conclusion of every cycle by an internal FET, initiated by either the internal clock or the V*Sec Clamp comparator.
3	CS1	Current sense input for cycle-by-cycle limiting	If CS1 exceeds 0.25V the outputs will go into Cycle-by-Cycle current limit. CS1 is held low for 50ns after OUT_A switches high providing leading edge blanking.
4	CS2	Current sense input for soft restart	If CS2 exceeds 0.25V the outputs will be disabled and a softstart commenced. The soft-start capacitor will be fully discharged and then released with a pull-up current of 1μA. After the first output pulse (when SS =1V), the SS charge current will revert back to 20μA. CS2 is held low for 50ns after OUT_A switches high, providing leading edge blanking.
5	TIME	Output overlap/Deadtime control	An external resistor (R <sub>SET</sub> ) sets either the overlap time or dead time for the active clamp output. An R <sub>SET</sub> resistor connected between TIME and GND produces in-phase OUT_A and OUT_B pulses with overlap. An R <sub>SET</sub> resistor connected between TIME and REF produces out-of-phase OUT_A and OUT_B pulses with deadtime.
6	REF	Precision 5 volt reference output	Maximum output current: 10mA Locally decouple with a 0.1μF capacitor. Reference stays low until the line UVLO and the V <sub>CC</sub> UV comparators are satisfied.

## Pin Description (Continued)

PIN	NAME	DESCRIPTION	APPLICATION INFORMATION
7	V <sub>CC</sub>	Output from the internal high voltage start-up regulator. The V <sub>CC</sub> voltage is regulated to 7.6V.	If an auxiliary winding raises the voltage on this pin above the regulation setpoint, the internal start-up regulator will shutdown, reducing the IC power dissipation.
8	OUT_A	Main output driver	Output of the main switch PWM output gate driver. Output capability of 3A peak sink current.
9	OUT_B	Active Clamp output driver	Output of the Active Clamp switch gate driver. Capable of 1.25A peak sink current..
10	PGND	Power ground	Connect directly to analog ground.
11	AGND	Analog ground	Connect directly to power ground. For the LLP package option the exposed pad is electrically connected to AGND.
12	SS	Soft-start control	An external capacitor and an internal 20μA current source set the softstart ramp. The SS current source is reduced to 1uA initially following a CS2 over-current event or an over temperature event.
13	COMP	Input to the Pulse Width Modulator	An internal 5KΩ resistor pull-up is provided on this pin. The external opto-coupler sinks current from COMP to control the PWM duty cycle.
14	RT	Oscillator timing resistor pin	An external resistor connected from RT to ground sets the internal oscillator frequency.
15	SYNC	Oscillator UP/DOWN synchronization input	The internal oscillator can be synchronized to an external clock with a frequency 20% lower than the internal oscillator's free running frequency. There is no constraint on the maximum sync frequency.
16	UVLO	Line Under-Voltage shutdown	An external voltage divider from the power source sets the shutdown comparator levels. The comparator threshold is 2.5V. Hysteresis is set by an internal current source (20μA) that is switched on or off as the UVLO pin potential crosses the 2.5V threshold.

# Block Diagram

Simplified Block Diagram



20086902

**Absolute Maximum Ratings** (Note 1)

If Military/Aerospace specified devices are required, please contact the National Semiconductor Sales Office/Distributors for availability and specifications.

$V_{IN}$ to GND	-0.3V to 100V
$V_{CC}$ to GND	-0.3V to 16V
CS1, CS2 to GND	-0.3 to 1.00V
All other inputs to GND	-0.3 to 7V
ESD Rating (Note 2)	
Human Body Model	2kV

Machine Model	200V
Storage Temperature Range	-55°C to 150°C
Junction Temperature	150°C

**Operating Ratings** (Note 1)

$V_{IN}$ Voltage	13 to 90V
External Voltage Applied to $V_{CC}$	8 to 15V
Operating Junction Temperature	-40°C to +125°C

**Electrical Characteristics**

Specifications with standard typeface are for  $T_J = 25^\circ\text{C}$ , and those with **boldface** type apply over full **Operating Junction Temperature range**.  $V_{IN} = 48\text{V}$ ,  $V_{CC} = 10\text{V}$ ,  $R_T = 31.3\text{k}\Omega$ ,  $R_{SET} = 27.4\text{k}\Omega$  unless otherwise stated (Note 3)

Symbol	Parameter	Conditions	Min	Typ	Max	Units
<b>Startup Regulator</b>						
$V_{CC}$ Reg	$V_{CC}$ Regulation	No Load	<b>7.3</b>	7.6	<b>7.9</b>	V
	$V_{CC}$ Current Limit	(Note 4)	<b>20</b>	25		mA
$I-V_{IN}$	Startup Regulator Leakage (external $V_{CC}$ Supply)	$V_{IN} = 100\text{V}$		165	<b>500</b>	$\mu\text{A}$
	Shutdown Current (lin)	UVLO = 0V		350	<b>450</b>	$\mu\text{A}$
<b><math>V_{CC}</math> Supply</b>						
	$V_{CC}$ Under-voltage Lockout Voltage (positive going $V_{CC}$ )		<b><math>V_{CC}</math> Reg - 220mV</b>	$V_{CC}$ Reg - 120mV		V
	$V_{CC}$ Under-voltage Hysteresis		<b>1.0</b>	1.5	<b>2.0</b>	V
	$V_{CC}$ Supply Current ( $I_{CC}$ )	$C_{gate} = 0$			<b>4.2</b>	mA
<b>Reference Supply</b>						
$V_{REF}$	Ref Voltage	$I_{REF} = 0$ mA	<b>4.85</b>	5	<b>5.15</b>	V
	Ref Voltage Regulation	$I_{REF} = 0$ to 10mA		25	<b>50</b>	mV
	Ref Current Limit		<b>10</b>	20		mA
<b>Current Limit</b>						
CS1 Prop	CS1 Delay to Output	CS1 Step from 0 to 0.4V Time to onset of OUT Transition (90%) $C_{gate} = 0$		40		ns
CS2 Prop	CS2 Delay to Output	CS2 Step from 0 to 0.4V Time to onset of OUT Transition (90%) $C_{gate} = 0$		50		ns
	Cycle by Cycle Threshold Voltage (CS1)		<b>0.22</b>	0.25	<b>0.28</b>	V
	Cycle Skip Threshold Voltage (CS2)	Resets SS capacitor; auto restart	<b>0.22</b>	0.25	<b>0.28</b>	V
	Leading Edge Blanking Time			50		ns
	CS Sink Impedance (clocked)	$I_{CS} = 10\text{mA}$		30	<b>50</b>	$\Omega$

**Electrical Characteristics** (Continued)

Specifications with standard typeface are for  $T_J = 25^\circ\text{C}$ , and those with **boldface** type apply over full **Operating Junction Temperature range**.  $V_{IN} = 48\text{V}$ ,  $V_{CC} = 10\text{V}$ ,  $R_T = 31.3\text{k}\Omega$ ,  $R_{SET} = 27.4\text{k}\Omega$  unless otherwise stated (Note 3)

Symbol	Parameter	Conditions	Min	Typ	Max	Units
<b>Soft-Start</b>						
	Soft-start Current Source Normal		<b>17</b>	22	<b>27</b>	$\mu\text{A}$
	Soft-start Current Source following a CS2 event		<b>0.5</b>	1	<b>1.5</b>	$\mu\text{A}$
<b>Oscillator</b>						
	Frequency1	$T_A = 25^\circ\text{C}$ $T_J = T_{low}$ to $T_{high}$	180 <b>175</b>	200	220 <b>225</b>	kHz
	Frequency2	$R_T = 10.4\text{k}\Omega$	<b>500</b>	580	<b>660</b>	kHz
	Sync threshold			2		V
	Min Sync Pulse Width				<b>100</b>	ns
	Sync Frequency Range		<b>160</b>			kHz
<b>PWM Comparator</b>						
	Delay to Output	COMP step 5V to 0V Time to onset of OUT_A transition low		40		ns
	Duty Cycle Range		<b>0</b>		<b>80</b>	%
	COMP to PWM Offset		<b>0.7</b>	1	<b>1.3</b>	V
	COMP Open Circuit Voltage		<b>4.3</b>		<b>5.9</b>	V
	COMP Short Circuit Current	COMP = 0V	<b>0.6</b>	1	<b>1.4</b>	mA
<b>Volt x Second Clamp</b>						
	Ramp Clamp Level	Delta RAMP measured from onset of OUT_A to Ramp peak. COMP = 5V	<b>2.4</b>	2.5	<b>2.6</b>	V
<b>UVLO Shutdown</b>						
	Undervoltage Shutdown Threshold		<b>2.44</b>	2.5	<b>2.56</b>	V
	Undervoltage Shutdown Hysteresis		<b>16</b>	20	<b>24</b>	$\mu\text{A}$
<b>Output Section</b>						
	OUT_A High Saturation	MOS Device @ $I_{out} = -10\text{mA}$ ,		5	<b>10</b>	$\Omega$
	OUTPUT_A Peak Current Sink	Bipolar Device @ $V_{CC}/2$		3		A
	OUT_A Low Saturation	MOS Device @ $I_{out} = 10\text{mA}$ ,		6	<b>9</b>	$\Omega$
	OUTPUT_A Rise Time	$C_{gate} = 2.2\text{nF}$		20		ns
	OUTPUT_A Fall Time	$C_{gate} = 2.2\text{nF}$		15		ns
	OUT_B High Saturation	MOS Device @ $I_{out} = -10\text{mA}$ ,		10	<b>20</b>	$\Omega$
	OUTPUT_B Peak Current Sink	Bipolar Device @ $V_{CC}/2$		1		A
	OUT_B Low Saturation	MOS Device @ $I_{out} = 10\text{mA}$ ,		12	<b>18</b>	$\Omega$
	OUTPUT_B Rise Time	$C_{gate} = 1\text{nF}$		20		ns

## Electrical Characteristics (Continued)

Specifications with standard typeface are for  $T_J = 25^\circ\text{C}$ , and those with **boldface** type apply over full **Operating Junction Temperature range**.  $V_{IN} = 48\text{V}$ ,  $V_{CC} = 10\text{V}$ ,  $R_T = 31.3\text{k}\Omega$ ,  $R_{SET} = 27.4\text{k}\Omega$  unless otherwise stated (Note 3)

Symbol	Parameter	Conditions	Min	Typ	Max	Units
	OUTPUT_B Fall Time	$C_{gate} = 1\text{nF}$		15		ns
<b>Output Timing Control</b>						
	Overlap Time	$R_{SET} = 38\text{ k}\Omega$ connected to GND, 50% to 50% transitions	<b>75</b>	105	<b>135</b>	ns
	Deadtime	$R_{SET} = 29.5\text{ k}\Omega$ connected to REF, 50% to 50% transitions	<b>75</b>	105	<b>135</b>	ns
<b>Thermal Shutdown</b>						
$T_{SD}$	Thermal Shutdown Threshold			165		$^\circ\text{C}$
	Thermal Shutdown Hysteresis			25		$^\circ\text{C}$
<b>Thermal Resistance</b>						
$\theta_{JA}$	Junction to Ambient	MTC Package		125		$^\circ\text{C/W}$
		SDA Package		32		$^\circ\text{C/W}$

**Note 1:** Absolute Maximum Ratings are limits beyond which damage to the device may occur. Operating Ratings are conditions under which operation of the device is intended to be functional. For guaranteed specifications and test conditions, see the Electrical Characteristics.

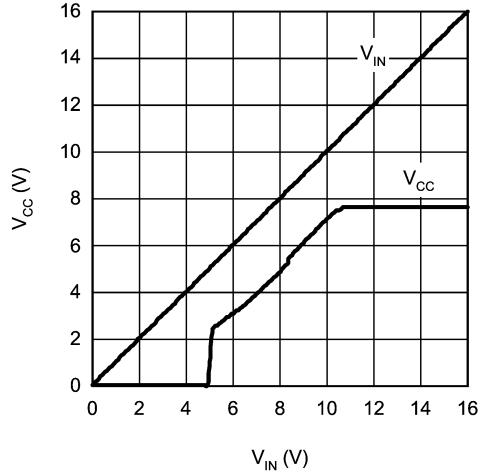
**Note 2:** For detailed information on soldering plastic TSSOP and LLP packages, refer to the Packaging Data Book available from National Semiconductor Corporation.

**Note 3:** All limits are guaranteed. All electrical characteristics having room temperature limits are tested during production with  $T_A = T_J = 25^\circ\text{C}$ . All hot and cold limits are guaranteed by correlating the electrical characteristics to process and temperature variations and applying statistical process control.

**Note 4:** Device thermal limitations may limit usable range.

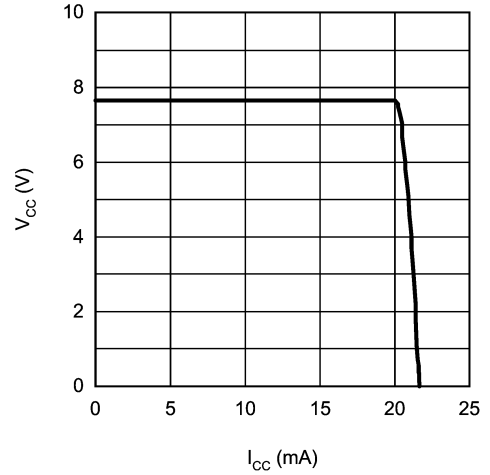
# Typical Performance Characteristics

**V<sub>CC</sub> Regulator Start-up Characteristics, V<sub>CC</sub> vs Vin**



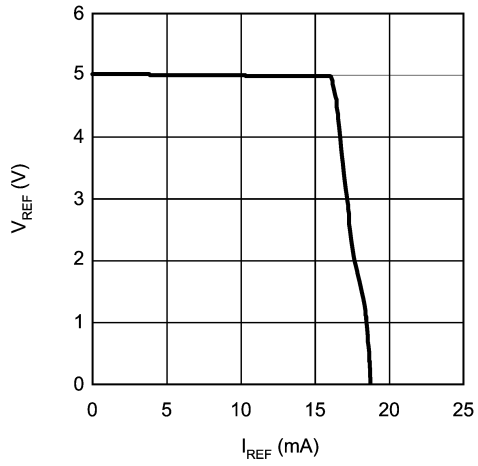
20086903

**V<sub>CC</sub> vs I<sub>CC</sub>**



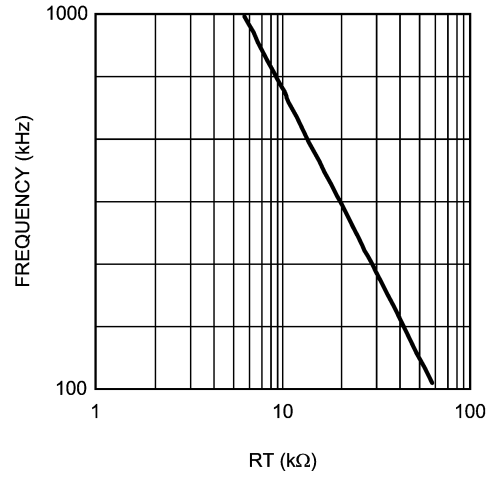
20086904

**V<sub>REF</sub> vs I<sub>REF</sub>**



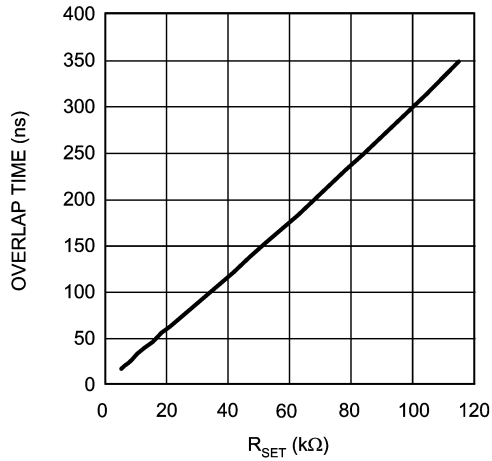
20086905

**Oscillator Frequency vs RT**



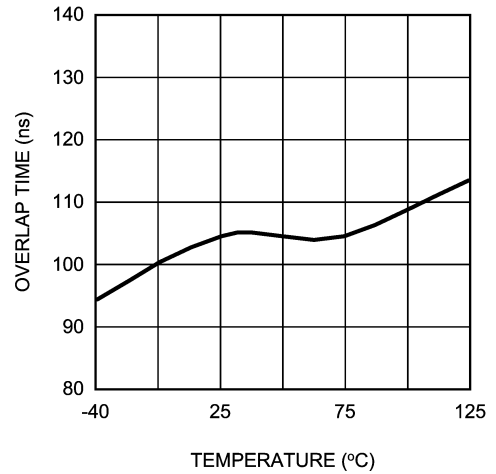
20086906

**Overlap Time vs R<sub>SET</sub>**



20086907

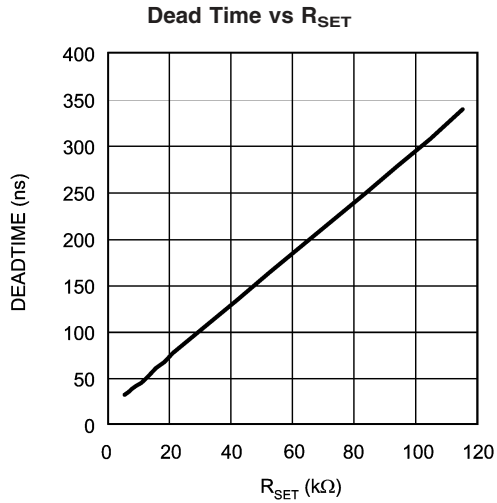
**Overlap Time vs Temperature  
R<sub>SET</sub> = 38K**



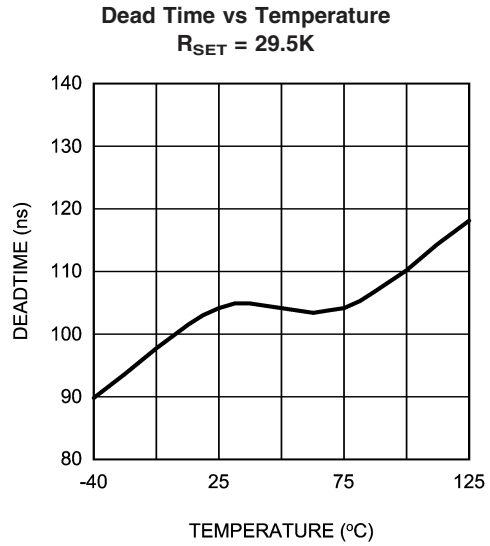
20086908



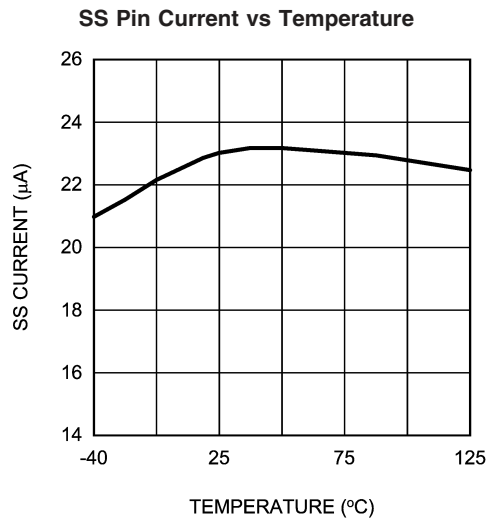
Typical Performance Characteristics (Continued)



20086909



20086910



20086911

## Detailed Operating Description

The LM5025 PWM controller contains all of the features necessary to implement power converters utilizing the Active Clamp Reset technique. The device can be configured to control either a P-Channel clamp switch or an N-Channel clamp switch. With the active clamp technique higher efficiencies and greater power densities can be realized compared to conventional catch winding or RDC clamp / reset techniques. Two control outputs are provided, the main power switch control (OUT\_A) and the active clamp switch control (OUT\_B). The active clamp output can be configured for either a guaranteed overlap time (for P-Channel switch applications) or a guaranteed dead time (for N-Channel applications). The two internal compound gate drivers parallel both MOS and Bipolar devices, providing superior gate drive characteristics. This controller is designed for high-speed operation including an oscillator frequency range up to 1MHz and total PWM and current sense propagation delays less than 100ns. The LM5025 includes a high-voltage start-up regulator that operates over a wide input range of 13V to 90V. Additional features include: Line Under Voltage Lockout (UVLO), softstart, oscillator UP/DOWN sync capability, precision reference and thermal shutdown.

### High Voltage Start-Up Regulator

The LM5025 contains an internal high voltage start-up regulator that allows the input pin ( $V_{IN}$ ) to be connected directly to the line voltage. The regulator output is internally current limited to 20mA. When power is applied, the regulator is enabled and sources current into an external capacitor connected to the  $V_{CC}$  pin. The recommended capacitance range for the  $V_{CC}$  regulator is 0.1 $\mu$ F to 100 $\mu$ F. When the voltage on the  $V_{CC}$  pin reaches the regulation point of 7.6V and the internal voltage reference (REF) reaches its regulation point of 5V, the controller outputs are enabled. The outputs will remain enabled until  $V_{CC}$  falls below 6.2V or the line Under Voltage Lock Out detector indicates that  $V_{IN}$  is out of range. In typical applications, an auxiliary transformer winding is connected through a diode to the  $V_{CC}$  pin. This winding must raise the  $V_{CC}$  voltage above 8V to shut off the internal start-up regulator. Powering  $V_{CC}$  from an auxiliary winding improves efficiency while reducing the controller power dissipation.

The external  $V_{CC}$  capacitor must be sized such that the capacitor and  $V_{CC}$  self-bias will maintain a  $V_{CC}$  voltage greater than 6.2V during the initial start-up. During a fault mode when the converter auxiliary winding is inactive, external current draw on the  $V_{CC}$  line should be limited so the power dissipated in the start-up regulator does not exceed the maximum power dissipation of the controller.

An external start-up regulator or other bias rail can be used instead of the internal start-up regulator by connecting the  $V_{CC}$  and the  $V_{IN}$  pins together and feeding the external bias voltage into the two pins.

### Line Under-Voltage Detector

The LM5025 contains a line Under Voltage Lock Out (UVLO) circuit. An external set-point voltage divider from  $V_{in}$  to GND, sets the operational range of the converter. The divider must be designed such that the voltage at the UVLO pin will be greater than 2.5V when  $V_{in}$  is in the desired operating range. If the undervoltage threshold is not met, all functions of the controller are disabled and the controller remains in a low power standby state. UVLO hysteresis is accomplished with an internal 20 $\mu$ A current source that is switched on or off into the impedance of the set-point divider. When the UVLO threshold is exceeded, the current source is activated to instantly raise the voltage at the UVLO pin. When the UVLO pin voltage falls below the 2.5V threshold, the current source is turned off causing the voltage at the UVLO pin to fall. The UVLO pin can also be used to implement a remote enable / disable function. Pulling the UVLO pin below the 2.5V threshold disables the converter.

### PWM Outputs

The relative phase of the main (OUT\_A) and active clamp outputs (OUT\_B) can be configured for the specific application. For active clamp configurations utilizing a ground referenced P-Channel clamp switch, the two outputs should be in phase with the active clamp output overlapping the main output. For active clamp configurations utilizing a high side N-Channel switch, the active clamp output should be out of phase with main output and there should be a dead time between the two gate drive pulses. A distinguishing feature of the LM5025 is the ability to accurately configure either dead time (both off) or overlap time (both on) of the gate driver outputs. The overlap / deadtime magnitude is controlled by the resistor value connected to the TIME pin of the controller. The opposite end of the resistor can be connected to either REF for deadtime control or GND for overlap control. The internal configuration detector senses the connection and configures the phase relationship of the main and active clamp outputs. The magnitude of the overlap/dead time can be calculated as follows:

$$\text{Overlap Time (ns)} = 2.8 \times R_{SET} - 1.2$$

$$\text{Dead Time (ns)} = 2.9 \times R_{SET} + 20$$

$R_{SET}$  in k $\Omega$ , Time in ns

## PWM Outputs (Continued)

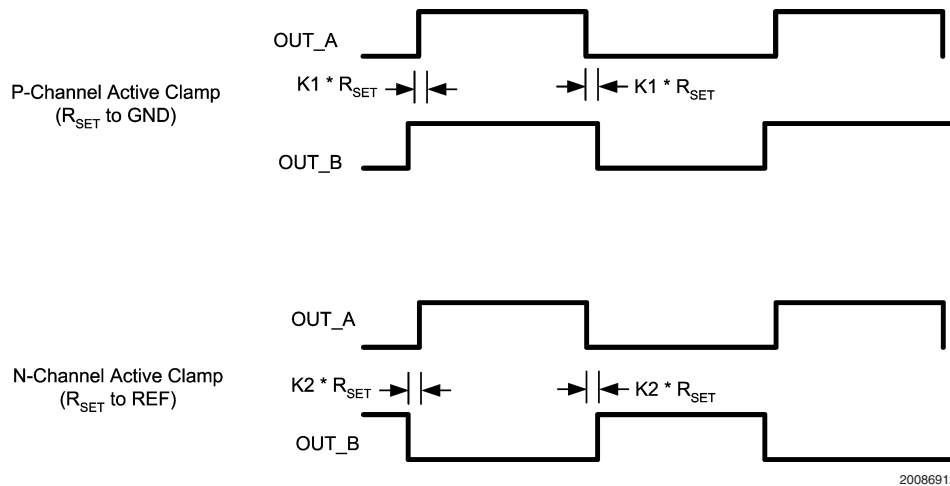
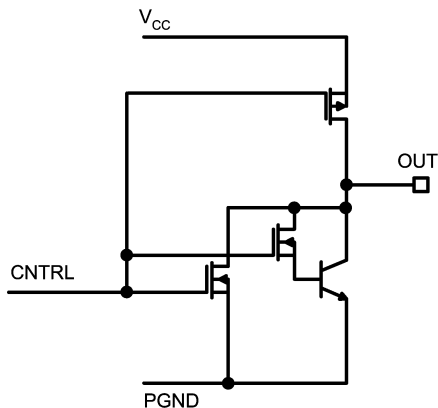


FIGURE 1.

## Compound Gate Drivers

The LM5025 contains two unique compound gate drivers, which parallel both MOS and Bipolar devices to provide high drive current throughout the entire switching event. The Bipolar device provides most of the drive current capability and provides a relatively constant sink current which is ideal for driving large power MOSFETs. As the switching event nears conclusion and the Bipolar device saturates, the internal MOS device continues to provide a low impedance to complete the switching event.

During turn-off at the Miller plateau region, typically around 2V - 3V, is where gate driver current capability is needed most. The resistive characteristics of all MOS gate drivers are adequate for turn-on since the supply to output voltage differential is fairly large at the Miller region. During turn-off however, the voltage differential is small and the current source characteristic of the Bipolar gate driver is beneficial to provide fast drive capability.



## PWM Comparator

The PWM comparator compares the ramp signal (RAMP) to the loop error signal (COMP). This comparator is optimized for speed in order to achieve minimum controllable duty cycles. The internal 5kΩ pull-up resistor, connected between

the internal 5V reference and COMP, can be used as the pull-up for an optocoupler. The comparator polarity is such that 0V on the COMP pin will produce a zero duty cycle on both gate driver outputs.

## Volt Second Clamp

The Volt x Second Clamp comparator compares the ramp signal (RAMP) to a fixed 2.5V reference. By proper selection of R<sub>FF</sub> and C<sub>FF</sub>, the maximum ON time of the main switch can be set to the desired duration. The ON time set by Volt x Second Clamp varies inversely with the line voltage because the RAMP capacitor is charged by a resistor connected to V<sub>in</sub> while the threshold of the clamp is a fixed voltage (2.5V). An example will illustrate the use of the Volt x Second Clamp comparator to achieve a 50% duty cycle limit, at 200KHz, at a 48V line input: A 50% duty cycle at a 200KHz requires a 2.5μs of ON time. At 48V input the Volt x Second product is 120V x μs (48V x 2.5μs). To achieve this clamp level:

$$R_{FF} \times C_{FF} = V_{IN} \times T_{ON} / 2.5V$$

$$48 \times 2.5\mu / 2.5 = 48\mu$$

Select C<sub>FF</sub> = 470pF

R<sub>FF</sub> = 102kΩ

The recommended capacitor value range for C<sub>FF</sub> is 100pF to 1000pF.

The C<sub>FF</sub> ramp capacitor is discharged at the conclusion of every cycle by an internal discharge switch controlled by either the internal clock or by the V x S Clamp comparator, whichever event occurs first.

## Current Limit

The LM5025 contains two modes of over-current protection. If the sense voltage at the CS1 input exceeds 0.25V the present power cycle is terminated (cycle-by-cycle current limit). If the sense voltage at the CS2 input exceeds 0.25V, the controller will terminate the present cycle, discharge the softstart capacitor and reduce the softstart current source to 1μA. The softstart (SS) capacitor is released after being fully discharged and slowly charges with a 1μA current source. When the voltage at the SS pin reaches approximately 1V,

## Current Limit (Continued)

the PWM comparator will produce the first output pulse at OUT\_A. After the first pulse occurs, the softstart current source will revert to the normal 20µA level. Fully discharging and then slowly charging the SS capacitor protects a continuously over-loaded converter with a low duty cycle hiccup mode.

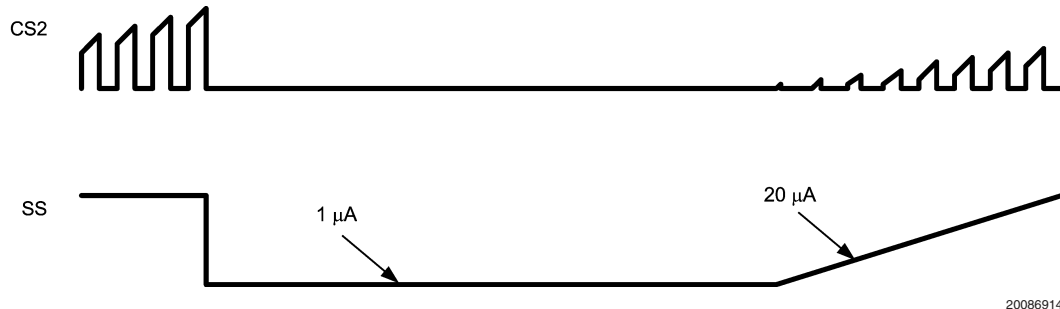
These two modes of over-current protection allow the user great flexibility to configure the system behavior in over-load conditions. If it is desired for the system to act as a current source during an over-load, then the CS1 cycle-by-cycle current limiting should be used. In this case the current sense signal should be applied to the CS1 input and the CS2 input should be grounded. If during an overload condition it is desired for the system to briefly shutdown, followed by soft-start retry, then the CS2 hiccup current limiting mode should be used. In this case the current sense signal should be applied to the CS2 input and the CS1 input should be grounded. This shutdown / soft-start retry will repeat indefinitely while the over-load condition remains. The hiccup mode will greatly reduce the thermal stresses to the system during heavy overloads. The cycle-by-cycle mode will have higher system thermal dissipations during heavy overloads, but provides the advantage of continuous operation for short duration overload conditions.

In some systems it is possible utilize both modes concurrently, whereby slight overload conditions activate the CS1 cycle-by cycle mode while more severe overloading activates the CS2 hiccup mode. Operating both modes concurrently, requires that the slope of the inductor current be

sufficient to reach the CS2 threshold before the CS1 function turns off the main output switch. This requires a high dv/dt at the current sense pin. The signal must be fast enough to reach the second level threshold before the first threshold detector (CS1) turns off the gate driver. Excessive filtering on the CS pin, an extremely low value current sense resistor or an inductor that does not saturate with excessive loading may prevent the second level threshold from ever being reached.

A small RC filter, located near the controller, is recommended for each of the CS pins. Each CS input has an internal FET which discharges the current sense filter capacitor at the conclusion of every cycle, to improve dynamic performance. This same FET remains on an additional 50ns at the start of each main switch cycle to attenuate the leading edge spike in the current sense signal.

The LM5025 CS comparators are very fast and may respond to short duration noise pulses. Layout considerations are critical for the current sense filter and sense resistor. The capacitor associated with the CS filter must be placed very close to the device and connected directly to the pins of the IC (CS and GND). If a current sense transformer is used, both leads of the transformer secondary should be routed to the filter network, which should be located close to the IC. If a sense resistor in the source of the main switch MOSFET is used for current sensing, a low inductance type of resistor is required. When designing with a current sense resistor, all of the noise sensitive low power ground connections should be connected together near the IC GND and a single connection should be made to the power ground (sense resistor ground point).



## Oscillator and Sync Capability

The LM5025 oscillator is set by a single external resistor connected between the RT pin and GND. To set a desired oscillator frequency (F), the necessary RT resistor can be calculated from:

$$RT = (5725/F)^{1.026}$$

where F is in kHz and RT in kΩ.

The RT resistor should be located very close to the device and connected directly to the pins of the IC (RT and GND). A unique feature of LM5025 is the ability to synchronize the oscillator to an external clock with a frequency that is either higher or lower than the frequency of the internal oscillator. The lower frequency sync frequency range is 80% of the free running internal oscillator frequency. There is no constraint on the maximum SYNC frequency. A minimum pulse width of 100ns is required for the synchronization clock. If the synchronization feature is not required, the SYNC pin should be connected to GND to prevent any abnormal interference. The internal oscillator can be completely disabled by connecting the RT pin to REF. Once disabled, the sync signal

will act directly as the master clock for the controller. Both the frequency and the maximum duty cycle of the PWM controller can be controlled by the SYNC signal (within the limitations of the Volt x Second Clamp). The maximum duty cycle (D) will be (1-D) of the SYNC signal.

## Feed-Forward Ramp

An external resistor ( $R_{FF}$ ) and capacitor ( $C_{FF}$ ) connected to  $V_{IN}$  and GND are required to create the PWM ramp signal. The slope of the signal at the RAMP pin will vary in proportion to the input line voltage. This varying slope provides line feedforward information necessary to improve line transient response with voltage mode control. The RAMP signal is compared to the error signal at the COMP pin by the pulse width modulator comparator to control the duty cycle of the main switch output. The Volt Second Clamp comparator also monitors the RAMP pin and if the ramp amplitude exceeds 2.5V the present cycle is terminated. The ramp signal is reset to GND at the end of each cycle by either the internal clock or the Volt Second comparator, whichever occurs first.

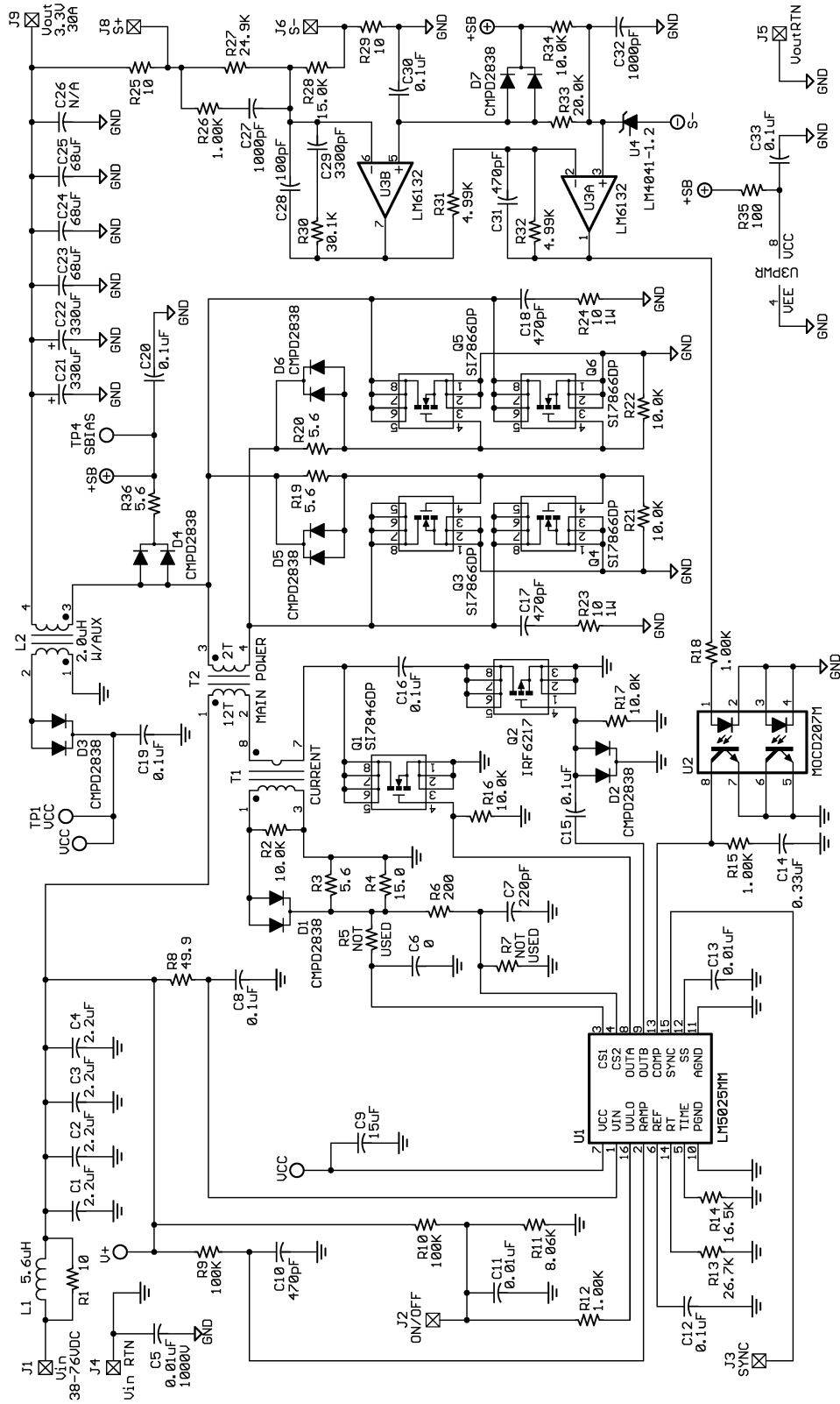
## Soft-start

The softstart feature allows the power converter to gradually reach the initial steady state operating point, thus reducing start-up stresses and surges. At power on, a 20 $\mu$ A current is sourced out of the softstart pin (SS) into an external capacitor. The capacitor voltage will ramp up slowly and will limit the COMP pin voltage and therefore the PWM duty cycle. In the event of a fault as determined by  $V_{CC}$  undervoltage, line undervoltage (UVLO) or second level current limit, the output gate drivers are disabled and the softstart capacitor is fully discharged. When the fault condition is no longer present a softstart sequence will be initiated. Following a second level current limit detection (CS2), the softstart current source is reduced to 1 $\mu$ A until the first output pulse is generated by the PWM comparator. The current source returns to the nominal 20 $\mu$ A level after the first output pulse ( $\sim$ 1V at the SS pin).

## Thermal Protection

Internal Thermal Shutdown circuitry is provided to protect the integrated circuit in the event the maximum junction temperature is exceeded. When activated, typically at 165°C, the controller is forced into a low power standby state with the output drivers and the bias regulator disabled. The device will restart after the thermal hysteresis (typically 25°C). During a restart after thermal shutdown, the softstart capacitor will be fully discharged and then charged in the low current mode (1 $\mu$ A) similar to a second level current limit event. The thermal protection feature is provided to prevent catastrophic failures from accidental device overheating.

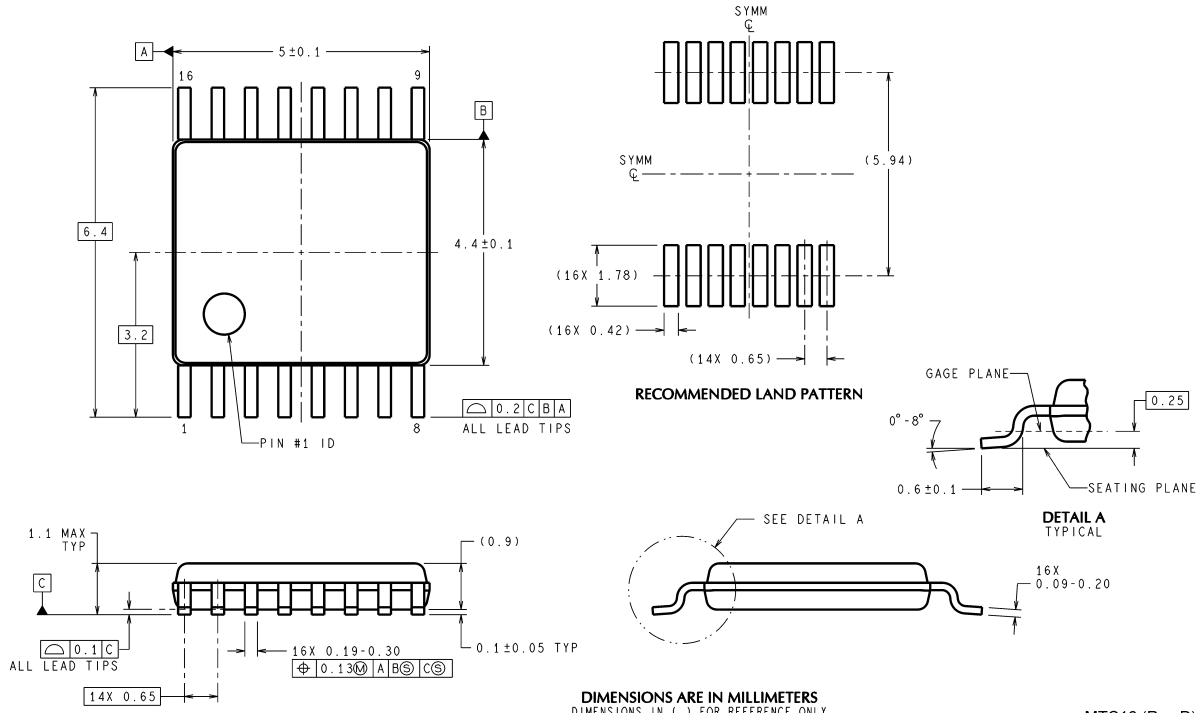
### Application Circuit: Input 36-78V, Output 3.3V, 30A



20086917

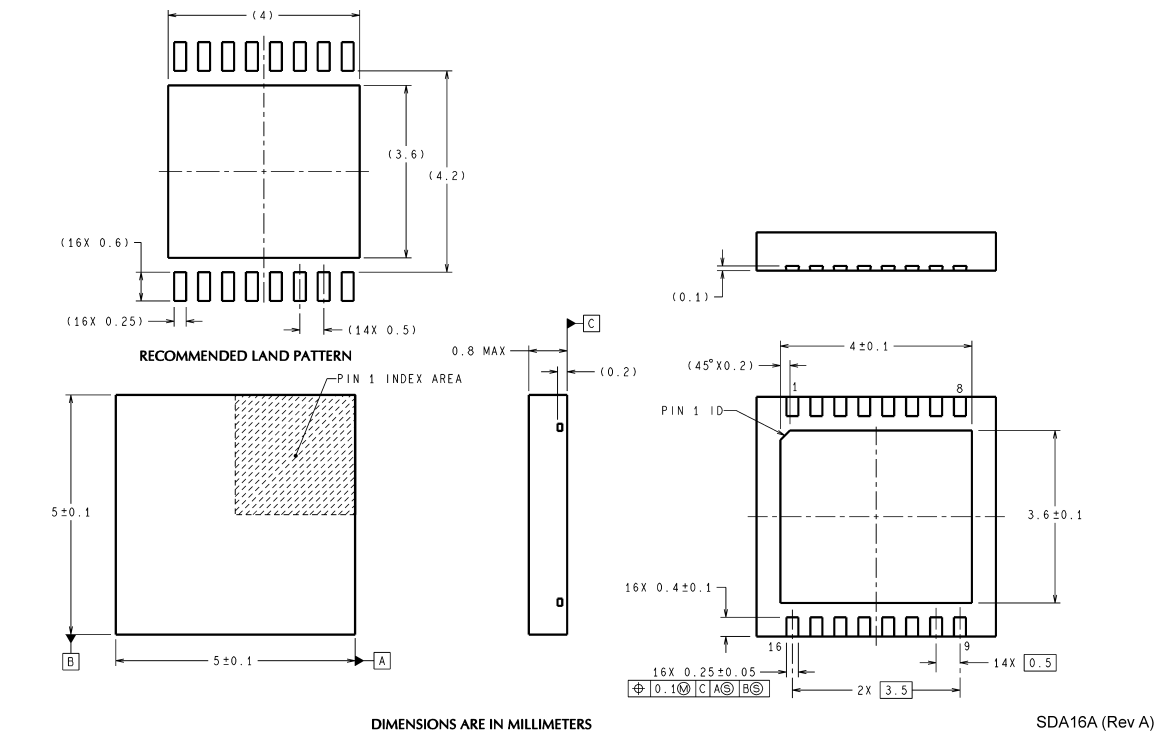
# Physical Dimensions inches (millimeters)

unless otherwise noted



MTC16 (Rev D)

## Molded TSSOP-16 NS Package Number MTC16



SDA16A (Rev A)

Note: It is recommended that the exposed pad be connected to Pin 11 (AGND)

## 16-Lead LLP Surface Mount Package NS Package Number SDA16A

## Notes

### LIFE SUPPORT POLICY

NATIONAL'S PRODUCTS ARE NOT AUTHORIZED FOR USE AS CRITICAL COMPONENTS IN LIFE SUPPORT DEVICES OR SYSTEMS WITHOUT THE EXPRESS WRITTEN APPROVAL OF THE PRESIDENT AND GENERAL COUNSEL OF NATIONAL SEMICONDUCTOR CORPORATION. As used herein:

1. Life support devices or systems are devices or systems which, (a) are intended for surgical implant into the body, or (b) support or sustain life, and whose failure to perform when properly used in accordance with instructions for use provided in the labeling, can be reasonably expected to result in a significant injury to the user.
2. A critical component is any component of a life support device or system whose failure to perform can be reasonably expected to cause the failure of the life support device or system, or to affect its safety or effectiveness.

### BANNED SUBSTANCE COMPLIANCE

National Semiconductor certifies that the products and packing materials meet the provisions of the Customer Products Stewardship Specification (CSP-9-111C2) and the Banned Substances and Materials of Interest Specification (CSP-9-111S2) and contain no "Banned Substances" as defined in CSP-9-111S2.



**National Semiconductor**  
**Americas Customer**  
**Support Center**  
 Email: [new.feedback@nsc.com](mailto:new.feedback@nsc.com)  
 Tel: 1-800-272-9959

[www.national.com](http://www.national.com)

**National Semiconductor**  
**Europe Customer Support Center**  
 Fax: +49 (0) 180-530 85 86  
 Email: [europa.support@nsc.com](mailto:europa.support@nsc.com)  
 Deutsch Tel: +49 (0) 69 9508 6208  
 English Tel: +44 (0) 870 24 0 2171  
 Français Tel: +33 (0) 1 41 91 8790

**National Semiconductor**  
**Asia Pacific Customer**  
**Support Center**  
 Email: [ap.support@nsc.com](mailto:ap.support@nsc.com)

**National Semiconductor**  
**Japan Customer Support Center**  
 Fax: 81-3-5639-7507  
 Email: [jpn.feedback@nsc.com](mailto:jpn.feedback@nsc.com)  
 Tel: 81-3-5639-7560