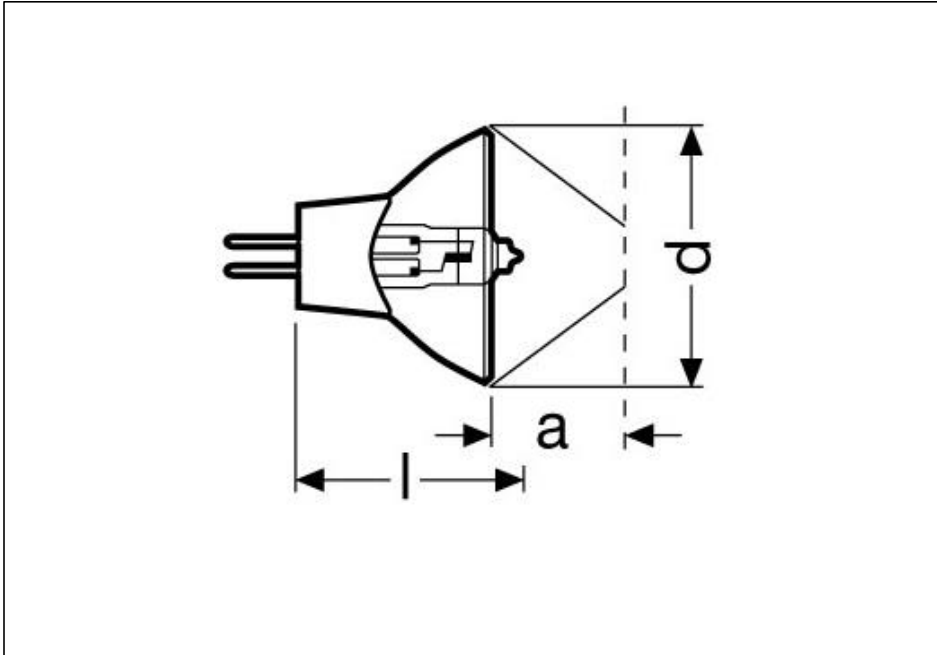


# Product Information Bulletin

## FLT

### Low Voltage Tungsten Halogen MR11 Rim Mount Lamp



#### FLT

#### (NAED 54440)

#### Low Voltage Tungsten Halogen MR11 Rim Mount Lamp

- T2.5 clear quartz glass halogen capsule
- Long service life (500 hrs)
- Dichroic coated
  - High expansion reflector
  - Uniform reflected image for accurate working distance

#### Technical Data

<b>Lamp / order reference</b> (Product ordering number)	<b>FLT</b> (54440)
<b>Electrical data:</b>	
Rated lamp wattage (power)	25 W
Rated lamp voltage	13.8 V
<b>Photometric data:</b>	
Luminous flux	Depends on application
Color temperature	3,200 K
<b>Geometrical data:</b>	
Length (l)	27.5 mm
Working distance (a)	187.3 mm
Diameter (d)	35 mm
<b>Other data:</b>	
Average service life	500 hrs
Base	GZ4
Bulb	MR11 using T2.5/capsule
<b>Operating limits:</b>	
max. bulb temperature	1,000 °C
min. bulb temperature	250 °C
max. seal temperature	350 °C
Operating position	any

#### Application Information

##### Applications

- Video camera
- Projector (overhead / slide)
- Microscope
- Microfilm
- Fiber-optics

##### WARNING

The lamp emits ultraviolet (uv) radiation and operates at high internal pressure.

**Before use** read the complete warning accompanying the product.

##### Disposal

When disposing of spent lamps, always consult federal, state, local and provincial hazardous waste disposal rules and regulations to ensure proper disposal.

# OSRAM

## Ordering Information

Lamp Description	NAED Code	Standard Case Quantity
FLT	54440	24/case

For Orders and  
General Information:  
**OSRAM SYLVANIA**  
**National Customer**  
**Support Center**  
18725 N. Union Street  
Westfield, IN 46074

**Photo-Optic**  
Phone: 1-888-677-2627  
Phone: 1-888-OSRAMCS  
Fax: 1-800-762-7192

**Special Markets**  
Phone: 1-800-762-7191  
Fax: 1-800-762-7192

**Industrial and Commercial**  
Phone: 1-800-255-5042  
Fax: 1-800-255-5043

**In Canada**  
**OSRAM SYLVANIA LTD.**  
Headquarters  
2001 Drew Road  
Mississauga, ON L5S 1S4

**Industrial and Commercial**  
Phone: 1-800-263-2852  
Fax: 1-800-667-6772

**Special Markets**  
Phone: 1-800-265-2852  
Fax: 1-800-667-6772

Visit our website: [www.sylvania.com](http://www.sylvania.com)

**OSRAM**  
**SYLVANIA**