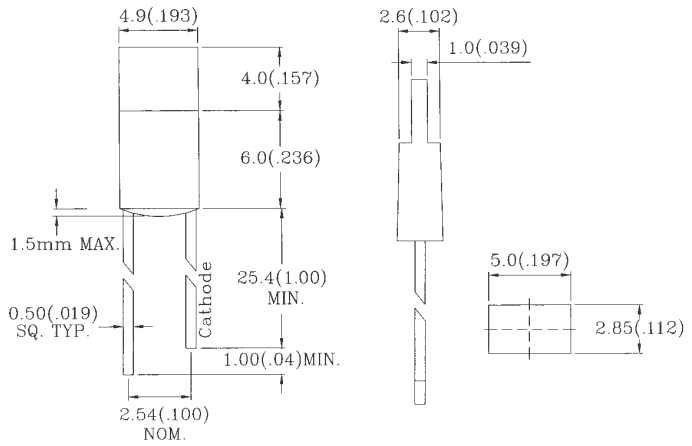
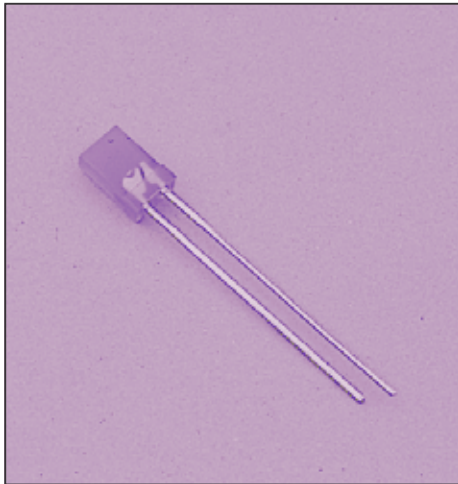
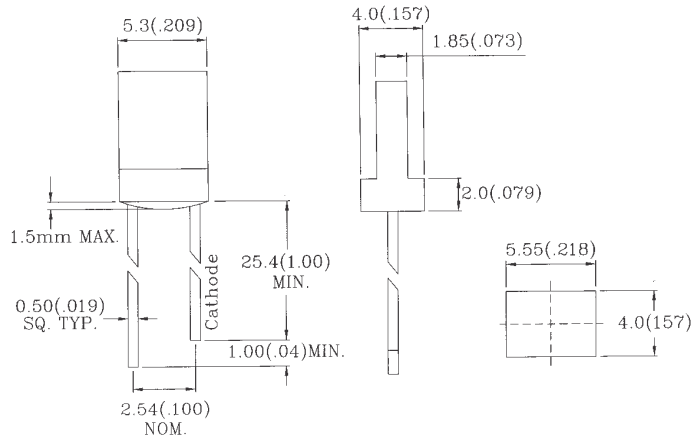
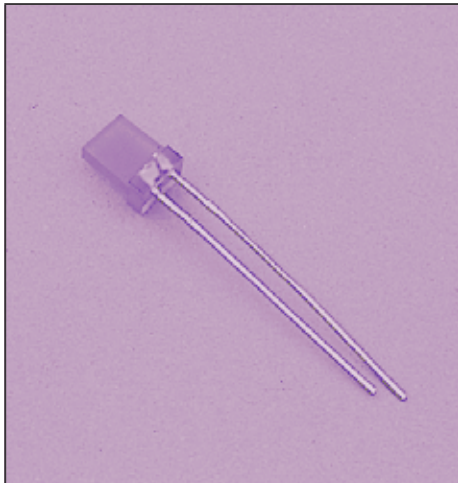


L-483XX 1.0x5.0x10.0 mm RECTANGULAR LED LAMP



Part No.	Chip		Lens Color	Wave Length λ p(nm)	Electro-Optical Characteristics			View Angle (deg)
	Raw Material	Emitted Color			Vf(V)20mA		lv(mcd)20mA	
					Typ.	Max.	Typ.	
L-483HD	GaP	Red	Red Diffused	700	2.3	2.8	3.0	120
L-483GD	GaP	Green	Green Diffused	565	2.2	2.8	6.0	120
L-483YD	GaAsP/GaP	Yellow	Yellow Diffused	585	2.1	2.8	5.0	120
L-483ED	GaAsP/GaP	Hi.effi Red	Red Diffused	635	2.1	2.8	8.0	120
L-483SRD	GaAlAs	Super Red	Red Diffused	660	1.8	2.2	10.0	120

L-493XX 1.8x5.3x8.0 mm RECTANGULAR LED LAMP



Part No.	Chip		Lens Color	Wave Length λ p(nm)	Electro-Optical Characteristics			View Angle (deg)
	Raw Material	Emitted Color			Vf(V)20mA		lv(mcd)20mA	
					Typ.	Max.	Typ.	
L-493HD	GaP	Red	Red Diffused	700	2.3	2.8	2.5	150
L-493GD	GaP	Green	Green Diffused	565	2.2	2.8	5.0	150
L-493YD	GaAsP/GaP	Yellow	Yellow Diffused	585	2.1	2.8	4.0	150
L-493ED	GaAsP/GaP	Hi.effi Red	Red Diffused	635	2.1	2.8	7.0	150
L-493SRD	GaAlAs	Super Red	Red Diffused	660	1.8	2.2	12.0	150

- 1.All dimension are in millimeters (inches).
- 2.Tolerance is ± 0.25 mm (0.01") unless otherwise specified.