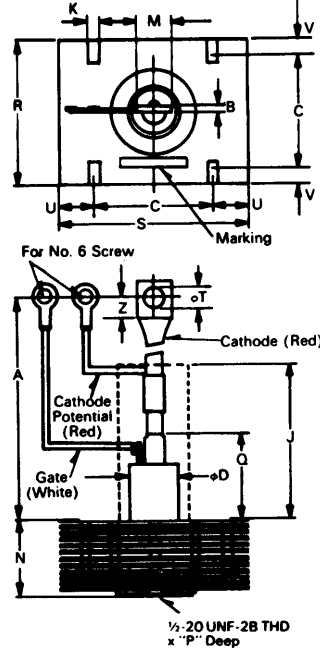


Powerex, Inc., 200 Hillis Street, Youngwood, Pennsylvania 15697-1800 (412) 925-7272
 Powerex, Europe, S.A. 428 Avenue G. Durand, BP107, 72003 Le Mans, France (43) 41.14.14

Phase Control SCR 300 Amperes Average 2000 Volts

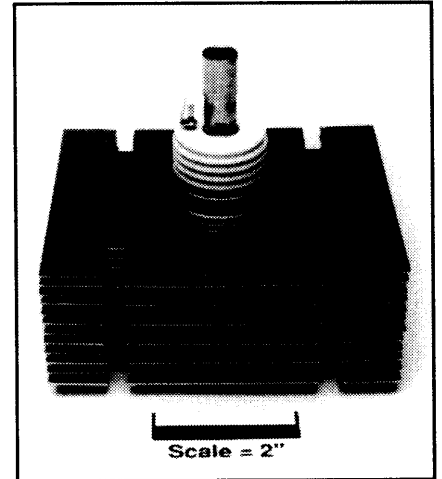
Dimensions	Inches		Millimeters	
	Min.	Max.	Min.	Max.
A	9.00	10.00	228.60	254.00
B	.063	.172	1.60	4.37
C	2.980	3.020	75.69	76.71
φD	—	1.490	—	37.85
J	3.750	—	95.25	—
K	.272	.292	6.91	7.42
M	.530	.755	13.46	19.18
N	2.030	2.150	51.56	54.61
P	.500	—	12.70	—
Q	—	2.670	—	67.81
R	3.937	4.063	100.00	103.20
S	4.937	5.063	125.40	128.60
φT	.330	.350	8.38	8.89
U	.970	1.030	24.64	26.16
V	.470	.530	11.94	13.46
Z	.440	—	11.18	—



- Angular orientation of terminals are undefined.
- Pitch diameter of 1/2-20 UNF-2A (coated) threads (ASA B1.1-1960).
- Dimension "J" denotes seated height with leads bent at right angles.

Creep Distance—1.76 in. min. (44.91 mm)
 Strike Distance—.81 in. min. (20.70 mm).
 (In accordance with NEMA standards.)
 Finish—Nickel Plate.
 Approx. Weight—5 lb. (2.3 kg.).

T760 (Outline Drawing)



T760 Phase Control SCR
 300 Amperes Average, 2000 Volts
 (Flex Lead Not Shown)

Description:

Powerex Silicon Controlled Rectifiers (SCR) are designed for phase control applications. These are all-diffused, compression bonded encapsulated (CBE) devices employing the field-proven amplifying (di/namic) gate.

Features:

- Low On-State Voltage
- High di/dt
- High dv/dt
- Hermetic Packaging
- Excellent Surge and I²t Ratings
- Integral Heat Sink

Applications:

- Power Supplies
- Battery Chargers
- Motor Control

Ordering Information:

Select the complete eight digit part number you desire from the table, i.e. T7602030 is a 2000 Volt, 300 Ampere Phase Control SCR.

Type	Voltage		Current	
	V _{DRM}	V _{RRM} Code	I _{T(av)}	Code
T760	200	02	300	30
	400	04		
	600	06		
	800	08		
	1000	10		
	1200	12		
	1400	14		
	1600	16		
1800	18			
	2000	20		



Powerex, Inc., 200 Hillis Street, Youngwood, Pennsylvania 15697-1800 (412) 925-7272
Powerex, Europe, S.A. 428 Avenue G. Durand, BP107, 72003 Le Mans, France (43) 41.14.14

T760
Phase Control SCR
300 Amperes, 2000 Volts

Absolute Maximum Ratings

	Symbol	T760	Units
RMS On-State Current	$I_{T(RMS)}$	470	Amperes
Average On-State Current	$I_{T(av)}$	300	Amperes
Peak One-Cycle Surge (Non-Repetitive) On-State Current (60Hz)	I_{TSM}	8400	Amperes
Peak One-Cycle Surge (Non-Repetitive) On-State Current (50Hz)	I_{TSM}	7650	Amperes
Critical Rate-of-Rise of On-State Current (Non-Repetitive)	di/dt	600	Amperes/ μ s
Critical Rate-of-Rise of On-State Current (Repetitive)	di/dt	150	Amperes/ μ s
I^2t (for Fusing), 8.3 milliseconds	I^2t	295,000	A ² sec
Peak Gate Power Dissipation	P_{GM}	16	Watts
Average Gate Power Dissipation	$P_{G(av)}$	3	Watts
Storage Temperature	T_{STG}	-40 to 150	°C
Operating Temperature	T_J	-40 to 125	°C

T760
 Phase Control SCR
 300 Amperes, 2000 Volts

Electrical and Thermal Characteristics

Characteristics	Symbol	Test Conditions	T760	Units
Voltage—Blocking State Maximums				
Forward Leakage, Peak	I_{DRM}	$T_J = 125^\circ\text{C}, V_{DRM} = \text{rated}$	30	mA
Reverse Leakage, Peak	I_{RRM}	$T_J = 125^\circ\text{C}, V_{RRM} = \text{rated}$	30	mA
Current—Conducting State Maximums				
Peak On-State Voltage	V_{TM}	$I_{TM} = 3000\text{A}, T_J = 25^\circ\text{C}$	3.30	Volts
Switching				
Typical Turn-Off Time	t_q	$I_T = 250\text{A}, T_J = 125^\circ\text{C},$ $di_T/dt = 25\text{A}/\mu\text{sec}, \text{reapplied}$ $dv/dt = 20\text{V}/\mu\text{sec}$ linear to $0.8 V_{DRM}$	150	μsec
Typical Turn-On Time	t_{on}	$I_T = 100\text{A}, V_D = 100\text{V}$	7	μsec
Min. Critical dv/dt exponential to V_{DRM}	dv/dt	$T_J = 125^\circ\text{C}$	300	$\text{V}/\mu\text{sec}$
Thermal				
Maximum Thermal Resistance, Junction to Ambient	$R_{\theta JA}$	1500 LFM Airflow	0.18	$^\circ\text{C}/\text{Watt}$
Gate—Maximum Parameters				
Gate Current to Trigger	I_{GT}	$T_J = 25^\circ\text{C}, V_D = 12\text{V}$	150	mA
Gate Voltage to Trigger	V_{GT}	$T_J = 25^\circ\text{C}, V_D = 12\text{V}$	3	Volts
Non-Triggering Gate Voltage	V_{GDM}	$T_J = 125^\circ\text{C}, \text{rated } V_{DRM}$	0.15	Volts
Peak Forward Gate Current	I_{GTM}		4	Amperes
Peak Reverse Gate Voltage	V_{GRM}		5	Volts

Powerex, Inc., 200 Hillis Street, Youngwood, Pennsylvania 15697-1800 (412) 925-7272
 Powerex, Europe, S.A. 428 Avenue G. Durand, BP107, 72003 Le Mans, France (43) 41.14.14

T760
Phase Control SCR
 300 Amperes, 2000 Volts

