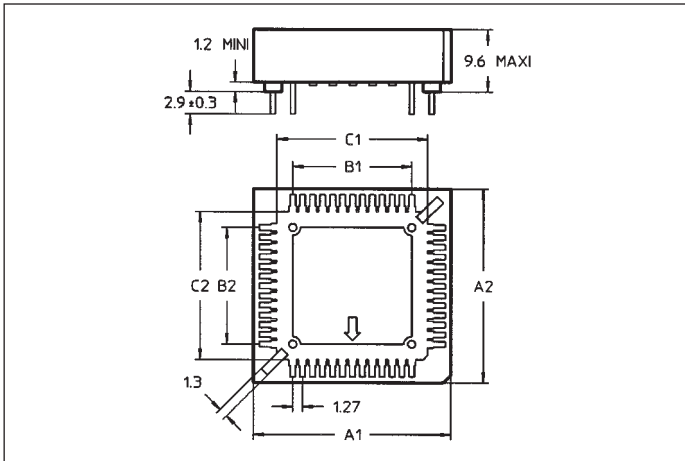


## Series 540

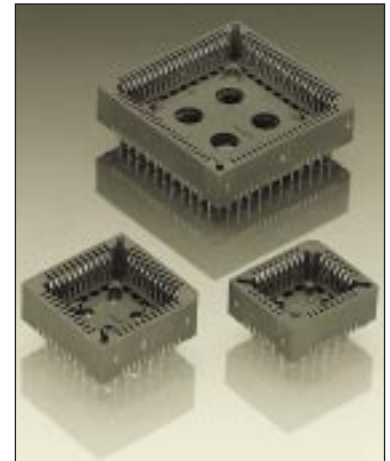
Sockets for Plastic Leaded Chip Carriers (PLCC)  
Solder tail



Series 540 PLCC sockets are designed to accept JEDEC type leaded plastic substrates

The insulator body has polarizing features for both substrate and PCB insertion

Contacts of highly reliable design guarantee safe component retention thanks to positive spring action



Plating	Stamped contacts
99	tin-lead over nickel Please note: 99 is only plating available for this product.

**Ordering information**  
For standard part numbers, please refer to table "Order Codes"  
For PCB hole patterns see below

No. of poles	Order Codes	Dimensions					
		A <sub>1</sub>	A <sub>2</sub>	B <sub>1</sub>	B <sub>2</sub>	C <sub>1</sub>	C <sub>2</sub>
20	540-99-020-24-000-1	14.98	14.98	5.08	5.08	9.14	9.14
28	540-99-028-24-000-1	17.52	17.52	7.62	7.62	11.68	11.68
32*	540-99-032-24-000-1	17.52	20.06	7.62	10.16	11.78	14.32
44	540-99-044-24-000-1	22.60	22.60	12.70	12.70	16.76	16.76
52	540-99-052-24-000-1	25.15	25.15	15.24	15.24	19.30	19.30
68	540-99-068-24-000-1	30.22	30.22	20.32	20.32	24.38	24.38
84	540-99-084-24-000-1	35.31	35.31	25.40	25.40	29.46	29.46

\* rectangular

### PCB hole patterns thru-hole types Series 540 / 504

