

## CMOS QUAD TRUE/COMPLEMENT BUFFER

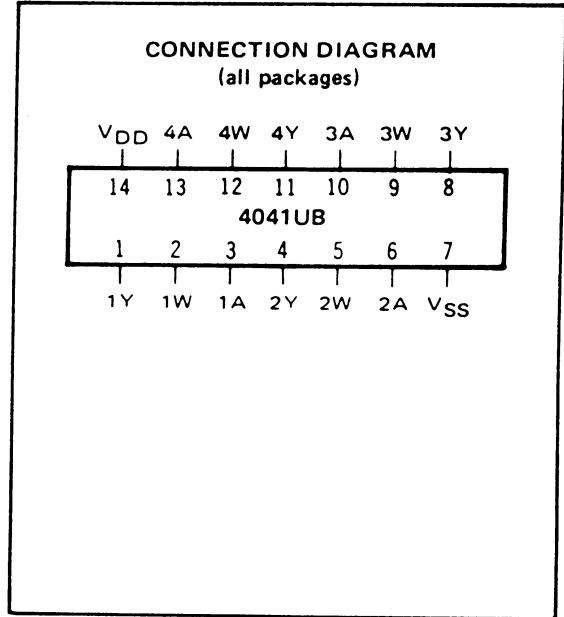
### FEATURES

- ◆ Both True and Complement Outputs Available Simultaneously
- ◆ High Source and Sink Current
- ◆ Diode Protection on All Inputs

### DESCRIPTION

The 4041UB Quad True/Complement Buffer is a monolithic integrated circuit constructed with P-Channel and N-Channel enhancement-mode devices. The outputs have low resistance and are capable of sinking or sourcing high currents for use in driver applications where high noise immunity and low power dissipation are required.

This device is useful as a line-driver, CMOS-to-TTL driver, low-power resistor-network driver for A/D and D/A conversion, display and clock drivers.

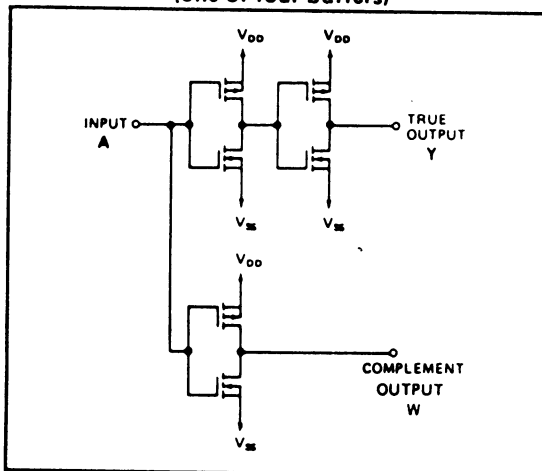


### RECOMMENDED OPERATING CONDITIONS

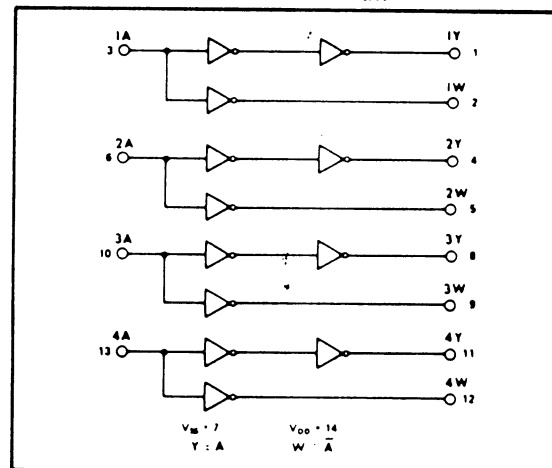
For maximum reliability:

DC Supply Voltage	$V_{DD} - V_{SS}$	3 to 15	Vdc
Operating Temperature	$T_A$		
C.		-55 to +125	°C
E		-40 to +85	°C

**SCHEMATIC DIAGRAM**  
(one of four buffers)



**LOGIC DIAGRAM**



## ELECTRICAL CHARACTERISTICS

STATIC CHARACTERISTICS<sup>1</sup>

PARAMETER	V <sub>DD</sub> (Vdc)	CONDITIONS	T <sub>LOW</sub> <sup>2</sup>		+25°C			T <sub>HIGH</sub> <sup>2</sup>		Units			
			Min.	Max.	Min.	Typ.	Max.	Min.	Max.				
QUIESCENT DEVICE CURRENT	I <sub>DD</sub>	5	V <sub>IN</sub> =V <sub>SS</sub> or V <sub>DD</sub>	-	1.0	-	0.005	1.0	-	30	μAdc		
		10	All valid input combinations	-	2.0	-	0.01	2.0	-	60			
		15		-	4.0	-	0.02	4.0	-	120			
MINIMUM INPUT HIGH VOLTAGE	V <sub>IH</sub>	Non-Inverting Outputs									Vdc		
		5	V <sub>OH</sub> =4.5V	-	3.5	-	2.75	3.5	-	3.5			
		10	V <sub>OH</sub> =9.0V	-	7.0	-	5.5	7.0	-	7.0			
		15	V <sub>OH</sub> =13.5V  I <sub>O</sub>   < 1μA	-	11.0	-	8.25	11.0	-	11.0			
		Inverting Outputs											Vdc
		5	V <sub>OL</sub> =0.5V	-	4.0	-	2.75	4.0	-	4.0			
10	V <sub>OL</sub> =1.0V	-	8.0	-	5.5	8.0	-	8.0					
15	V <sub>OL</sub> =1.5V  I <sub>O</sub>   < 1μA	-	12.0	-	8.25	12.0	-	12.0					
MAXIMUM INPUT LOW VOLTAGE	V <sub>IL</sub>	Non-Inverting Outputs									Vdc		
		5	V <sub>OL</sub> =0.5V	1.5	-	1.5	2.25	-	1.5	-			
		10	V <sub>OL</sub> =1.0V	3.0	-	3.0	4.5	-	3.0	-			
		15	V <sub>OL</sub> =1.5V  I <sub>O</sub>   < 1μA	4.0	-	4.0	6.75	-	4.0	-			
		Inverting Outputs											Vdc
		5	V <sub>OH</sub> =4.5V	1.0	-	1.0	2.25	-	1.0	-			
10	V <sub>OH</sub> =9.0V	2.0	-	2.0	4.5	-	2.0	-					
15	V <sub>OH</sub> =13.5V  I <sub>O</sub>   < 1μA	3.0	-	3.0	6.75	-	3.0	-					
OUTPUT HIGH (SOURCE) CURRENT	I <sub>OH</sub>	Non-Inverting Outputs									mAdc		
		5	V <sub>OH</sub> =4.6V	-1.7	-	-1.4	-2.8	-	-1.0	-			
		10	V <sub>OH</sub> =9.5V	-5.0	-	-4.0	-8.0	-	-2.8	-			
		15	V <sub>OH</sub> =13.5V V <sub>IN</sub> =V <sub>DD</sub>	-16	-	-13	-26	-	-9	-			
		Inverting Outputs											mAdc
		5	V <sub>OH</sub> =4.6V	-0.75	-	-0.6	-1.0	-	-0.42	-			
10	V <sub>OH</sub> =9.5V	-2.2	-	-1.8	-3.6	-	-1.3	-					
15	V <sub>OH</sub> =13.5V V <sub>IN</sub> =V <sub>SS</sub>	-8.0	-	-6.5	-13	-	-4.5	-					
OUTPUT LOW (SINK) CURRENT	I <sub>OL</sub>	Non-Inverting Outputs									mAdc		
		5	V <sub>OL</sub> =0.4V	2.0	-	1.6	3.2	-	1.1	-			
		10	V <sub>OL</sub> =0.5V	6.2	-	5.0	10	-	3.5	-			
		15	V <sub>OL</sub> =1.5V V <sub>IN</sub> =V <sub>SS</sub>	23	-	18.5	38	-	13	-			
		Inverting Outputs											mAdc
		5	V <sub>OL</sub> =0.4V	1.0	-	0.8	1.3	-	0.56	-			
10	V <sub>OL</sub> =0.5V	2.5	-	2.0	4.0	-	1.4	-					
15	V <sub>OL</sub> =1.5V V <sub>IN</sub> =V <sub>DD</sub>	11	-	8.5	17	-	5.8	-					

NOTES: <sup>1</sup> Remaining Static Electrical Characteristics are listed under "4000B Series Family Specifications".

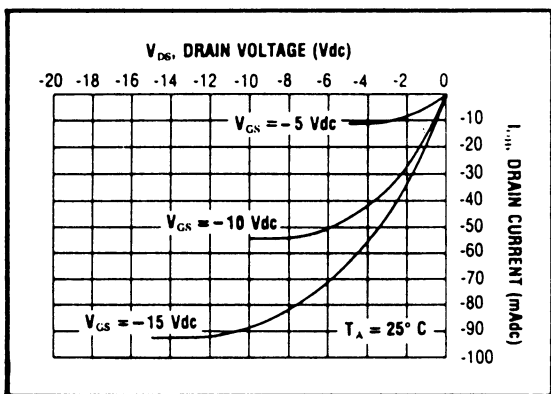
<sup>2</sup> T<sub>LOW</sub> = -55°C for C  
= -40°C for E  
T<sub>HIGH</sub> = +125°C for C  
= + 85°C for E

ELECTRICAL CHARACTERISTICS (Continued)

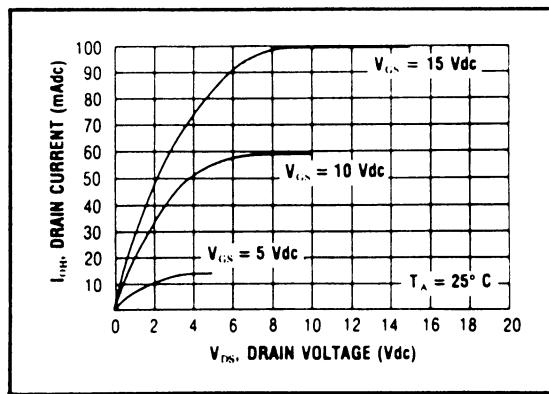
DYNAMIC CHARACTERISTICS ( $C_L = 50\text{pF}$ ,  $T_A = 25^\circ\text{C}$ )

PARAMETER	$V_{DD}$ (Vdc)	Min.	Typ.	Max.	Units
PROPAGATION DELAY TIME Non-Inverting Outputs	$t_{PLH}, t_{PHL}$	5	60	120	ns
		10	35	70	
		15	25	50	
Inverting Outputs	$t_{PLH}, t_{PHL}$	5	60	120	ns
		10	35	70	
		15	25	50	
OUTPUT TRANSITION TIME Non-Inverting Outputs	$t_{TLH}, t_{THL}$	5	40	80	ns
		10	20	40	
		15	15	30	
Inverting Outputs	$t_{TLH}, t_{THL}$	5	35	70	ns
		10	20	40	
		15	15	30	
INPUT CAPACITANCE	$C_{IN}$	-	10	15	pF

NON-INVERTING (TRUE) OUTPUT

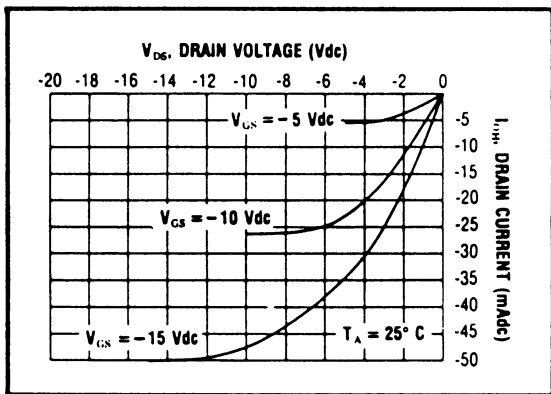


Typical P-Channel Source Current Characteristics

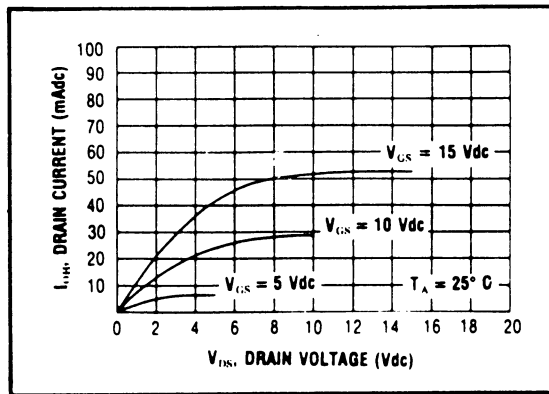


Typical N-Channel Sink Current Characteristics

INVERTING (COMPLEMENT) OUTPUT

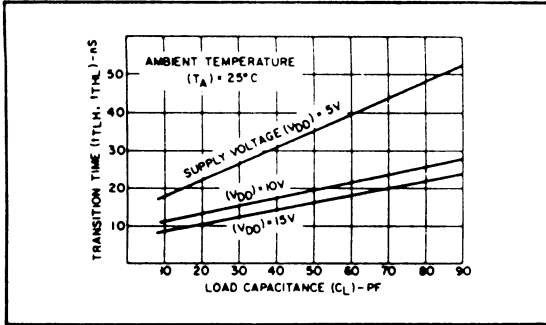


Typical P-Channel Source Current Characteristics

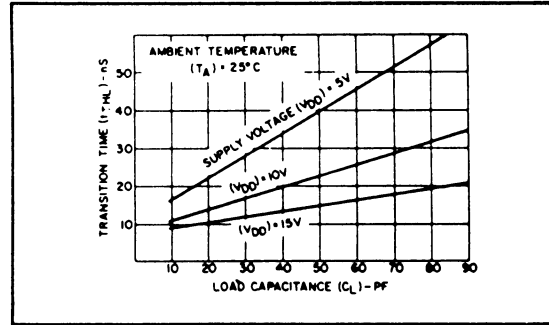


Typical N-Channel Sink Current Characteristics

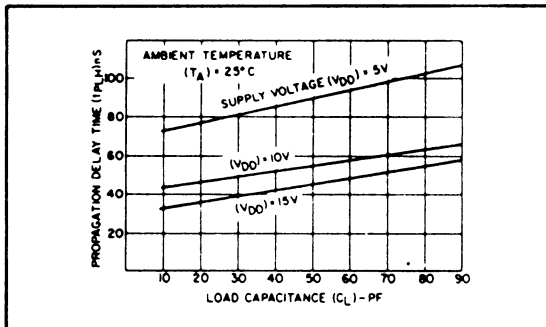
4041UB



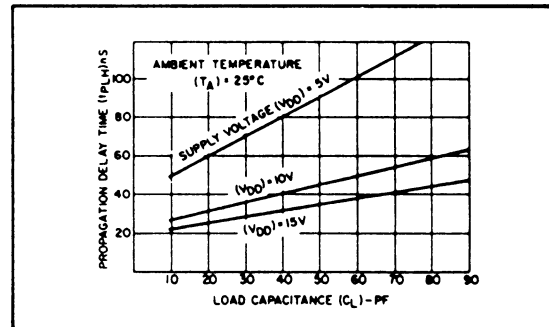
Typical transition time vs.  $C_L$ -true output.



Typical transition time vs.  $C_L$ -complement output.



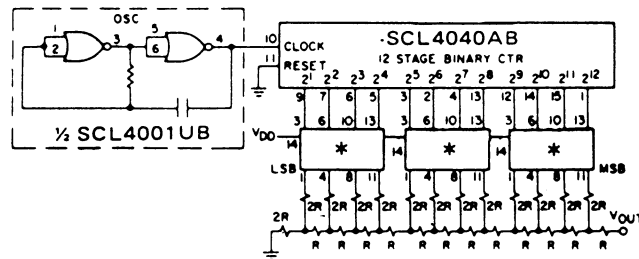
Typical propagation delay time vs.  $C_L$ -true output.



Typical propagation delay time vs.  $C_L$ -complement output.

APPLICATIONS INFORMATION

Low Power D/A Converter



\* 4041UB

For resolution and accuracy of  $\pm 1/2$  least significant bit (LSB), choose the values for R (shown in Table I) where R equals the value of the external ladder resistor plus the switch source impedance.

The values have been tabulated for  $V_{DD} = 5V$  and  $V_{SS} = 0V$ . For different supply (reference) voltages, the switch source impedance must be computed and added to the value of R shown in Table I).

TABLE I. RESISTANCE VALUES AT  $V_{DD}-V_{SS} = 5V$ ,  $T_A = 25^\circ C$

RESOLUTION	ACCURACY OF 1/2 LSB	$R_{min}$ ( $\Omega$ )
4 bit	$\pm 3.25\%$ of full scale	35 k
6 bit	$\pm 0.8\%$ of full scale	14 k
8 bit	$\pm 0.2\%$ of full scale	56 k
10 bit	$\pm 0.05\%$ of full scale	224 k
12 bit	$\pm 0.0125\%$ of full scale	896 k

TABLE II. ON RESISTANCE VALUES AT  $V_{DS} = 0.1V$ ,  $T_A = 25^\circ C$

$V_{DD}-V_{SS}$ (Volts)	$R_N$ ( $\Omega$ )	$R_P$ ( $\Omega$ )
5	$175 \pm 50$	$200 \pm 75$
10	$75 \pm 25$	$90 \pm 30$