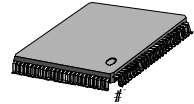


## PRODUCT SUMMARY

### INTRODUCTION

S5C7320X01 receives digital data from CCD-using video camera systems such as MMPC and surveillance cameras, and outputs combined video signals. It also runs algorithms for AE/AWB and transmits them to MICOM, or carries out AE/AWB independently. S5C7320X01 has the following features;

100-TQFP-1414



### FEATURES

- NTSC/PAL, 360H/510H/720H/760H CCD compatible
- Able to detect and correct 64 CCD white defects
- Built-in digital clamp feature
- 3-line processing using 2 line memories
- Luminance signal process
- Chrominance signal process
- Color difference signal modulation using quadrature subcarrier generation (DTO) method
- Built-in timing and sync signal generator
- External synchronization compatible (Line-lock, H-reset/V-reset, H-PLL/V-reset)
- Built-in ability to determine if in external synchronization mode
- Serial MICOM interface
- Built-in algorithm for AE/AWB
- MICOMless (stand-alone) full AE/AWB
- Partial linear approximation method's  $\gamma$  compensation feature for R, G, B and luminance
- Built-in 2CH DAC for combined Y/C analog output
- EEPROM interface for register setting without MICOM
- Built-in EVR interface for controlling CDS/AGC, and CCD

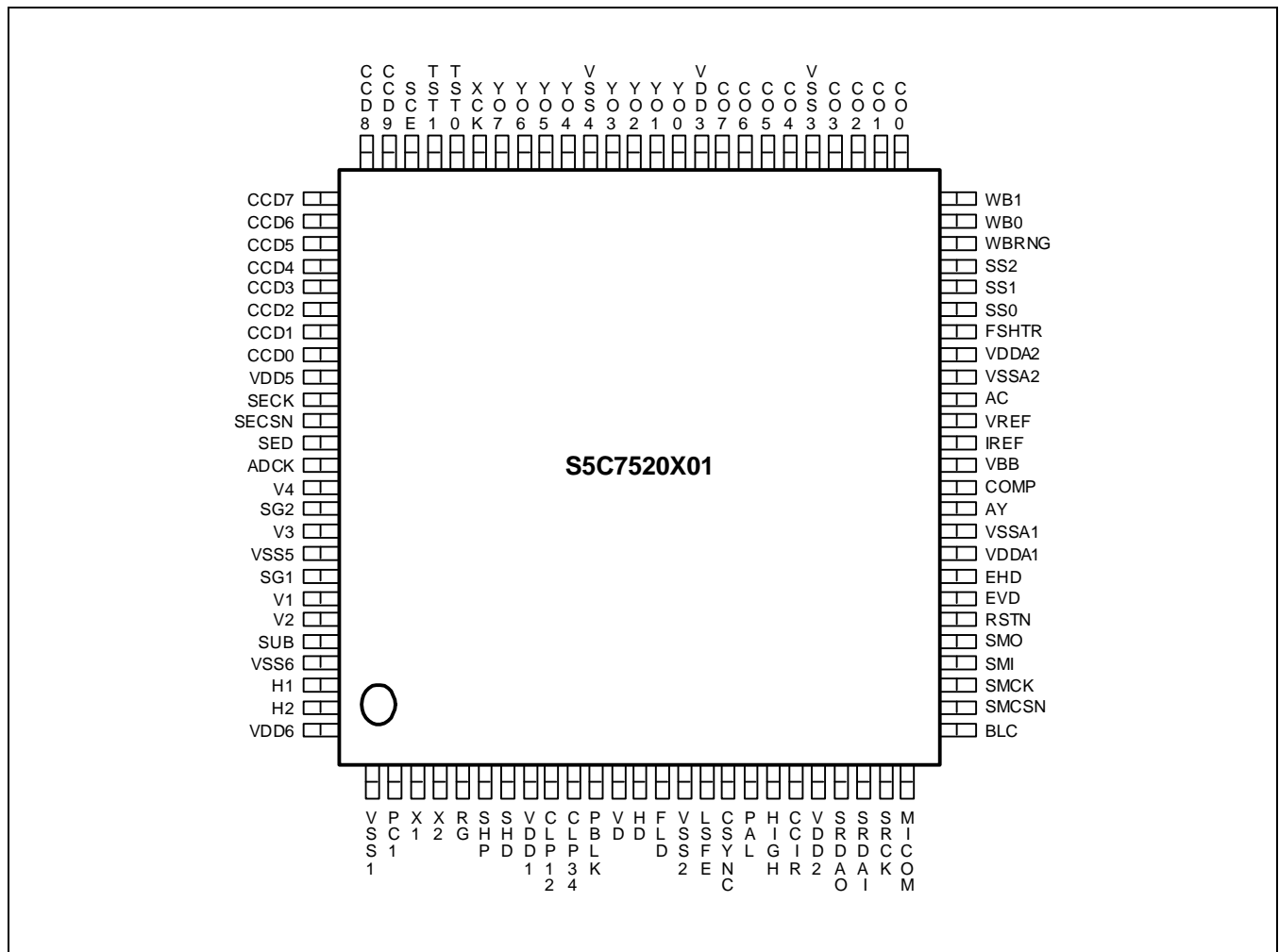
### ORDERING INFORMATION

| Device          | Package       | Operating Temperature |
|-----------------|---------------|-----------------------|
| S5C7320X01-T0R0 | 100-TQFP-1414 | 0 °C – 70 °C          |

### APPLICATIONS

- Camcorder
- Surveillance camera
- Multimedia PC (MMPC) camera

PIN CONFIGURATION



## PIN DESCRIPTION

Table 1. Pin Description

| No | Name  | I/O | Description                                     | Note    |
|----|-------|-----|---|---------|
| 1  | VSS1  | G   | Ground  |         |
| 2  | PC1   | O   | Phase comparator output for main clock PLL      |         |
| 3  | X1    | I   | Main X-TAL input                                |         |
| 4  | X2    | O   | Main X-TAL output                               |         |
| 5  | RG    | O   | Reset gate pulse                                |         |
| 6  | SHP   | O   | Precharge sample & hold pulse                   |         |
| 7  | SHD   | O   | Data sample & hold pulse                        |         |
| 8  | VDD1  | P   | Power   |         |
| 9  | CLP12 | O   | Clamp pulse 12 (CLP1/CLP2 multiplexing)         |         |
| 10 | CLP34 | O   | Clamp pulse 34 (CLP3/CLP4 multiplexing)         |         |
| 11 | PBLK  | O   | Pre-blank pulse                                 |         |
| 12 | VD    | O   | Vertical drive pulse                            |         |
| 13 | HD    | O   | Horizontal drive pulse                          |         |
| 14 | FLD   | O   | Field ID signal                                 |         |
| 15 | VSS2  | G   | Ground  |         |
| 16 | LSFE  | O   | Low shutter enable signal (or Vsynco)           |         |
| 17 | CSYNC | O   | Composite sync (or Hsynco)                      |         |
| 18 | PAL   | I   | PAL mode (L: NTSC, H: PAL)                      | P-down  |
| 19 | HIGH  | I   | High mode (L: Normal, H:HI8)                    | P-down  |
| 20 | CCIR  | I   | CCIR format mode (L: CIF, H: CCIR)              | P-down  |
| 21 | VDD2  | P   | Power   |         |
| 22 | SRDAO | O   | EEPROM data output                              |         |
| 23 | SRDAI | I   | EEPROM data input                               |         |
| 24 | SRCK  | O   | EEPROM control clock                            |         |
| 25 | MICOM | I   | Stand-alone/MICOM IF selection (L: stand-alone) | P-down  |
| 26 | BLC   | I   | Back light compensation enable                  | P-down  |
| 27 | SMCSN | I   | Serial MICOM chip select enable (active "L")    | Schmitt |
| 28 | SMCK  | I   | Serial MICOM input clock                        | Schmitt |
| 29 | SMI   | I   | Serial MICOM data input                         | Schmitt |
| 30 | SMO   | O   | Serial MICOM data output                        |         |
| 31 | RSTN  | I   | Master reset (active low)                       |         |
| 32 | EVD   | I   | EXT. sync. VD input (line-lock/V-reset mode)    | P-up    |

Table 1. Pin Description (Continued)

| No | Name  | I/O  | Description  | Note    |
|----|-------|------|--|---------|
| 33 | EHD   | I    | EXT. sync. HD input<br>(separate sync., composite sync. locking mode.) | P-up    |
| 34 | VDDA1 | P    | Analog power for DAC   |         |
| 35 | VSSA1 | G    | Analog ground for DAC  |         |
| 36 | AY    | O(A) | Analog luminance output  |         |
| 37 | COMP  | I(A) | Compensation terminal for DAC  |         |
| 38 | VBB   | G    | DAC bulk bias (ground)   |         |
| 39 | IREF  | I(A) | Current reference terminal   |         |
| 40 | VREF  | I(A) | Voltage reference terminal   |         |
| 41 | AC    | O(A) | Analog CHROMA output   |         |
| 42 | VSSA2 | G    | Analog ground for DAC  |         |
| 43 | VDDA2 | P    | Analog power for DAC   |         |
| 44 | FSHTR | I    | Fixed high speed shutter mode (active H)                               | P-down  |
| 45 | SS0   | I    | Fixed high speed shutter control 0                                     | P-down  |
| 46 | SS1   | I    | Fixed high speed shutter control 1                                     | P-down  |
| 47 | SS2   | I    | Fixed high speed shutter control 2                                     | P-down  |
| 48 | WBRNG | I    | White balance range selection  | P-down  |
| 49 | WB0   | I    | White balance mode 0   | P-down  |
| 50 | WB1   | I    | White balance mode 1   | Pull-up |
| 51 | CO0   | O    | Digital CHROMA output (LSB)  |         |
| 52 | CO1   | O    | Digital CHROMA output  |         |
| 53 | CO2   | O    | Digital CHROMA output  |         |
| 54 | CO3   | O    | Digital CHROMA output  |         |
| 55 | VSS3  | G    | Ground   |         |
| 56 | CO4   | O    | Digital CHROMA output  |         |
| 57 | CO5   | O    | Digital CHROMA output  |         |
| 58 | CO6   | O    | Digital CHROMA output  |         |
| 59 | CO7   | O    | Digital CHROMA output (MSB)  |         |
| 60 | VDD3  | P    | Power  |         |
| 61 | YO0   | O    | Digital luminance output (LSB)   |         |
| 62 | YO1   | O    | Digital luminance output   |         |
| 63 | YO2   | O    | Digital luminance output   |         |
| 64 | YO3   | O    | Digital luminance output   |         |

Table 1. Pin Description (Continued)

| No | Name  | I/O | Description                                | Note |
|----|-------|-----|--|------|
| 65 | VSS4  | G   | Ground                                     |      |
| 66 | YO4   | O   | Digital luminance output                   |      |
| 67 | YO5   | O   | Digital luminance output                   |      |
| 68 | YO6   | O   | Digital luminance output                   |      |
| 69 | YO7   | O   | Digital luminance output (MSB)             |      |
| 70 | XCK   | I   | Encoder external clock input for line-lock | "L"  |
| 71 | TST0  | I   | Test pin 0 (active high)                   | "L"  |
| 72 | TST1  | I   | Test pin 1(active high)                    | "L"  |
| 73 | SCE   | I   | Scan enable for test (active high)         | "L"  |
| 74 | CCD9  | I   | CCD data input [MSB]                       |      |
| 75 | CCD8  | I   | CCD data input                             |      |
| 76 | CCD7  | I   | CCD data input                             |      |
| 77 | CCD6  | I   | CCD data input                             |      |
| 78 | CCD5  | I   | CCD data input                             |      |
| 79 | CCD4  | I   | CCD data input                             |      |
| 80 | CCD3  | I   | CCD data input                             |      |
| 81 | CCD2  | I   | CCD data input                             |      |
| 82 | CCD1  | I   | CCD data input                             |      |
| 83 | CCD0  | I   | CCD data input [LSB]                       |      |
| 84 | VDD5  | P   | Power                                      |      |
| 85 | SECK  | O   | CDS/AGC, EVR clock                         |      |
| 86 | SECSN | O   | CDS/AGC, EVR chip select (active low)      |      |
| 87 | SED   | O   | CDS/AGC, EVR data line                     |      |
| 88 | ADCK  | O   | ADC sampling clock                         |      |
| 89 | V4    | O   | Vertical drive pulse 4 for CCD             |      |
| 90 | SG2   | O   | CCD sensor read out pulse 2                |      |
| 91 | V3    | O   | Vertical drive pulse 3 for CCD             |      |
| 92 | VSS5  | G   | Ground                                     |      |
| 93 | SG1   | O   | CCD sensor read out pulse 1                |      |
| 94 | V1    | O   | Vertical drive pulse 1 for CCD             |      |
| 95 | V2    | O   | Vertical drive pulse 2 for CCD             |      |
| 96 | SUB   | O   | CCD discharge pulse                        |      |
| 97 | VSS6  | G   | Ground for H1, H2                          |      |

Table 1. Pin Description (Continued)

| No  | Name | I/O | Description                        | Note |
|-----|------|-----|------------------------------------|------|
| 98  | H1   | O   | Horizontal driving pulse 1 for CCD |      |
| 99  | H2   | O   | Horizontal driving pulse 2 for CCD |      |
| 100 | VDD6 | P   | Power supply for H1, H2            |      |

**NOTE:** Fixed mode shutter speed control

| System | S2 | S1 | S0 | Shutter Speed |             |
|--------|----|----|----|---------------|-------------|
|        |    |    |    | Expected      | Real        |
| NTSC   | 0  | 0  | 0  | 1/60          | 1/60        |
|        | 0  | 0  | 1  | 1/250         | 1/251       |
|        | 0  | 1  | 0  | 1/500         | 1/513       |
|        | 0  | 1  | 1  | 1/1000        | 1/1006      |
|        | 1  | 0  | 0  | 1/2000        | 1/1936      |
|        | 1  | 0  | 1  | 1/5000        | 1/5034      |
|        | 1  | 1  | 0  | 1/10000       | 1/10489     |
|        | 1  | 1  | 1  | Flickerless   | Flickerless |
| PAL    | 0  | 0  | 0  | 1/50          | 1/50        |
|        | 0  | 0  | 1  | 1/250         | 1/249       |
|        | 0  | 1  | 0  | 1/500         | 1/510       |
|        | 0  | 1  | 1  | 1/1000        | 1/999       |
|        | 1  | 0  | 0  | 1/2000        | 1/1923      |
|        | 1  | 0  | 1  | 1/5000        | 1/5000      |
|        | 1  | 1  | 0  | 1/10000       | 1/10416     |
|        | 1  | 1  | 1  | Flickerless   | Flickerless |

**NOTE:** White Balance Mode

| WB1 | WB0 | White Balance Mode |
|-----|-----|--------------------|
| 0   | 0   | Normal (auto)      |
| 0   | 1   | Cool color temp.   |
| 1   | 0   | One-shot W/B mode  |
| 1   | 1   | Warm color temp.   |

BLOCK DIAGRAM

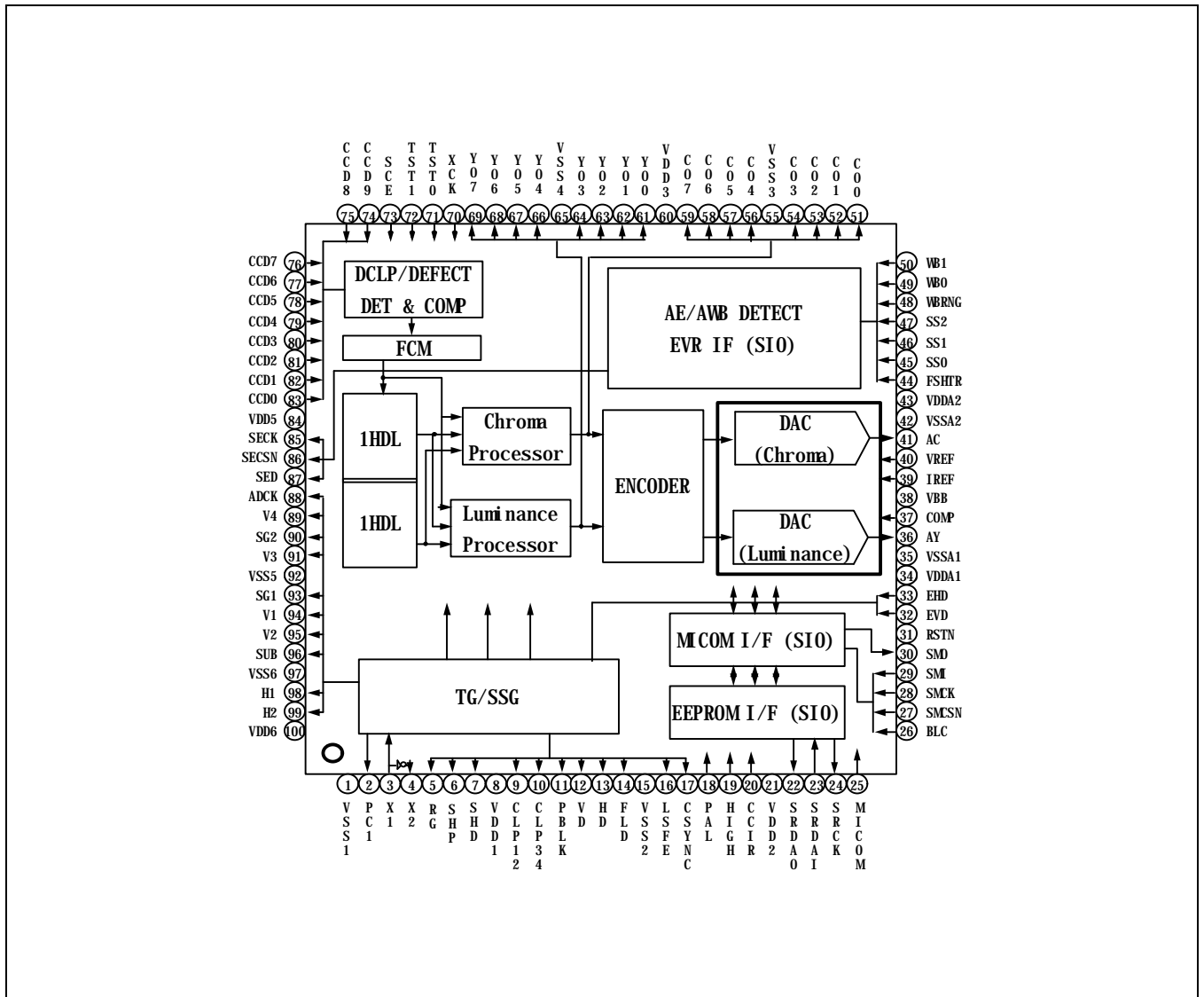


Figure 2. Block Diagram

**CHARACTERISTICS**

**ABSOLUTE MAXIMUM RATINGS**

| Item                        | Symbol    | Rating                | Unit | Remark    |
|-----------------------------|-----------|-----------------------|------|-----------|
| DC supply voltage (digital) | $V_{DD}$  | -0.3 — 3.8            | V    | -         |
| DC supply voltage (analog)  | $V_{DDA}$ | -0.3 — 3.8            | V    | DAC power |
| DC input voltage            | $V_{IN}$  | -0.3 — $V_{DD} + 0.3$ | V    | -         |
| Storage temperature         | $T_{STG}$ | -40 — 125             | °C   | -         |
| Latch-up current            | $I_{LU}$  | ±100                  | mA   | -         |

OPERATION TEMPERATURE (0 °C — +70 °C)

**ELECTRO-STATIC CHARACTERISTICS**

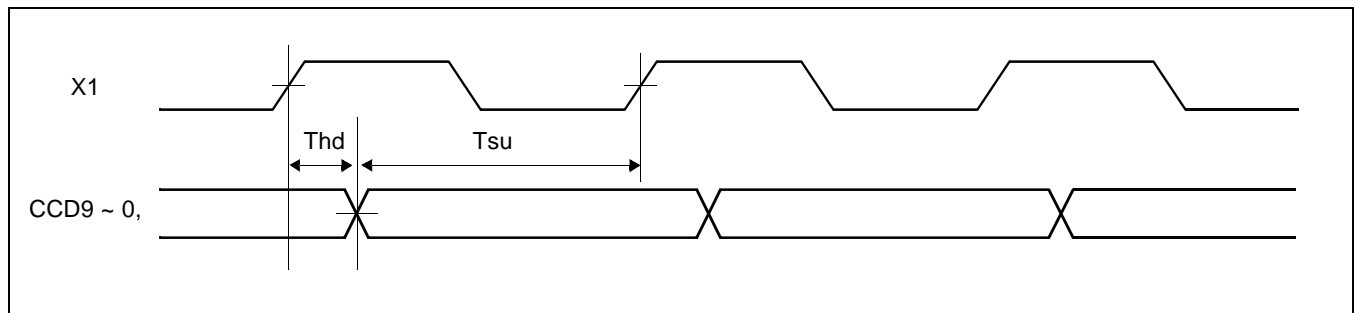
| Item                   | Electrostatic Standard |             | Unit | Remark |
|------------------------|------------------------|-------------|------|--------|
|                        | Pin No                 | Design Goal |      |        |
| Human body model (HBM) | All                    | ± 2000V     | V    |        |
| Machine model (MM)     |                        | ± 300V      | V    |        |

**ELECTRICAL CHARACTERISTICS (AC)**

$V_{SS} = 0V$ ,  $V_{DD} = 3.3V \pm 10\%$ ,  $T_a = 0 - 70^\circ C$

Table 2. Electrical Characteristics (AC)

| Item                  | Signal       | Symbol   | Design Goal |     |     | Unit | Remark   |
|-----------------------|--------------|----------|-------------|-----|-----|------|--|
|                       |              |          | Min         | Typ | Max |      |  |
| Input data setup time | CCD9 – CCD 0 | $T_{su}$ | 5           | -   | -   | ns   | $V_{DD} = 3.3V \pm 10\%$<br>$T_a = 0 - 70^\circ C$ |
| Input data hold time  | CCD9 – CCD 0 | $T_{hd}$ | 5           | -   | 50  | ns   | $V_{DD} = 3.3V \pm 10\%$<br>$T_a = 0 - 70^\circ C$ |





Appendix: External Synchronization Configuration

Example of Internal Reset Mode (NTSC)

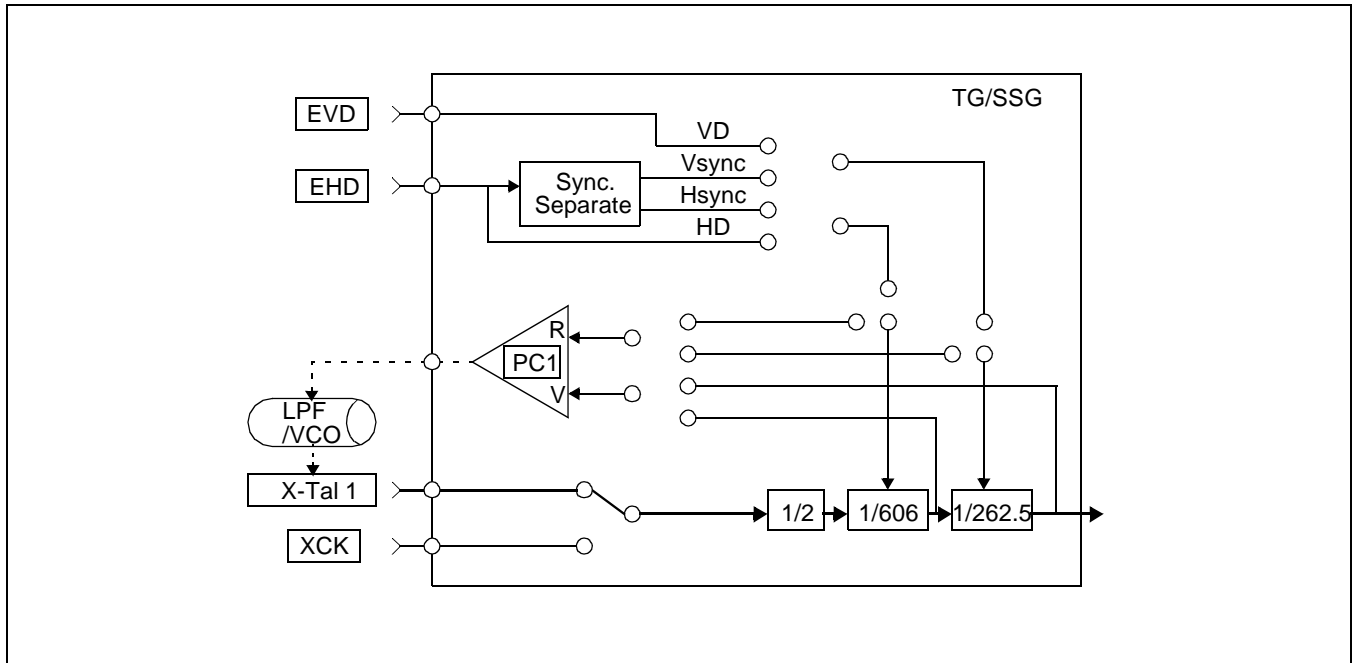


Figure 3. Example of Internal Reset Mode (NTSC)

Example of Line Lock Mode (NTSC)

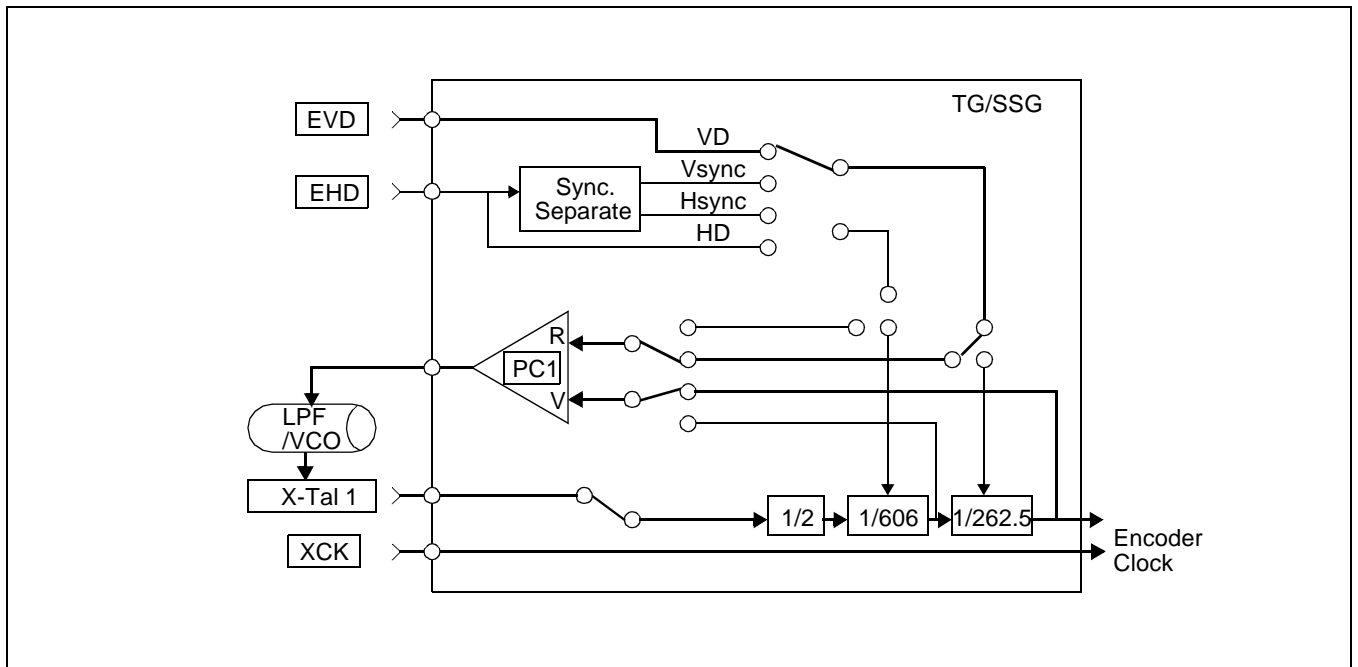


Figure 4. Example of Line Lock Mode (NTSC)

Example of H Reset, V Reset Mode (NTSC)

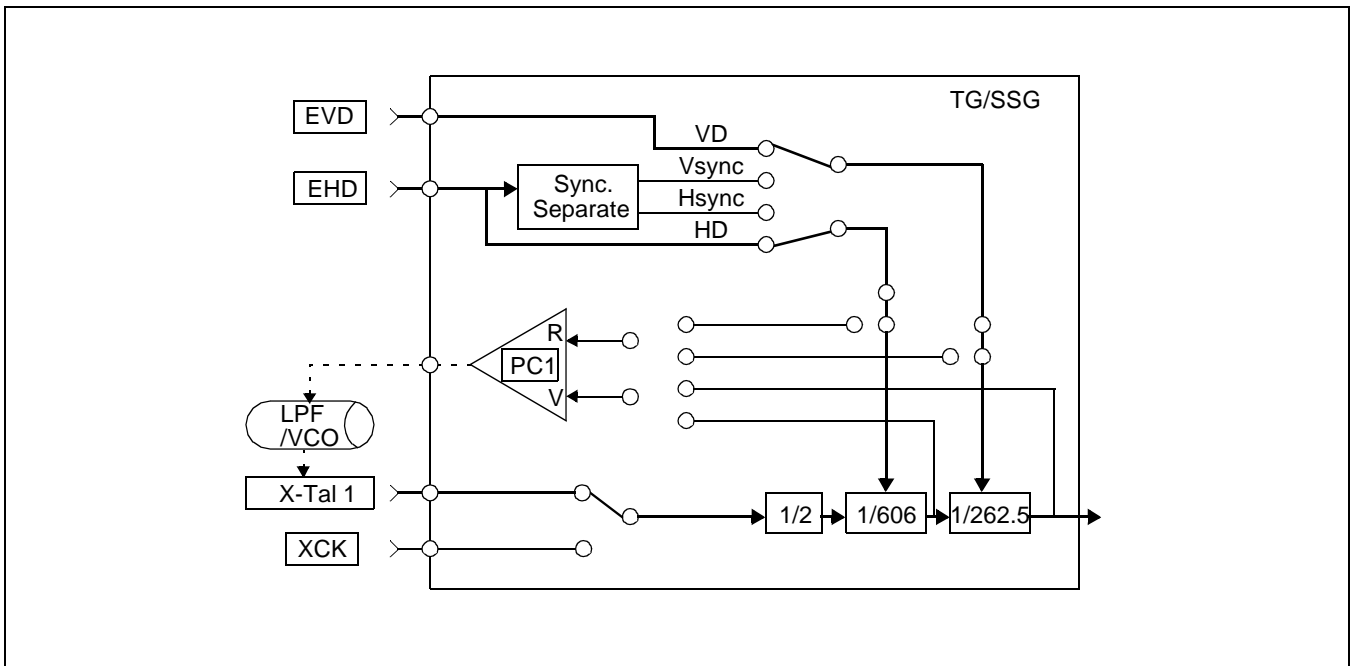


Figure 5. Example of H Reset, V Reset Mode (NTSC)

Example of H PLL, V Reset Mode (NTSC)

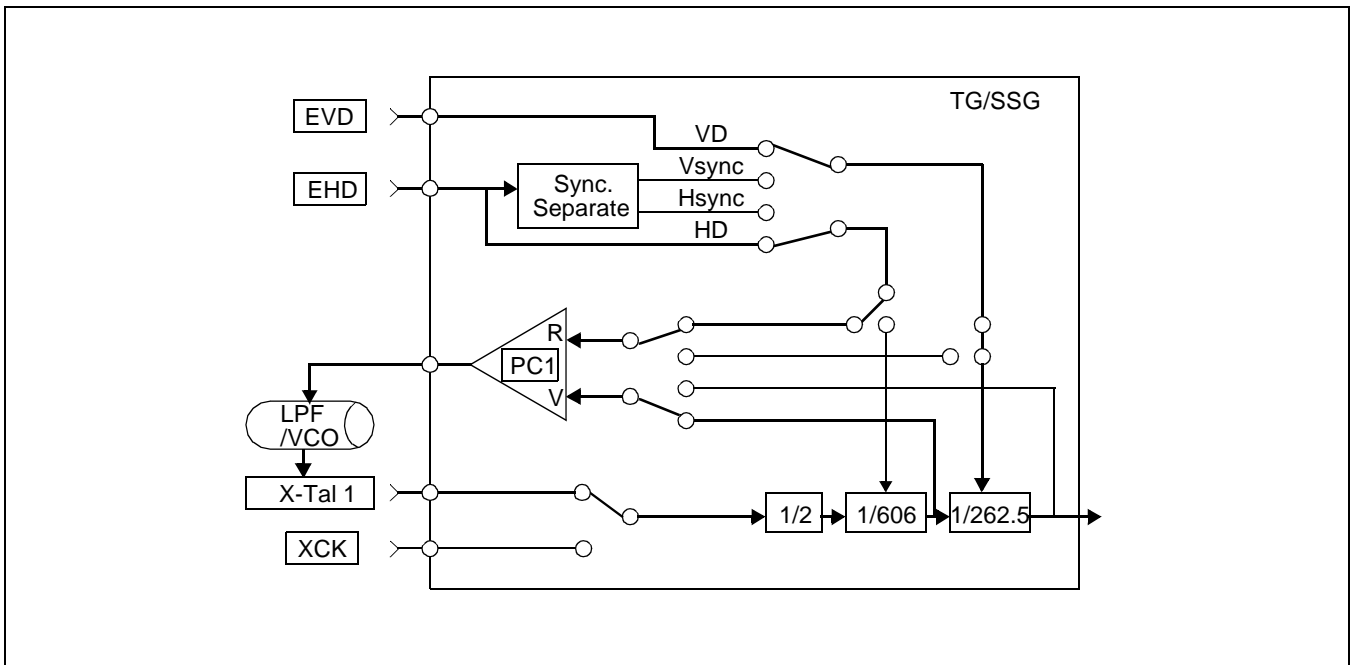


Figure 6. Example of H PLL, V Reset Mode (NTSC)

Example of Csync Reset (H PLL, V Reset) Mode (NTSC)

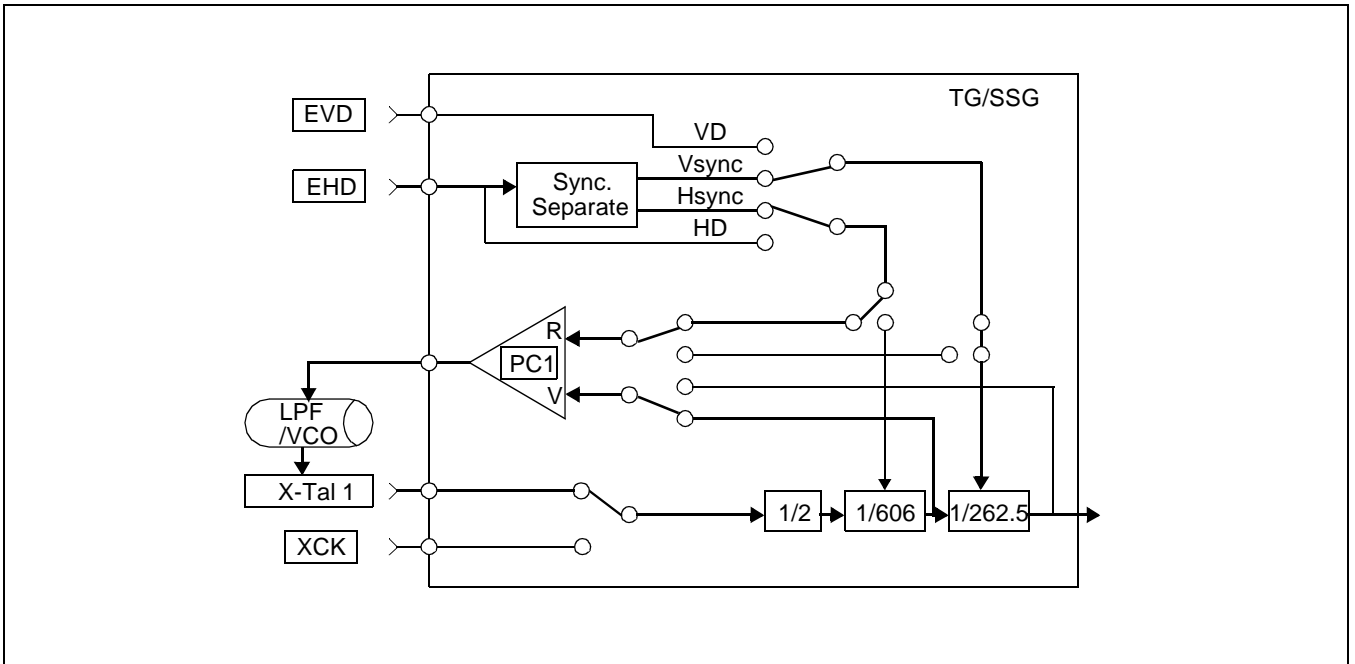


Figure 7. Example of Csync Reset (H PLL, V Reset) Mode (NTSC)

PLL Application Circuit

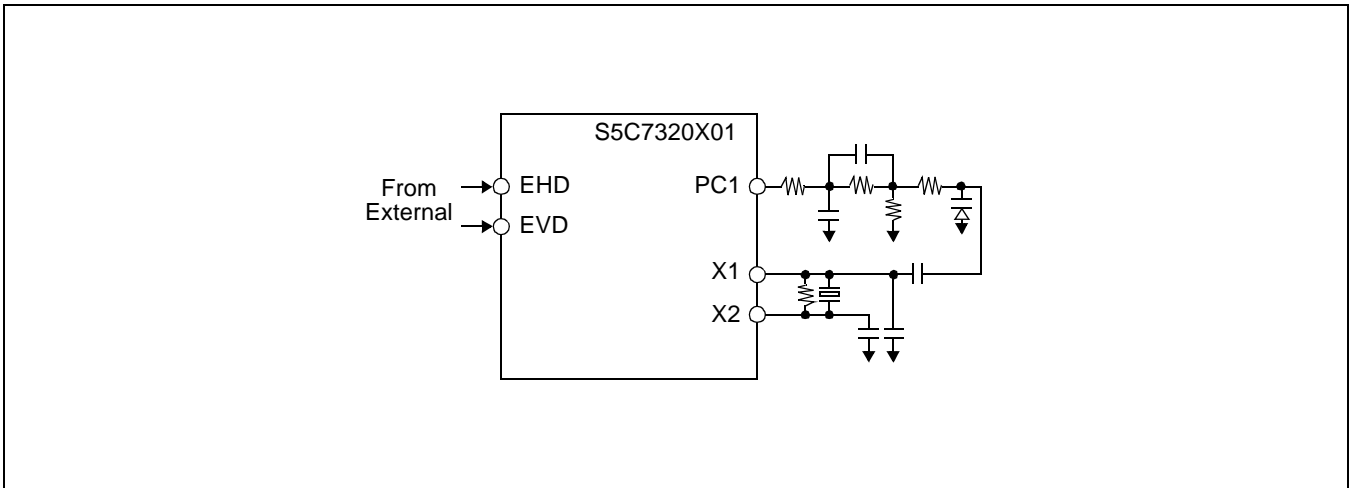


Figure 8. PLL Application Circuit

APPLICATION CIRCUIT DIAGRAM

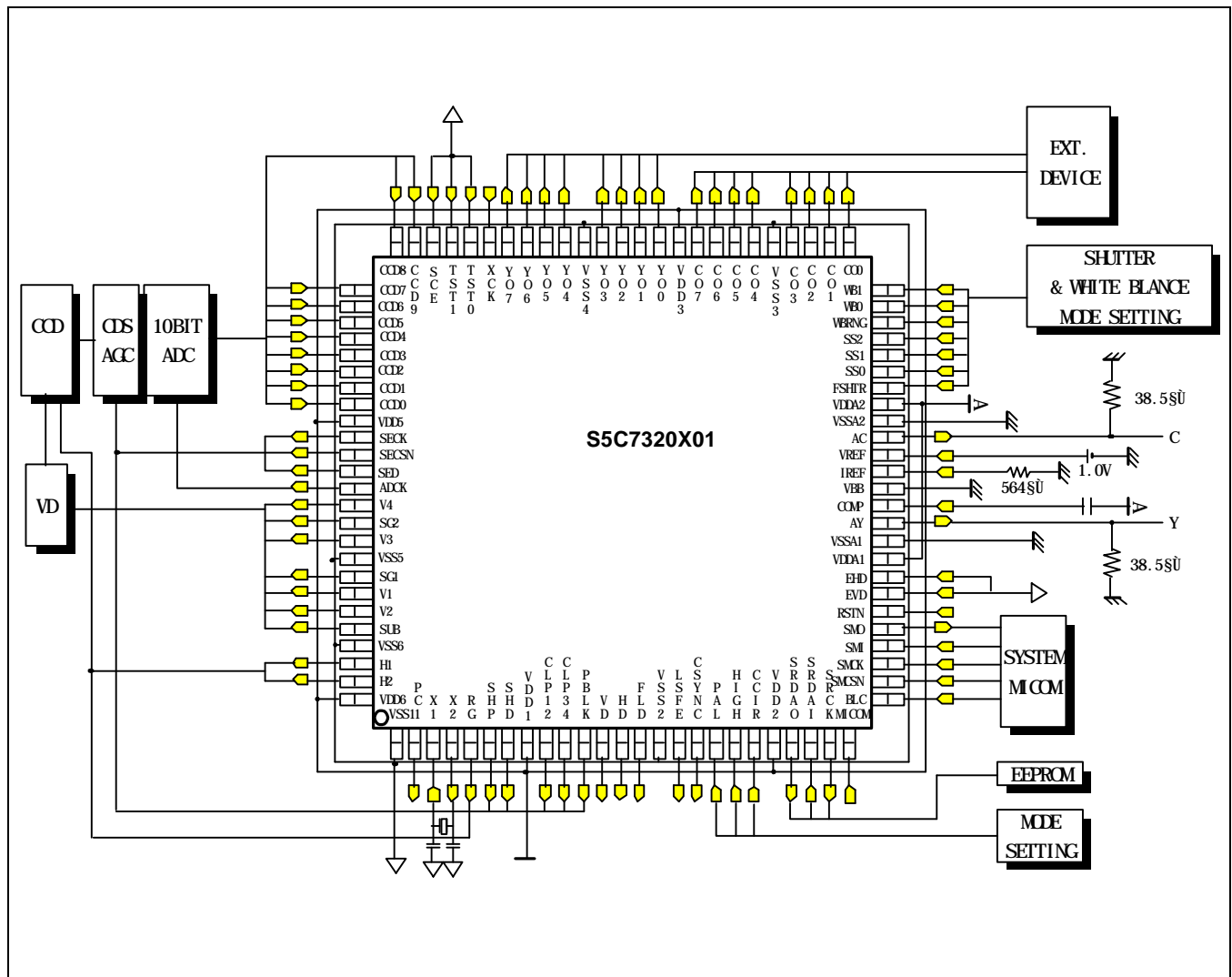


Figure 9. Application Circuit Diagram

PACKAGE DIMENSIONS

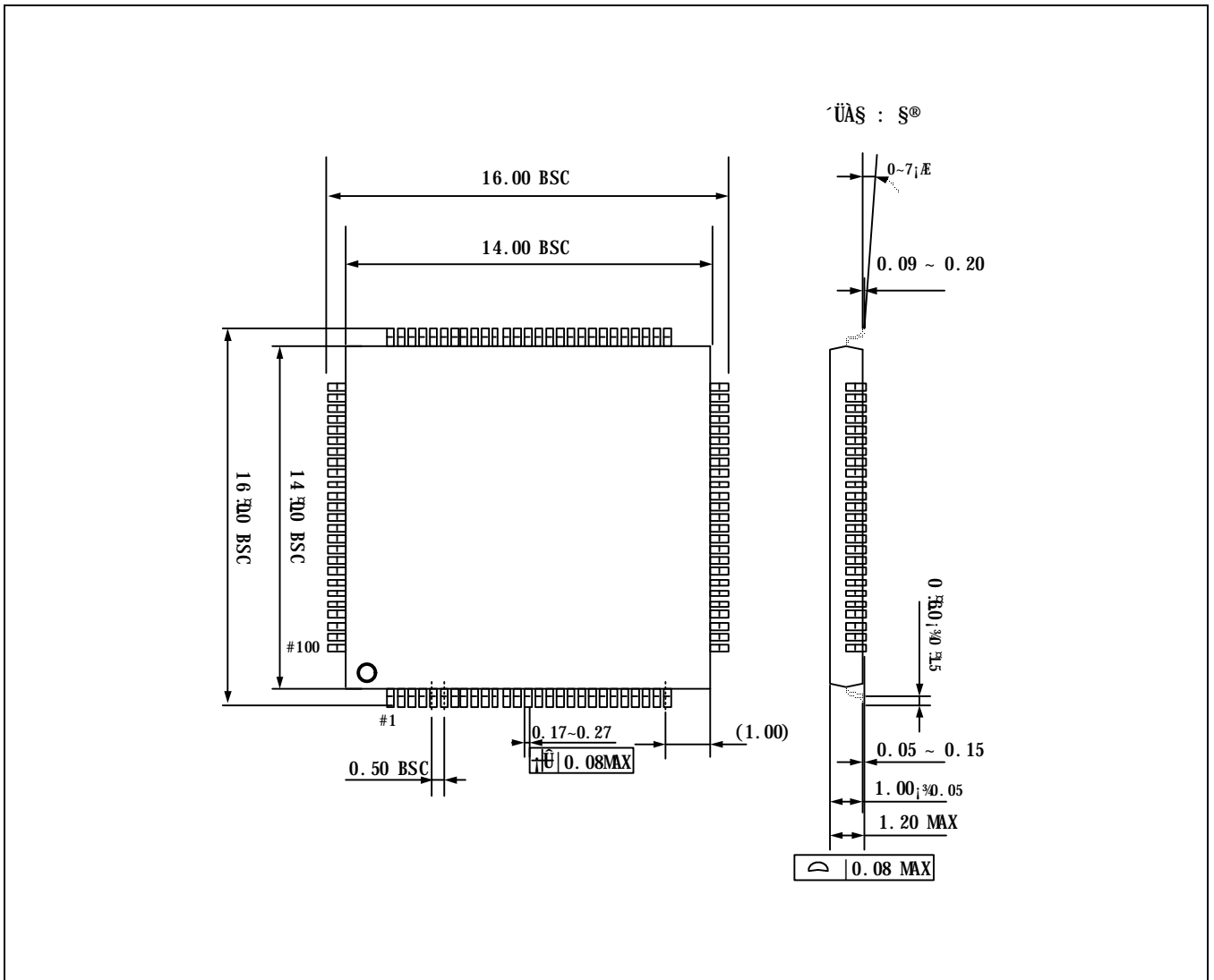


Figure 10. Package Dimensions