

## LT0R45P/M

## Red Hologram Laser

Compact Size Hologram Laser for DVD (650nm-5m Single Mode)

### ■ Features

- (1) Maximum operating output: 5mW
- (2) Wavelength: 635nm
- (3) Built-in high speed(MIN. 20MHz) OPIC\*
- (4) Needless of external noise solution
- (5) With sensitivity switching function
- (6) Compact package(Thickness: 4.8mm)
- (7) High temperature operation: 70°C
- (8) Single power supply●●●LT0R45P  
Double power supply●●●LT0R45M

### ■ Specifications

Laser diode (Tc=25°C)

Parameter	Conditions	Ratings
*1 Optical power output	-	MAX.4.5mW
Threshold current	-	TYP. 55mA
Operating current	Po=2.7mW *1	TYP.65mA
Operating voltage		TYP.2.2V
Wavelength		TYP.650nm
Operating temperature	-10 to +70°C	
Oscillation mode	Single mode	
Deflection mode	TE mode	

\*1 Output power from hologram laser

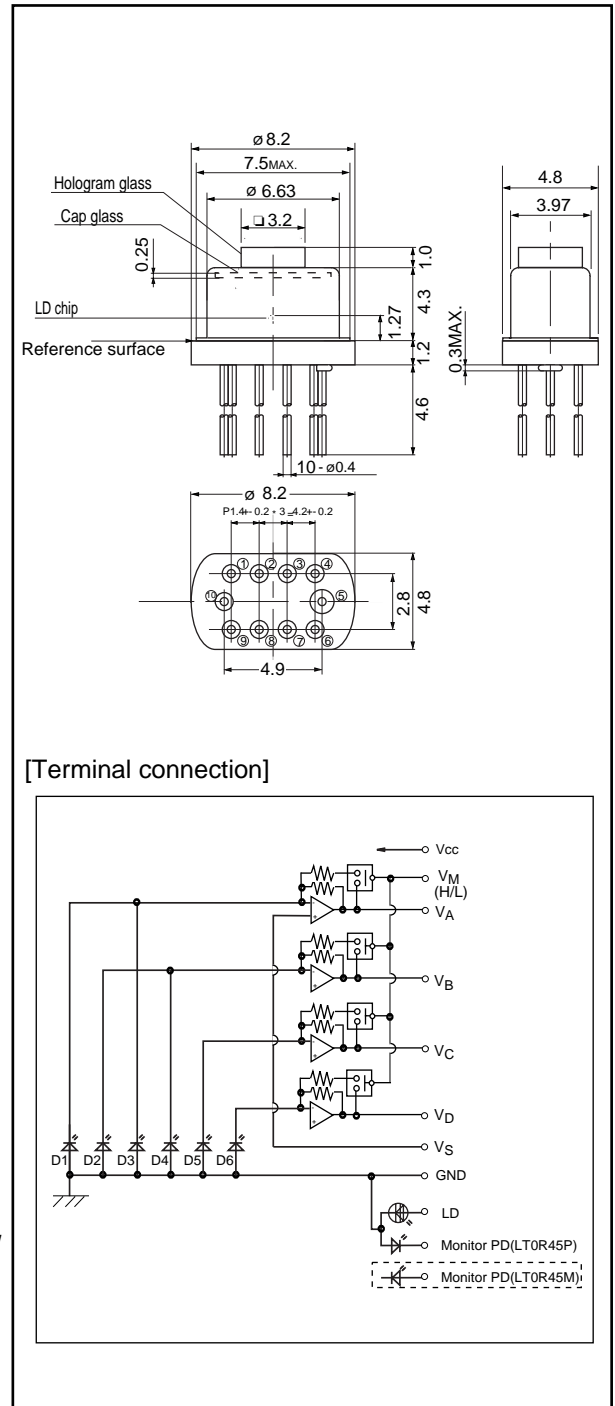
Hologram laser (Tc=25°C)

Parameter	Conditions	Ratings
RF output amplitude	H gain	TYP.0.87Vp-p
	L gain	TYP.0.34Vp-p
FES output amplitude	RF amplitude at 0.27V	TYP.0.54Vp-p
Radial error balance	-	MAX.±0.5μm
OPIC operating voltage	-	MAX.4.5 to 5.5V
OPIC response frequency	Vcc=5V,-3dB	MIN.20MHz

\*2 optical system is regulated by another paper.

### ■ Outline Dimensions

(Unit:mm)



(Notice)

In the absence of device specification sheets, SHARP takes no responsibility for any defects that may occur in equipment using any SHARP devices shown in catalogs, data books, etc. Contact SHARP in order to obtain the latest device specification sheets before using any SHARP device.

Specifications are subject to change without notice for improvement.

(Internet)

Data for Sharp's optoelectronic/power devices is provided for internet.(Address <http://www.sharp.co.jp/ecg/>)