



BAS70-07S / BAS70-08S

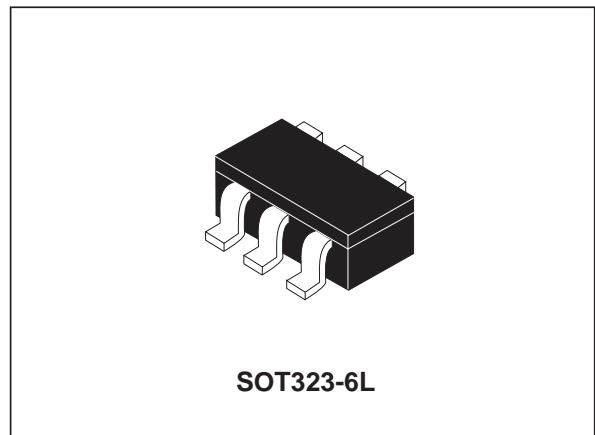
RF DETECTION DIODE

FEATURES AND BENEFITS

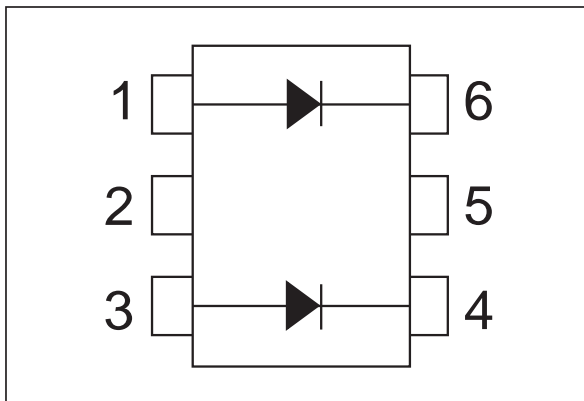
- LOW DIODE CAPACITANCE
- LOW SERIES INDUCTANCE AND RESISTANCE
- SURFACE MOUNT PACKAGE

DESCRIPTION

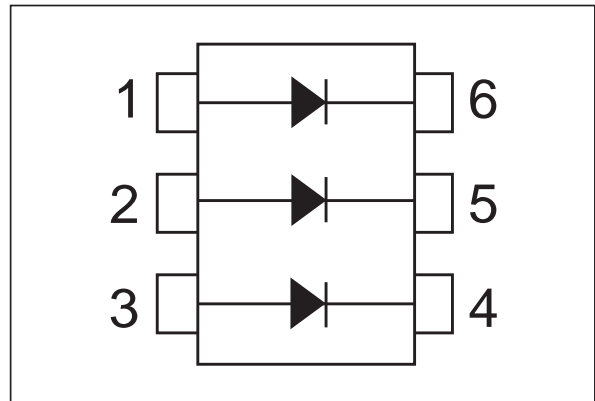
Dual and Triple Schottky diode in SOT323-6L package. This diode is intended to be used in RF application for signal detection and temperature compensation.



BAS70-07S SCHEMATIC DIAGRAM



BAS70-08S SCHEMATIC DIAGRAM



ABSOLUTE RATINGS (limiting values)

Symbol	Parameter		Value	Unit
V_R	Continuous reverse voltage		70	V
I_F	Continuous forward current		70	mA
I_{FRM}	Repetitive peak forward current		70	mA
I_{FSM}	Surge non repetitive forward current	$t_p = 10$ ms sinusoidal	1	A
P	Power Dissipation	$T_a = 55^\circ\text{C}$	250	mW
T_{stg}	Storage temperature range		- 65 to +150	$^\circ\text{C}$
T_j	Maximum junction temperature		150	$^\circ\text{C}$
TL	Maximum temperature for soldering		260	$^\circ\text{C}$

THERMAL RESISTANCE

Symbol	Parameter	Value	Unit
$R_{th(j-a)}$	Junction to ambient on printed circuit board FR4 with recommended pad layout	500	°C/W

STATIC ELECTRICAL CHARACTERISTICS ($T_j = 25^\circ\text{C}$ otherwise specified)

Symbol	Parameter	Tests Conditions	Min.	Typ.	Max.	Unit
V_F	Forward voltage drop	$I_F = 1\text{ mA}$			0.41	V
		$I_F = 10\text{ mA}$			0.75	V
		$I_F = 15\text{ mA}$			1	V
I_R	Reverse leakage current	$V_R = 70\text{ V}$			10	μA
V_{BR}	Breakdown voltage	$I_R = 10\text{ }\mu\text{A}$	70			V

ELECTRICAL CHARACTERISTICS

Symbol	Parameter	Tests Conditions		Min.	Typ.	Max.	Unit
C	Junction capacitance	$V_R = 0\text{ V}$	$F = 1\text{ MHz}$			2	pF
R_F	Differential forward resistance	$I_F = 10\text{ mA}$	$F = 100\text{ MHz}$		30		Ohm
L_s	Series inductance				1.5		nH

Fig. 1: Forward voltage drop versus forward current (typical values).

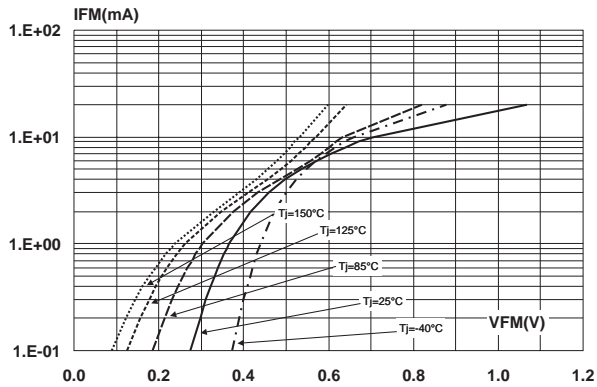


Fig. 2: Reverse leakage current versus reverse voltage applied (typical values).

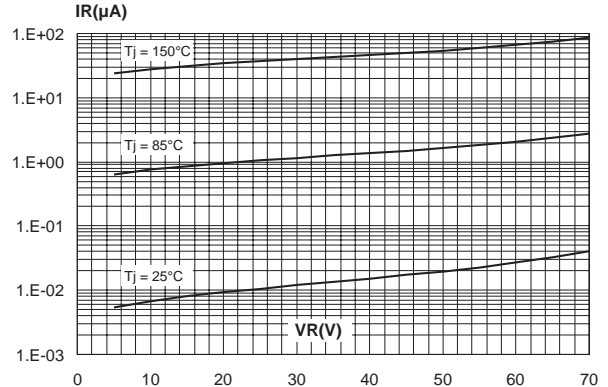


Fig. 3: Differential forward resistance versus forward current (typical values).

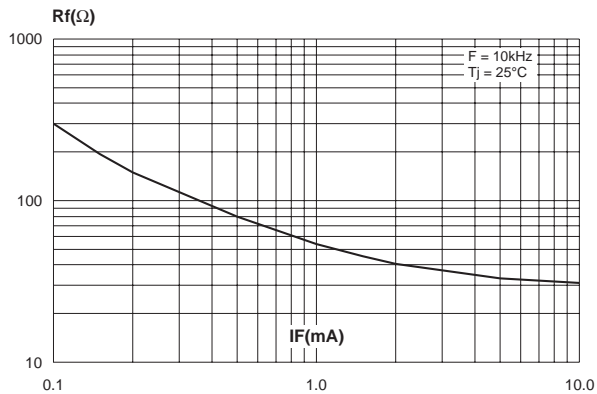


Fig. 4: Junction capacitance versus reverse voltage applied (typical values).

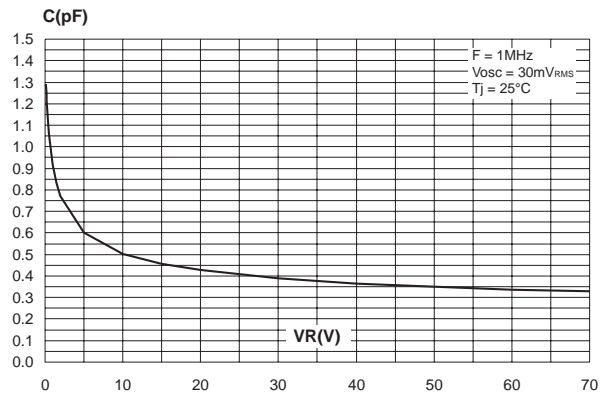


Fig. 5: Variation of thermal impedance junction to ambient versus pulse duration (printed circuit board, epoxy FR4).

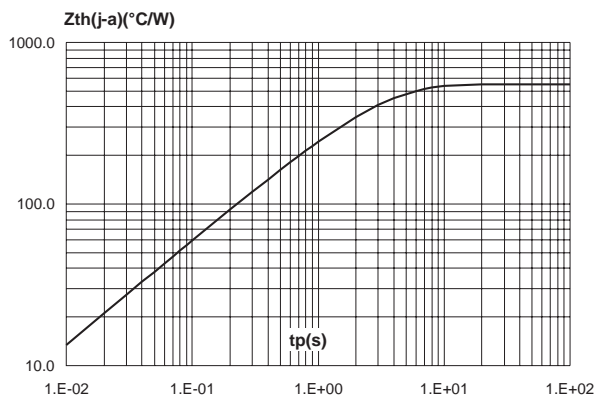
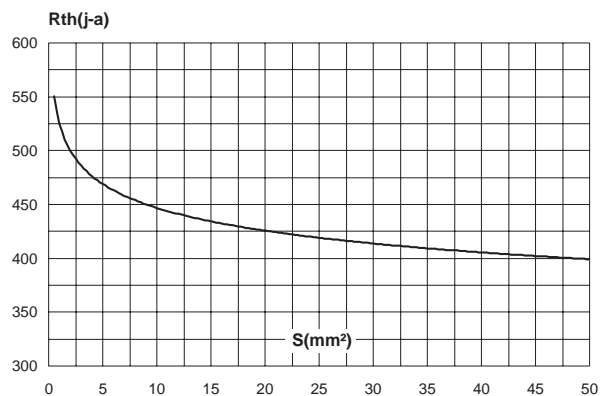
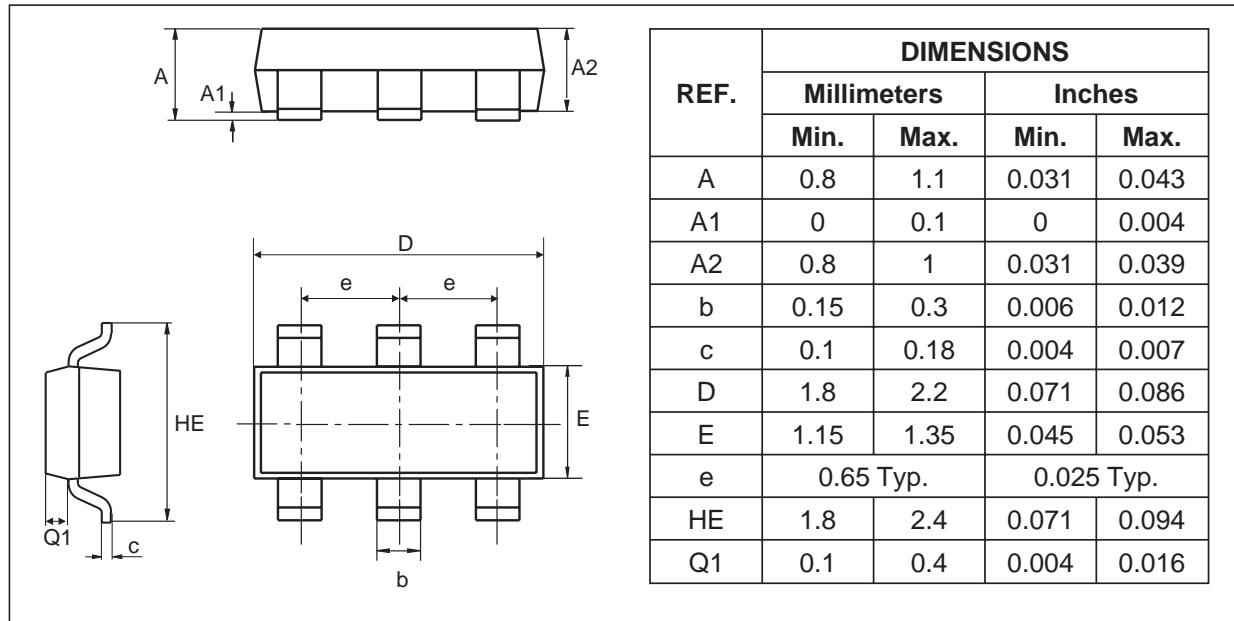


Fig. 6: Thermal resistance junction to ambient versus copper surface under each lead (printed circuit board, epoxy FR4).

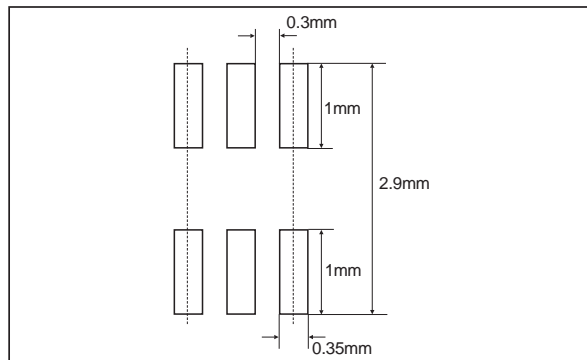


BAS70-07S / BAS70-08S

PACKAGE MECHANICAL DATA SOT323-6L



FOOTPRINT DIMENSIONS (millimeters)



MARKING

Type	Marking	Package	Weight	Base qty	Delivery mode
BAS70-07S	D32	SOT323-6L	0.006g	3000	Tape & reel
BAS70-08S	D33				

- Epoxy meets UL94, V0

Information furnished is believed to be accurate and reliable. However, STMicroelectronics assumes no responsibility for the consequences of use of such information nor for any infringement of patents or other rights of third parties which may result from its use. No license is granted by implication or otherwise under any patent or patent rights of STMicroelectronics. Specifications mentioned in this publication are subject to change without notice. This publication supersedes and replaces all information previously supplied. STMicroelectronics products are not authorized for use as critical components in life support devices or systems without express written approval of STMicroelectronics.

The ST logo is a registered trademark of STMicroelectronics
 © 2001 STMicroelectronics - Printed in Italy - All rights reserved.
 STMicroelectronics GROUP OF COMPANIES
 Australia - Brazil - Canada - China - Finland - France - Germany
 Hong Kong - India - Israel - Italy - Japan - Malaysia - Malta - Morocco - Singapore
 Spain - Sweden - Switzerland - United Kingdom - United States.

<http://www.st.com>

