

High definition AVC, VC-1 and MPEG-2 decoder with advanced security and connectivity

DATA BRIEF

DESCRIPTION

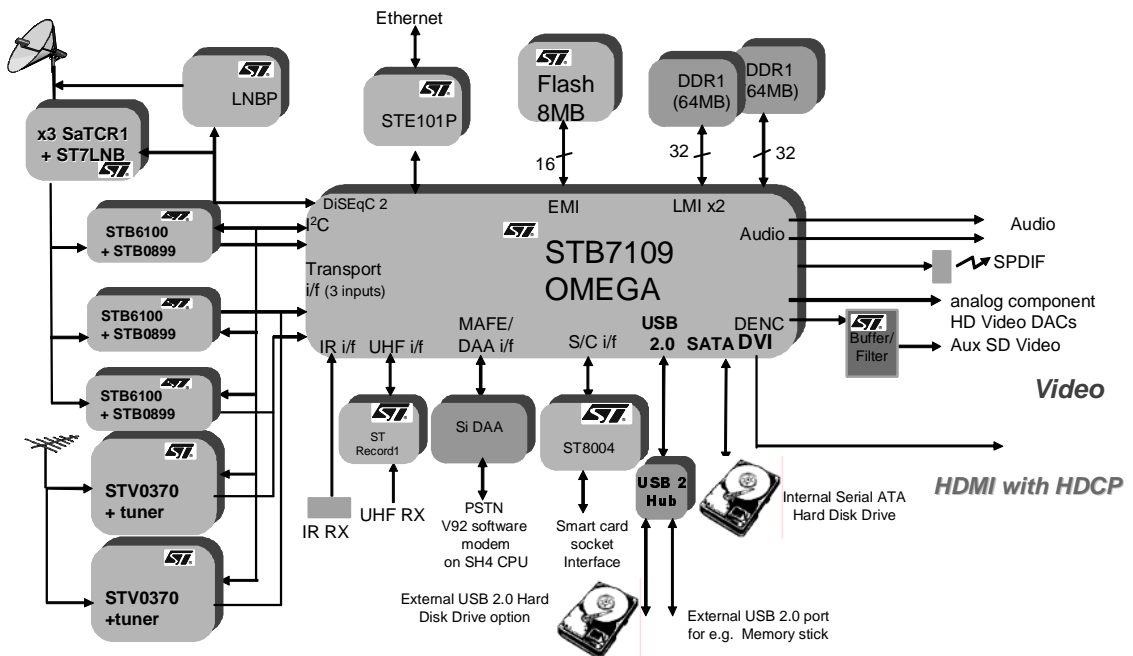
The STB7109 represents a new generation of high definition STB/DVD decoder devices from STMicroelectronics, providing exceptional performance for low-cost HD applications. AVC and VC-1 video decoders, advanced security features in the form of the Secure Video Processor and Windows Media DRM and new connectivity features enable the STB7109 to be a core part of any home networking device.

An embedded Ethernet port allows the STB7109 to be used in IP set-top boxes, while the generic transport interface can be easily connected to ST's range of silicon demodulators. A SATA interface is provided for HDD applications.

Package (35 x 35 PGBA)



Figure 1. H.264/AVC low-bit rate set-top box decoder



FEATURES

- 300 MHz SH4-202 CPU core
- Linux and WindowsCE capable
- Transport stream merger/router
- Programmable transport stream interface (PTI)
- Advanced video decoder
 - H264/AVC HP@L4 and MPEG2 MP@HL
 - Microsoft VC1
- Graphics engine/blitter
- Advanced security
 - Secure Video Processor (SVP)
 - Windows Media DRM.
- Dual display composition
 - High definition and standard definition
- Main and auxiliary output video DACs
- DVI, HDMI output
- Digital video & audio inputs
- Programmable audio decoder
 - MPEG1 I/II, MP3, Dolby® digital, AAC LC, high efficiency AAC
- USB 2.0 host controller
- DVR capable with a serial ATA HDD interface.

PART NUMBERING**Table 1. Order codes**

Part Number	Description
STB7109	HD AVC/VC1 decoder
STB7109-Mboard	Evaluation platform

REVISION HISTORY**Table 2. Revision history**

Date	Revision	Description of changes
September-2005	1	First issue

Information furnished is believed to be accurate and reliable. However, STMicroelectronics assumes no responsibility for the consequences of use of such information nor for any infringement of patents or other rights of third parties which may result from its use. No license is granted by implication or otherwise under any patent or patent rights of STMicroelectronics. Specifications mentioned in this publication are subject to change without notice. This publication supersedes and replaces all information previously supplied. STMicroelectronics products are not authorized for use as critical components in life support devices or systems without express written approval of STMicroelectronics.

The ST logo is a registered trademark of STMicroelectronics.

All other names are the property of their respective owners

© 2005 STMicroelectronics - All rights reserved

STMicroelectronics group of companies

Australia - Belgium - Brazil - Canada - China - Czech Republic - Finland - France - Germany - Hong Kong - India - Israel - Italy - Japan - Malaysia - Malta - Morocco - Singapore - Spain - Sweden - Switzerland - United Kingdom - United States of America

www.st.com